

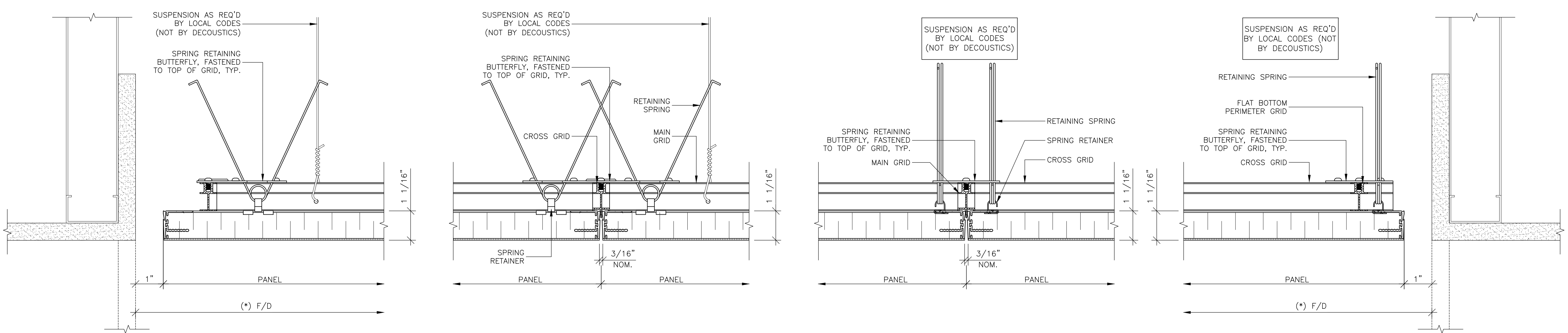
**GENERAL NOTES:**

- (\*) PLEASE SUPPLY FIELD DIMENSIONS TO THE NEAREST 1/16". DECOUSTICS WILL CALCULATE PANEL SIZES.
- PLEASE VERIFY AND CONFIRM ALL DIMENSIONS, MOUNTING METHODS, AND DETAILS.
- ALL PANEL PENETRATIONS FOR LIGHT FIXTURES, ELECTRICAL OUTLETS, ETC. TO BE FIELD CUT BY OTHERS. (NOT BY DECOUSTICS)
- ALL GRILLES, DIFFUSERS, LIGHTS ETC. TO BE SUPPORTED INDEPENDENTLY OF CEILENCIO GRID AND ACOUSTICAL PANELS.
- GRID LOCATION AND SPRING DIRECTION/ORIENTATION MAY NOT BE EXACTLY AS SHOWN. INSTALLATION DRAWINGS WILL BE SENT WITH GRID.
- ALL SPRINGS, SPRING RETAINERS, BUTTERFLIES AND GRID TO BE ASSEMBLED ON SITE BY CONTRACTOR.
- THE VAPOR BARRIER ON DECOUSTICS PANELS MUST BE REPAIRED OR REPLACED IF IT IS DAMAGED IN ANY WAY DURING INSTALLATION OR FIELD CUTTING. FAILURE TO DO THIS WILL RESULT IN PREMATURE SOILING OF THE PANEL FACE IN THE AREA OF THE DAMAGED OR MISSING VAPOR BARRIER.
- THE FINISHES USED ON DECOUSTICS CEILING PANELS ARE DIRECTIONAL. THE BACK OF EACH PANEL WILL BE MARKED TO SHOW THE CORRECT ORIENTATION FOR INSTALLATION.
- DO NOT PAINT OVER CEILING PANEL SURFACE, SEE CLEANING AND MAINTENANCE INSTRUCTIONS FOR CLARO FINISH.
- DO NOT BUTT PANELS NEXT TO EACH OTHER DURING INSTALLATION. ALLOW 1/16" BETWEEN PANELS TO ALLOW FOR PROPER ALIGNMENT.
- FOR ADDITIONAL PANEL INSTALLATION DETAILS, SEE DATA SHEETS.

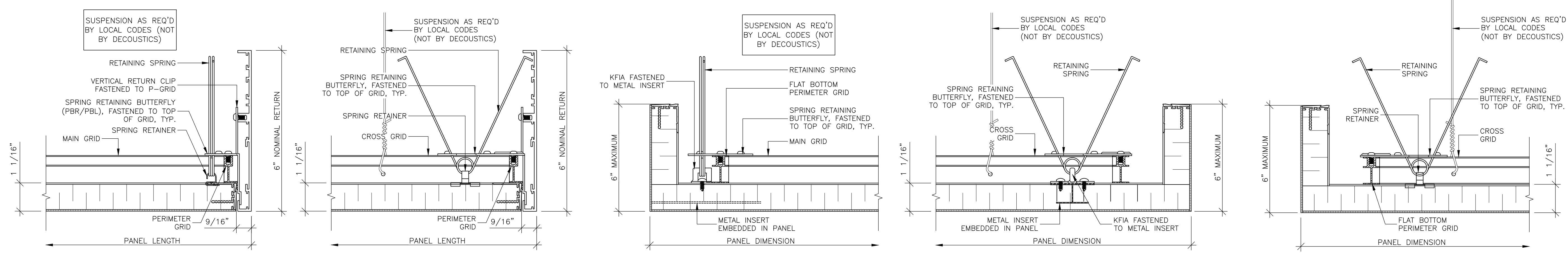
**PANEL**

PANEL TYPE: ME-VCATT 1 1/16" THICK FLAT CEILING PANELS  
 MOUNTING: CEILENCIO CUSTOM  
 EDGE DETAIL: CLARO FINISHED EXTRUDED ALUMINUM, SQUARE EDGES, 3/16" DEFINED PANEL JOINTS AND 1" REVEAL AROUND PERIMETER OF CEILING  
 FINISH: STANDARD WHITE CLARO

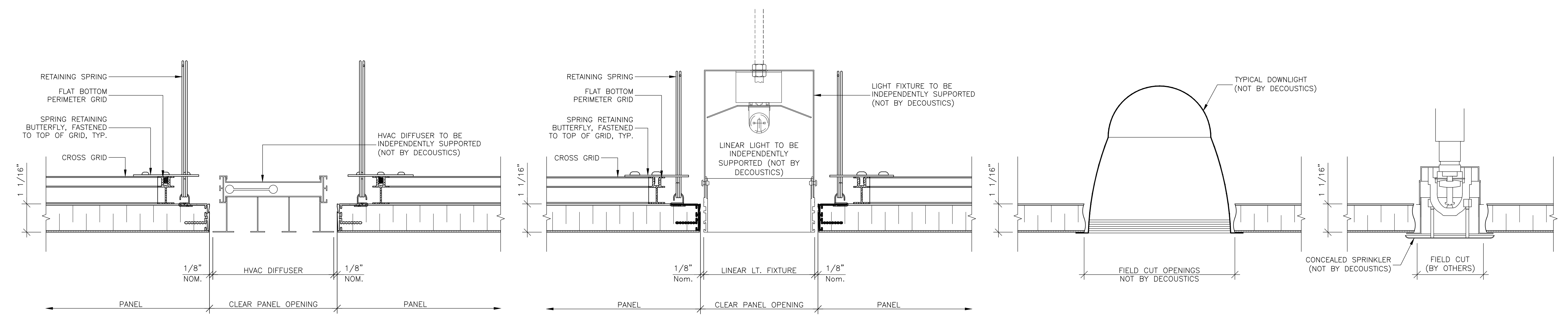
PANEL TYPE: ME-VCATT 1 1/16" THICK FLAT CEILING PANELS  
 MOUNTING: CEILENCIO CUSTOM  
 EDGE DETAIL: CLARO FINISHED EXTRUDED ALUMINUM, SQUARE EDGES, 3/16" DEFINED PANEL JOINTS AND 1" REVEAL AROUND PERIMETER OF CEILING  
 FINISH: STANDARD WHITE CLARO



1 PERIMETER DET. SCALE: 6" = 1'-0"  
 2 DEFINED JOINT DET. SCALE: 6" = 1'-0"  
 3 DEFINED JOINT DET. SCALE: 6" = 1'-0"  
 4 PERIMETER DET. SCALE: 6" = 1'-0"



5 FIELD APPLIED RETURN SCALE: 6" = 1'-0"  
 6 FIELD APPLIED RETURN SCALE: 6" = 1'-0"  
 7 KFIA TYPICAL DETAIL SCALE: 6" = 1'-0"  
 8 KFIA TYPICAL DETAIL SCALE: 6" = 1'-0"  
 9 BUILT-UP RETURN SCALE: 6" = 1'-0"



10 DETAIL @ DIFFUSER SCALE: 6" = 1'-0"  
 11 DETAIL @ LINEAR LT. FIXTURE SCALE: 6" = 1'-0"  
 12 DETAIL @ DWN. LT. SCALE: 6" = 1'-0"  
 13 DETAIL @ SPRINKLER SCALE: 6" = 1'-0"

**CLEAN-AIR CLARO - CEILENCIO**

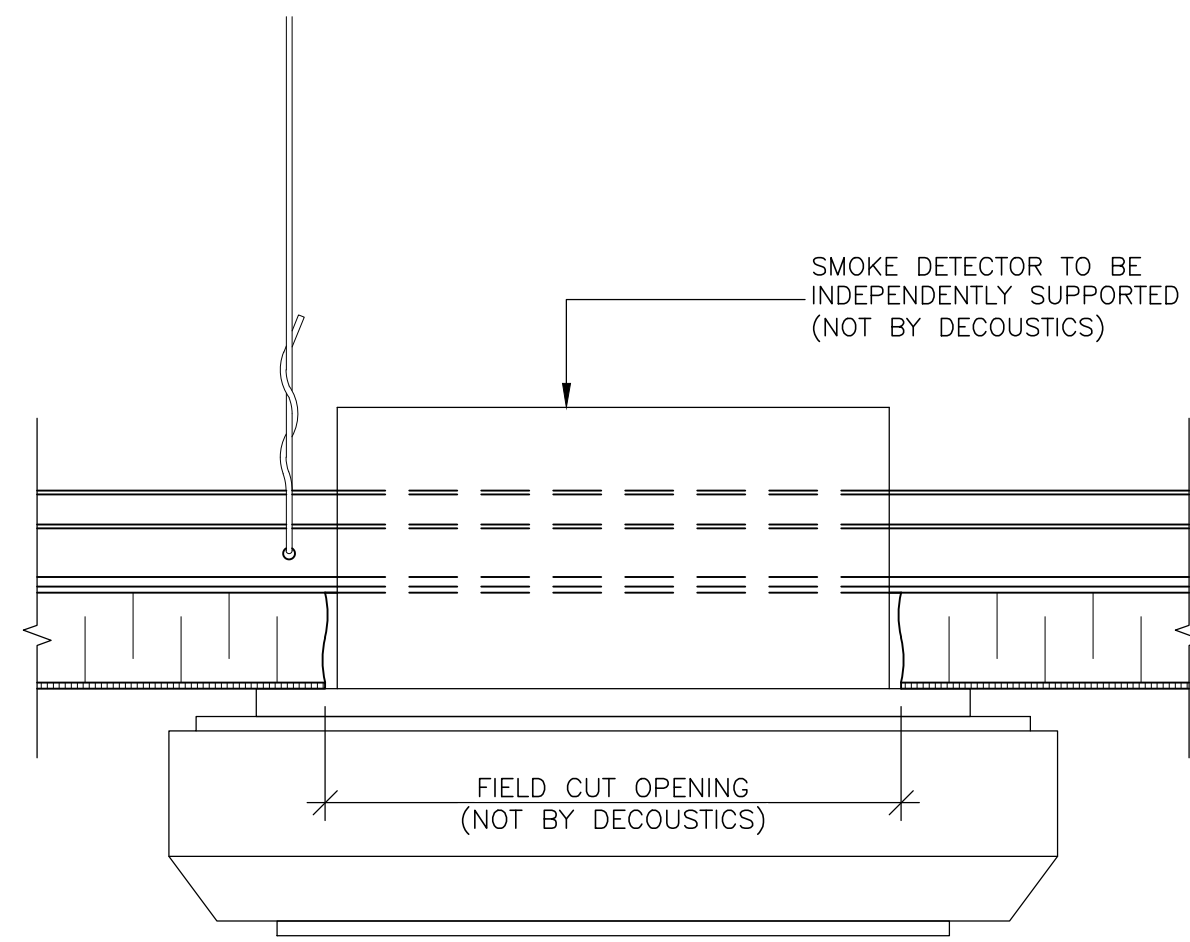
0	REVISION	28 APRIL 2020
REV.	PURPOSE	DATE

THIS DRAWING IS THE SOLE PROPERTY OF DECOUSTICS LIMITED AND CONTAINS CONFIDENTIAL INFORMATION AND IS TO BE USED ONLY UNDER EXPRESS AUTHORITY GIVEN, IN WRITING, BY DECOUSTICS LIMITED.

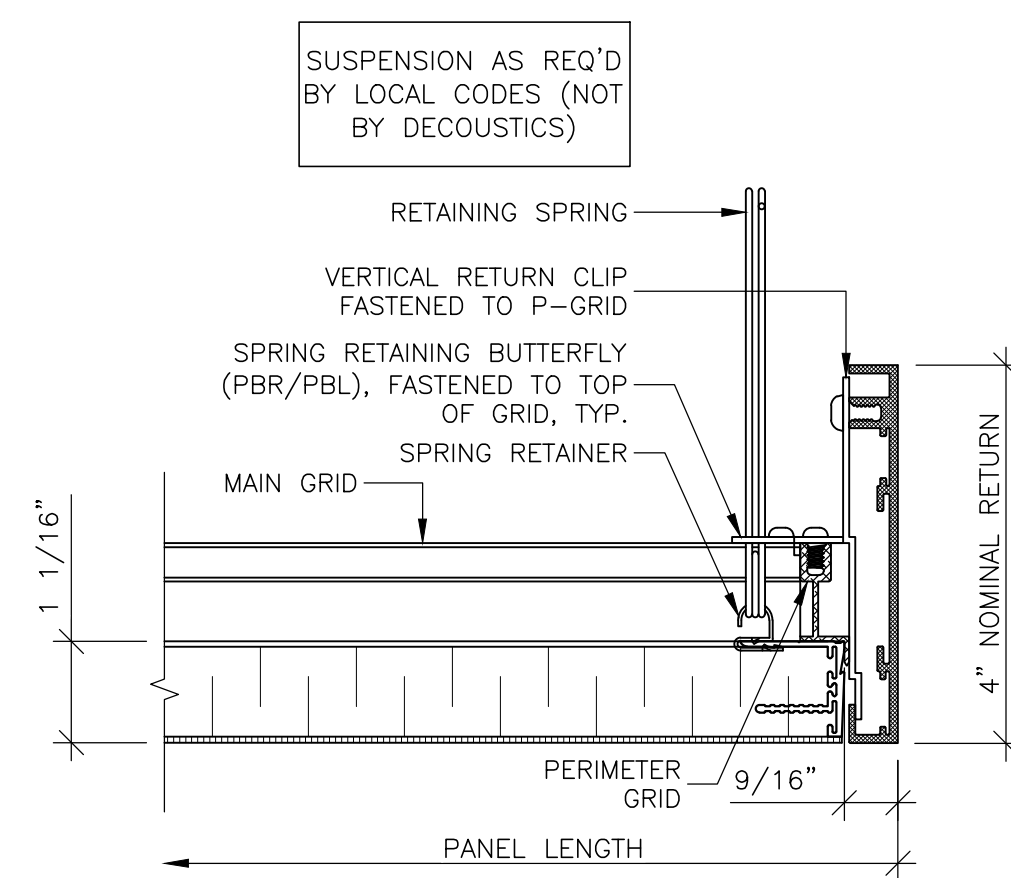
**decoustics**  
 SAINT-GOBAIN

61 Royal Group Crescent, Woodbridge  
 Ontario L4H 1X9 Canada  
 Toll Free: 800-387-3809  
 Main: 905-652-5200  
 Fax: 905-652-2505

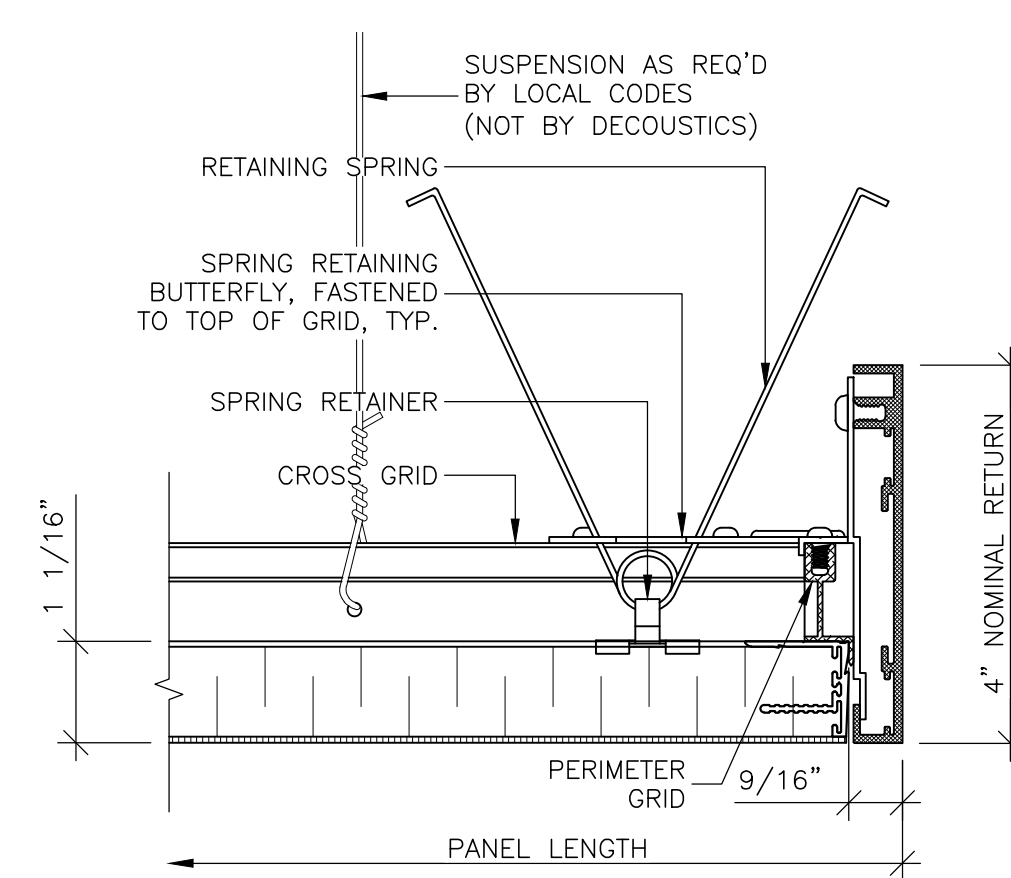
DRAWING	DRAWN BY JL	DWG. NO.
	CHECKED BY SP	<b>D1</b>
ARCHITECT	PROJECT # #####	
	ARCHITECT	1 OF X



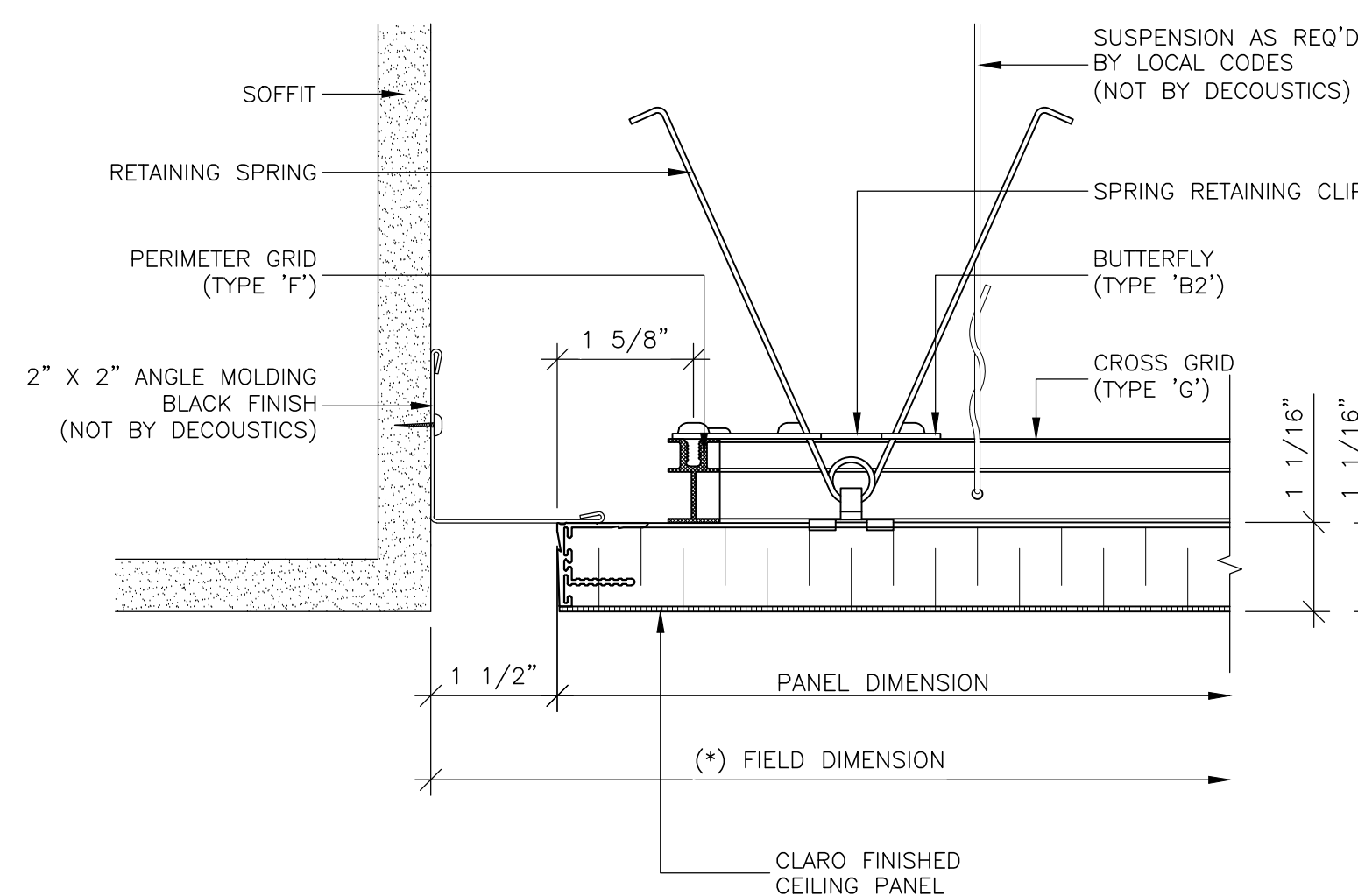
1  
D2  
DETAIL @ SMK. DETECTOR  
SCALE: 6" = 1'-0"



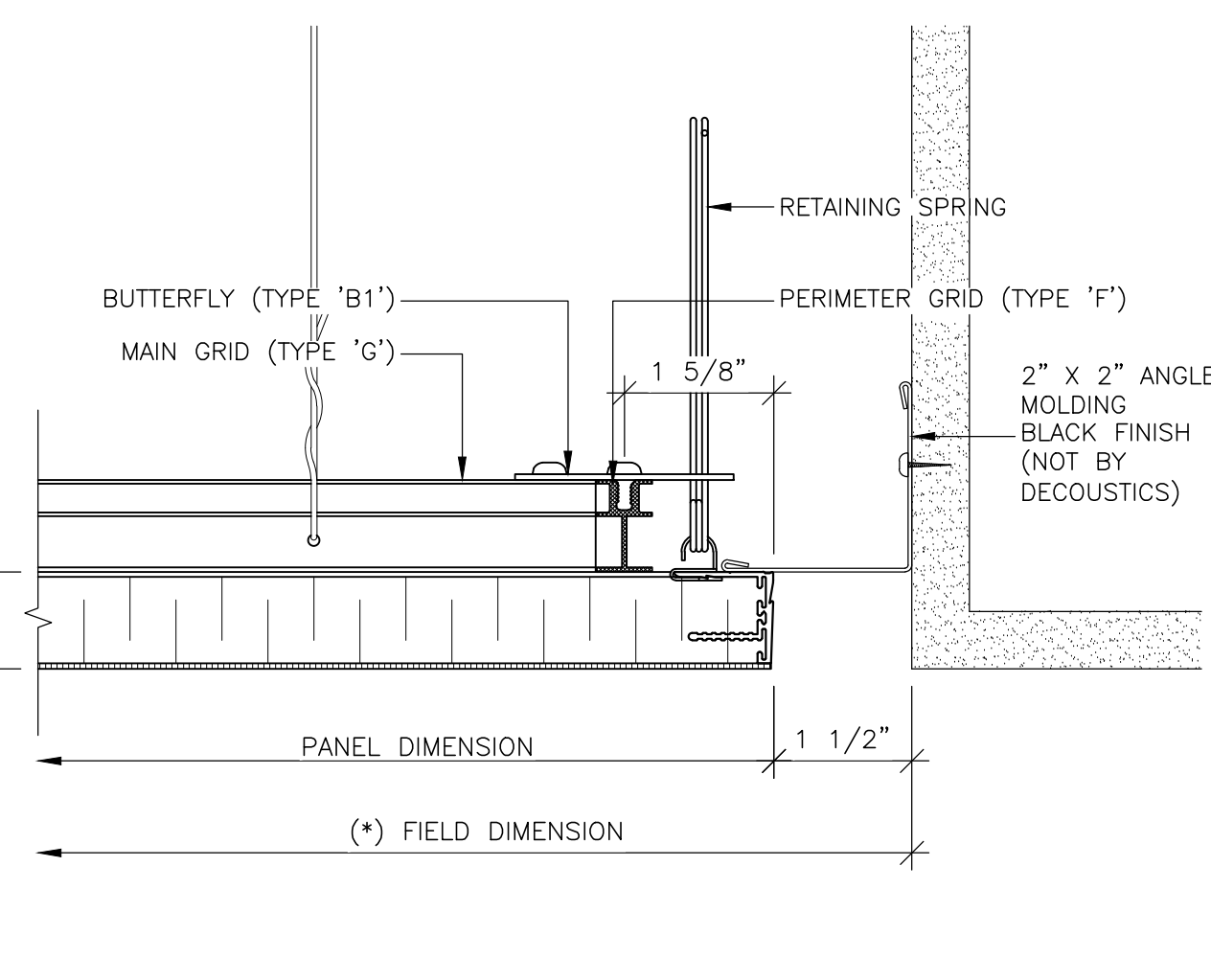
2  
D2  
FIELD APPLIED RETURN  
SCALE: 6" = 1'-0"



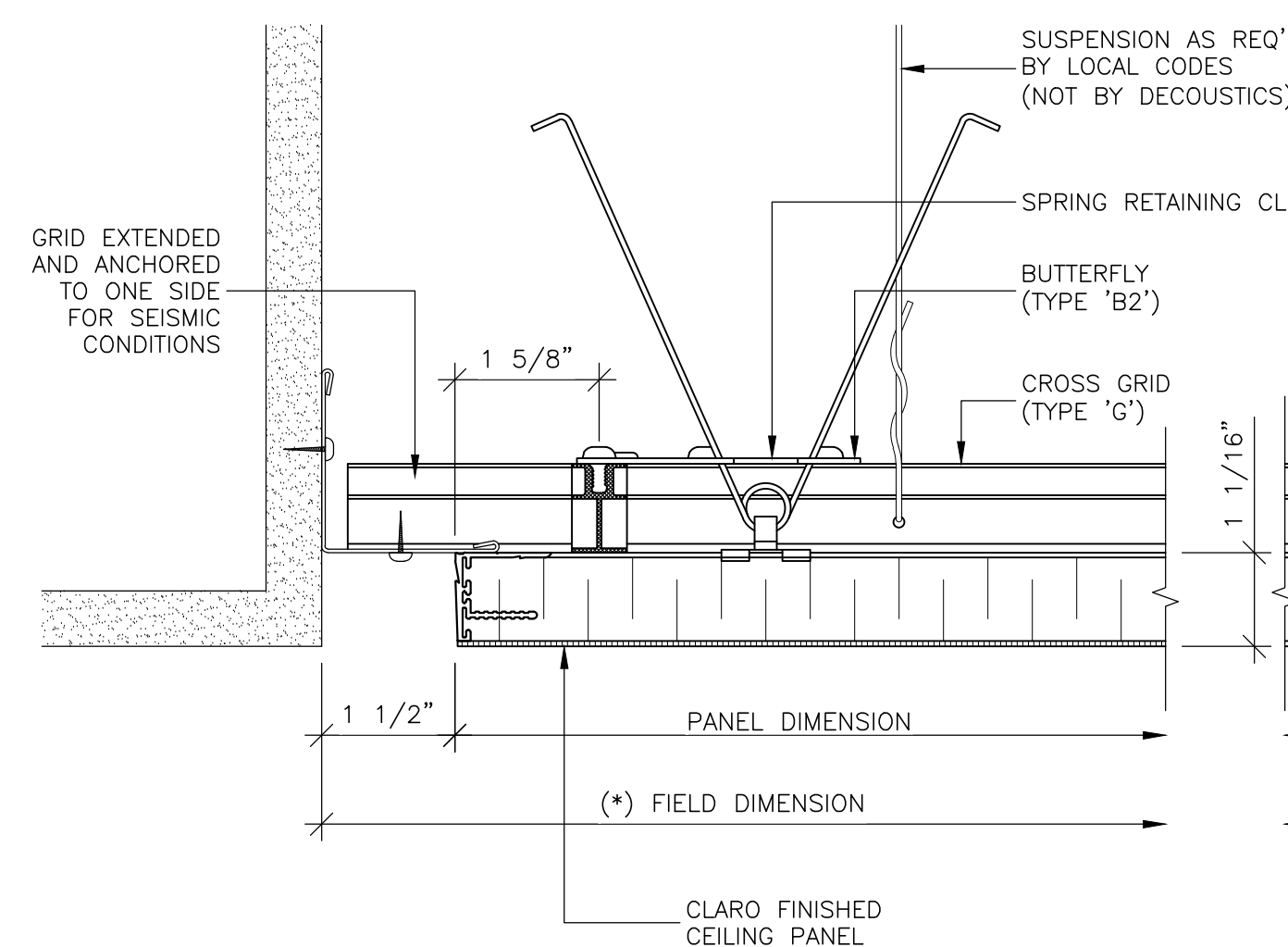
3  
D2  
FIELD APPLIED RETURN  
SCALE: 6" = 1'-0"



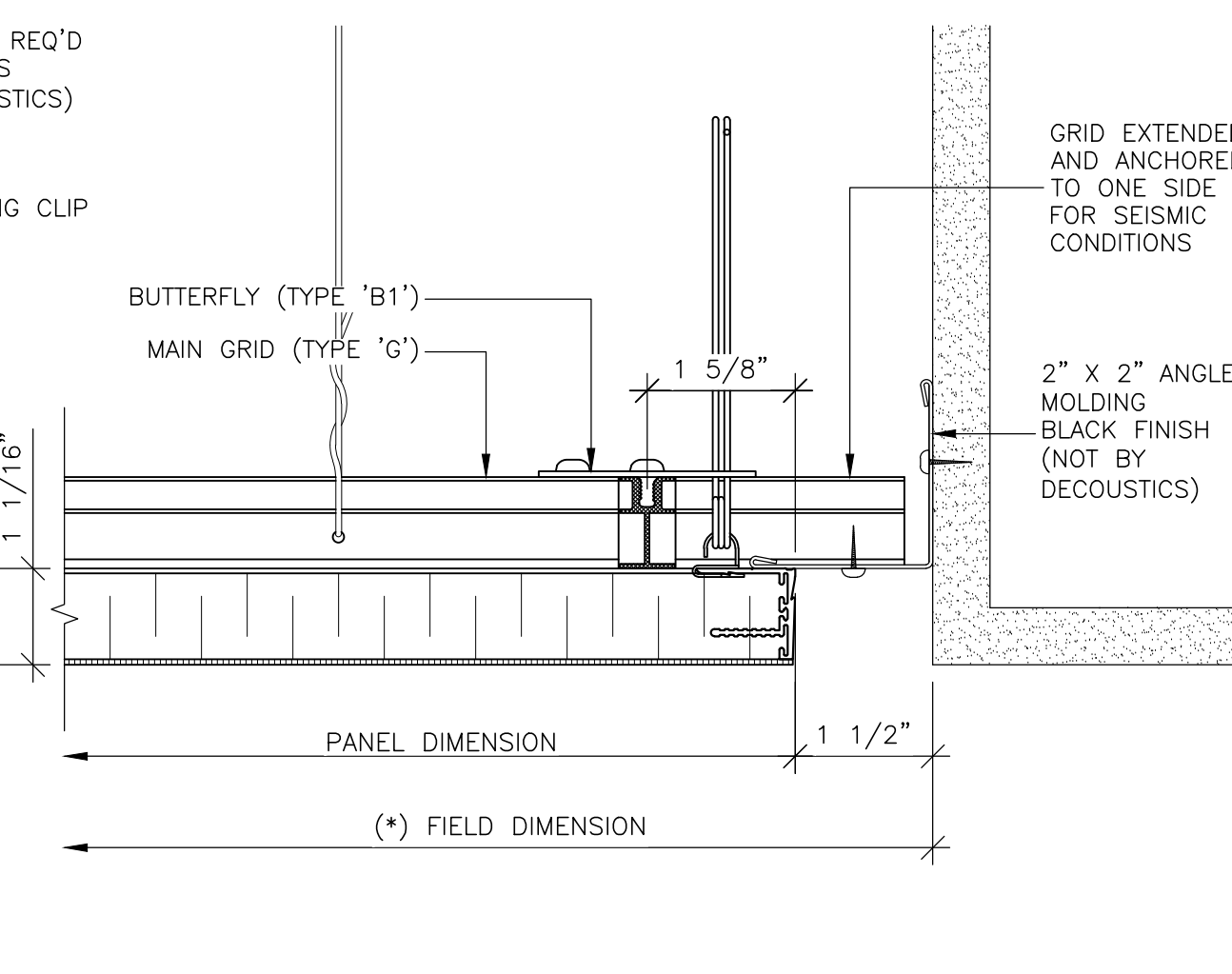
4  
D2  
PERIMETER DET.  
SCALE: 6" = 1'-0"



5  
D2  
PERIMETER DET.  
SCALE: 6" = 1'-0"



6  
D2  
PERIMETER DET.  
SCALE: 6" = 1'-0"

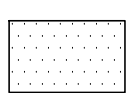
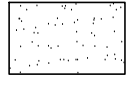


7  
D2  
PERIMETER DET.  
SCALE: 6" = 1'-0"

GENERAL NOTES:

- (\*) PLEASE SUPPLY FIELD DIMENSIONS TO THE NEAREST 1/16". DECOUSTICS WILL CALCULATE PANEL SIZES.
- PLEASE VERIFY AND CONFIRM ALL DIMENSIONS, MOUNTING METHODS, AND DETAILS.
- ALL PANEL PENETRATIONS FOR LIGHT FIXTURES, ELECTRICAL OUTLETS, ETC. TO BE FIELD CUT BY OTHERS. (NOT BY DECOUSTICS)
- ALL GRILLES, DIFFUSERS, LIGHTS ETC. TO BE SUPPORTED INDEPENDENTLY OF CEILENCIO GRID AND ACOUSTICAL PANELS.
- GRID LOCATION AND SPRING DIRECTION/ORIENTATION MAY NOT BE EXACTLY AS SHOWN. INSTALLATION DRAWINGS WILL BE SENT WITH GRID.
- ALL SPRINGS, SPRING RETAINERS, BUTTERFLIES AND GRID TO BE ASSEMBLED ON SITE BY CONTRACTOR.
- THE VAPOR BARRIER ON DECOUSTICS PANELS MUST BE REPAIRED OR REPLACED IF IT IS DAMAGED IN ANY WAY DURING INSTALLATION OR FIELD CUTTING. FAILURE TO DO THIS WILL RESULT IN PREMATURE SOILING OF THE PANEL FACE IN THE AREA OF THE DAMAGED OR MISSING VAPOR BARRIER.
- THE FINISHES USED ON DECOUSTICS CEILING PANELS ARE DIRECTIONAL. THE BACK OF EACH PANEL WILL BE MARKED TO SHOW THE CORRECT ORIENTATION FOR INSTALLATION.
- DO NOT PAINT OVER CEILING PANEL SURFACE, SEE CLEANING AND MAINTENANCE INSTRUCTIONS FOR CLARO FINISH.
- DO NOT BUTT PANELS NEXT TO EACH OTHER DURING INSTALLATION. ALLOW 1/16" BETWEEN PANELS TO ALLOW FOR PROPER ALIGNMENT.
- FOR ADDITIONAL PANEL INSTALLATION DETAILS, SEE DATA SHEETS.

PANEL

-  PANEL TYPE: ME-VCATT 1 1/16" THICK FLAT CEILING PANELS  
MOUNTING: CEILENCIO CUSTOM  
EDGE DETAIL: CLARO FINISHED EXTRUDED ALUMINUM, SQUARE EDGES, 3/16" DEFINED PANEL JOINTS AND 1" REVEAL AROUND PERIMETER OF CEILING  
FINISH: STANDARD WHITE CLARO
-  PANEL TYPE: ME-VCATT 1 1/16" THICK FLAT CEILING PANELS  
MOUNTING: CEILENCIO CUSTOM  
EDGE DETAIL: CLARO FINISHED EXTRUDED ALUMINUM, SQUARE EDGES, 3/16" DEFINED PANEL JOINTS AND 1" REVEAL AROUND PERIMETER OF CEILING  
FINISH: STANDARD WHITE CLARO

CLEAN-AIR CLARO -  
CEILENCIO

0	REVISION	22 APRIL 2020
REV.	PURPOSE	DATE

THIS DRAWING IS THE SOLE PROPERTY OF DECOUSTICS LIMITED AND CONTAINS CONFIDENTIAL INFORMATION AND IS TO BE USED ONLY UNDER EXPRESS AUTHORITY GIVEN, IN WRITING, BY DECOUSTICS LIMITED.

**decoustics**  
SAINT-GOBAIN

61 Royal Group Crescent, Woodbridge  
Ontario L4H 1X9 Canada  
Toll Free: 800-387-3809  
Main: 905-652-5200  
Fax: 905-652-2505

DRAWING	DRAWN BY JL	DWG. NO.
DRAWING TITLE	CHECKED BY SP	<b>D2</b>
ARCHITECT	PROJECT # #####	
ARCHITECT		1 OF X