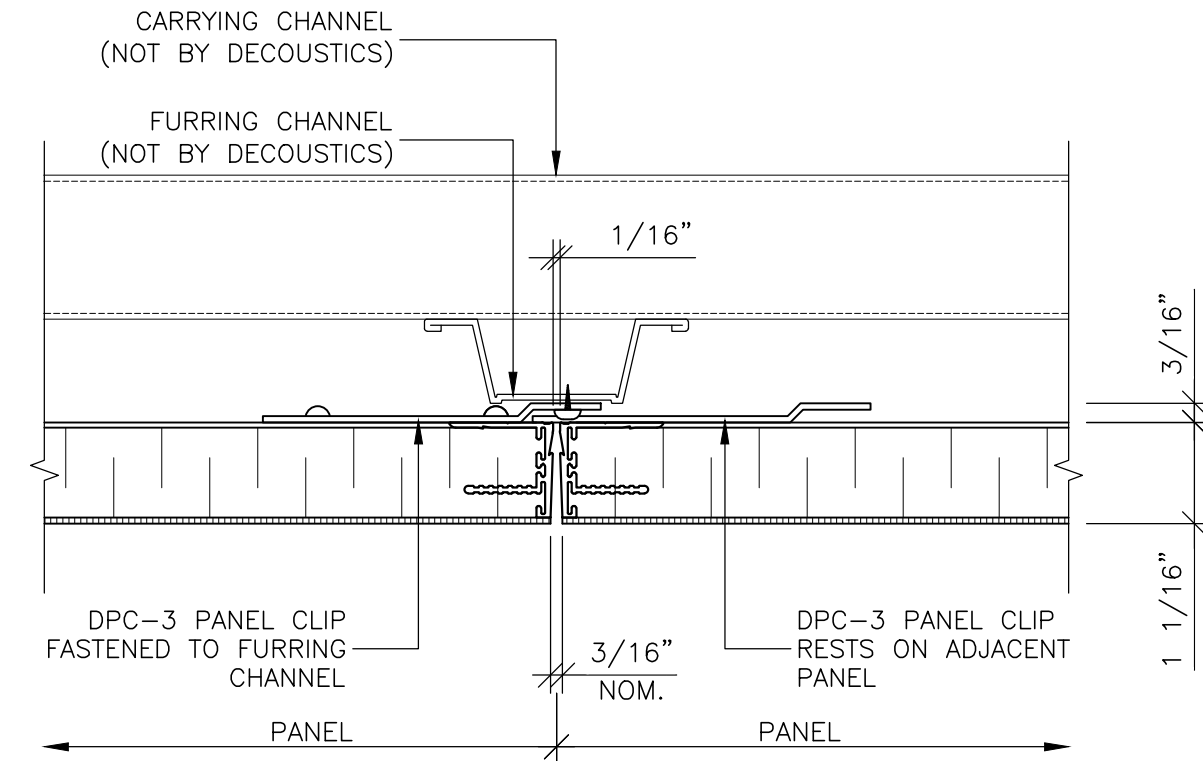
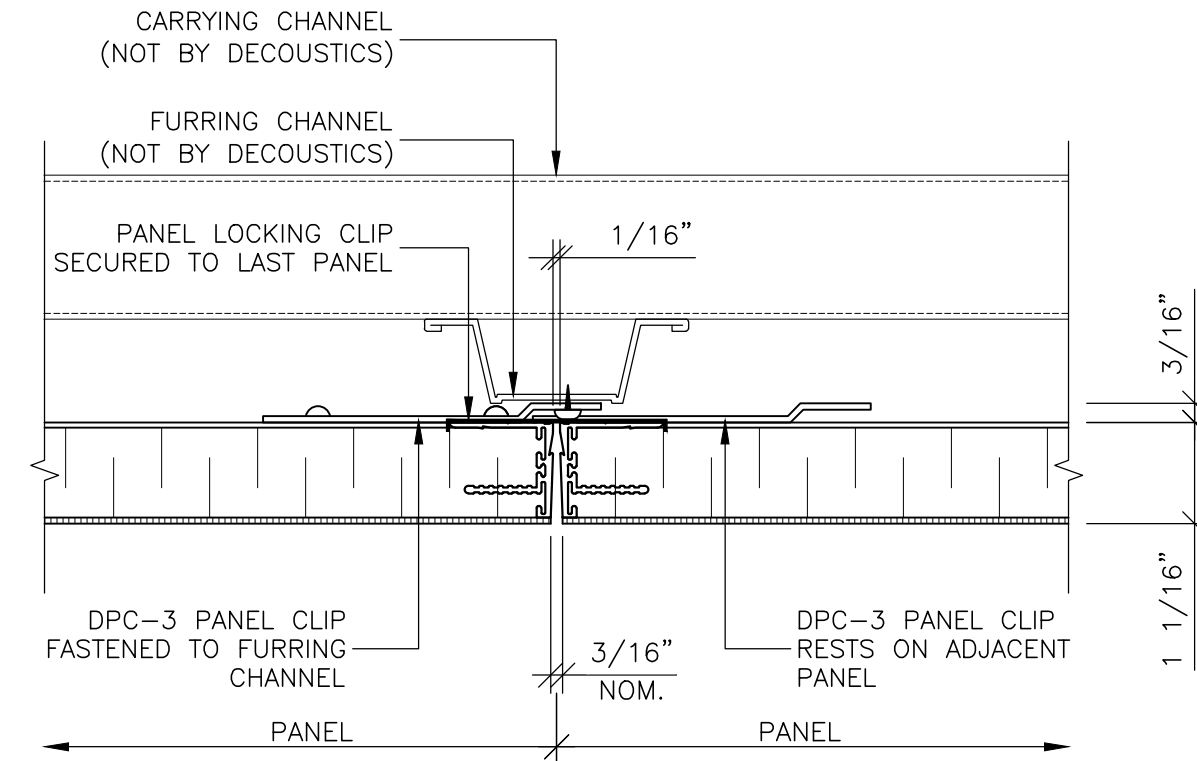


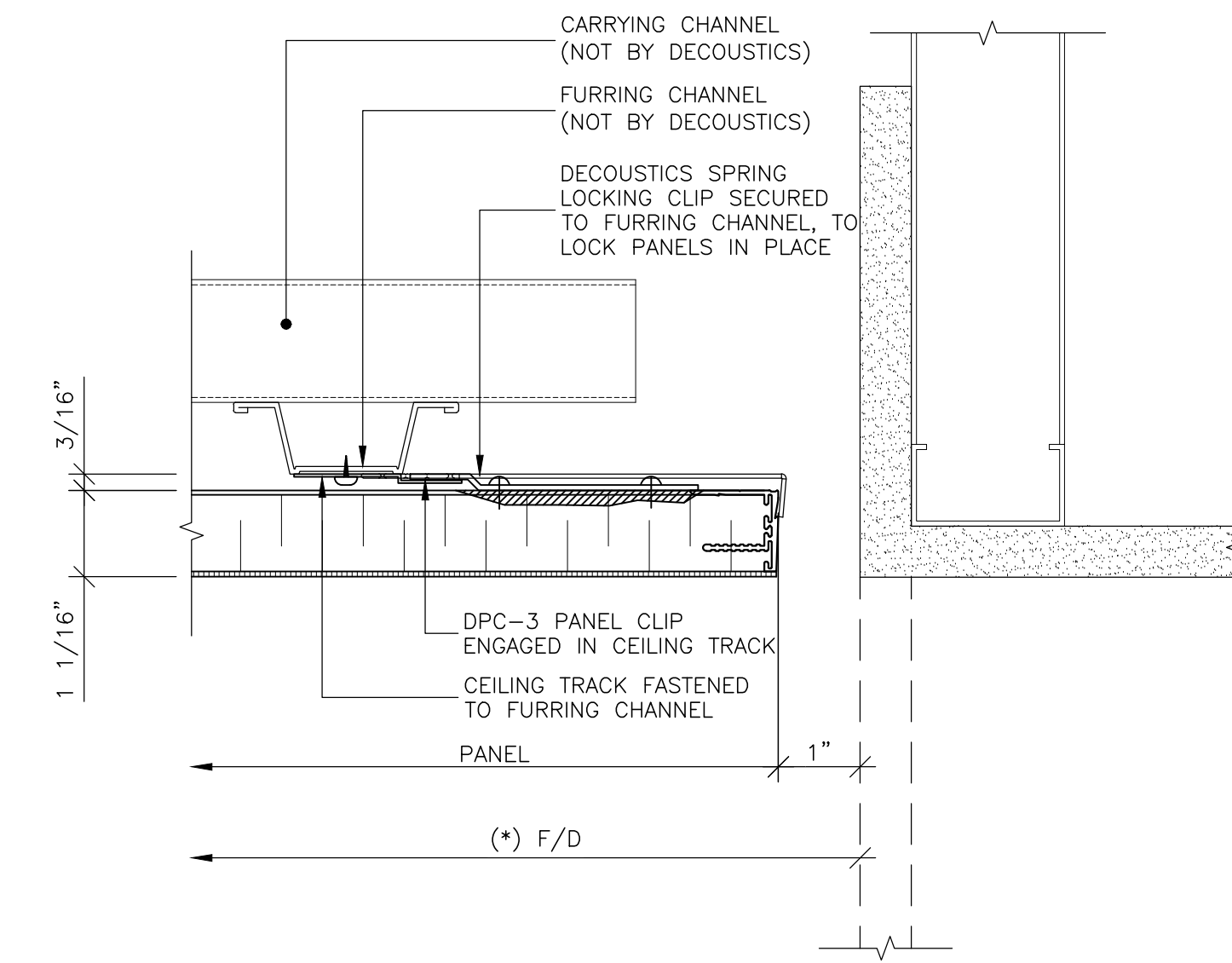
1 PERIMETER DETAIL
SCALE: 6" = 1'-0"



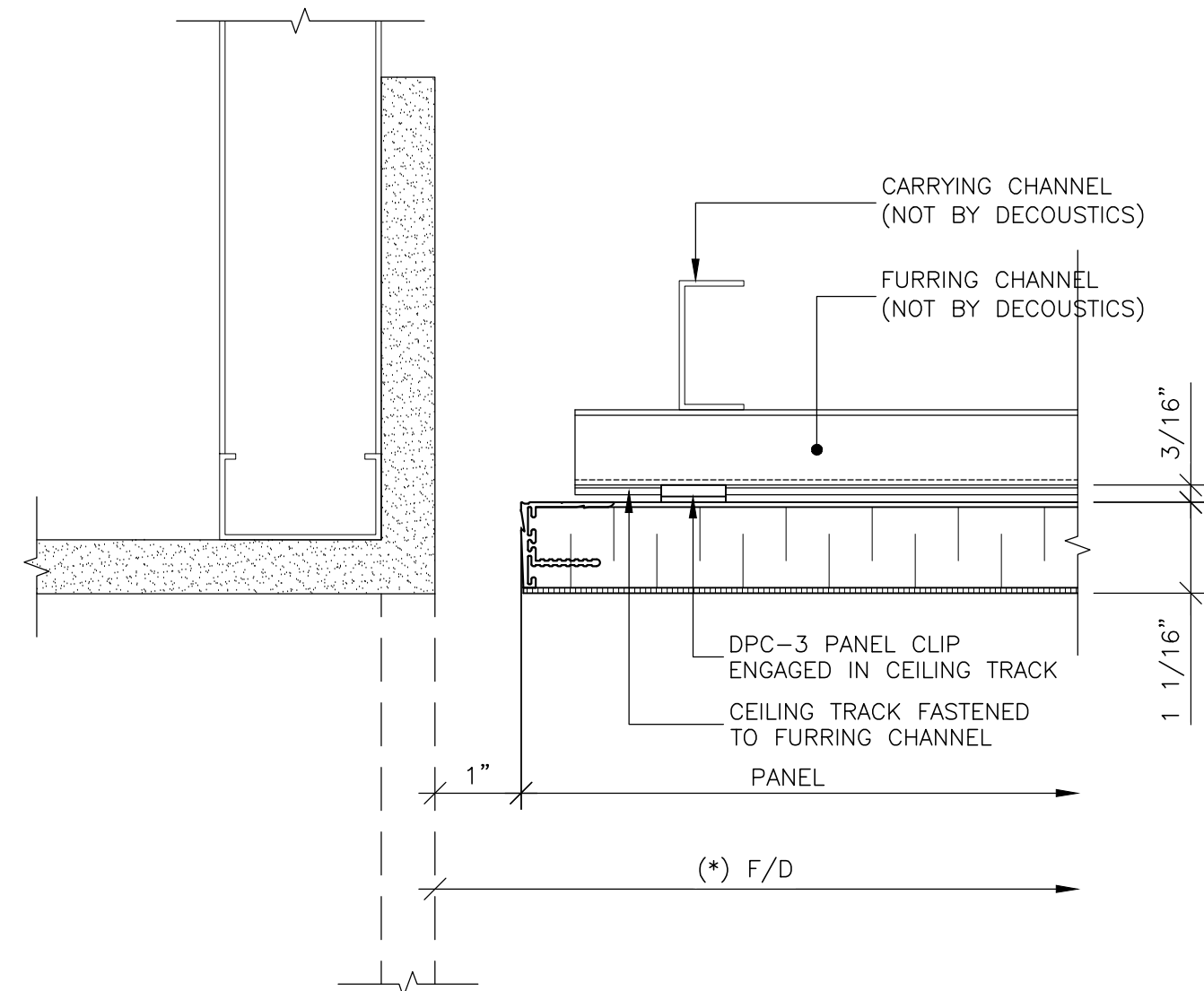
2 DEFINED JOINT DET.
SCALE: 6" = 1'-0"



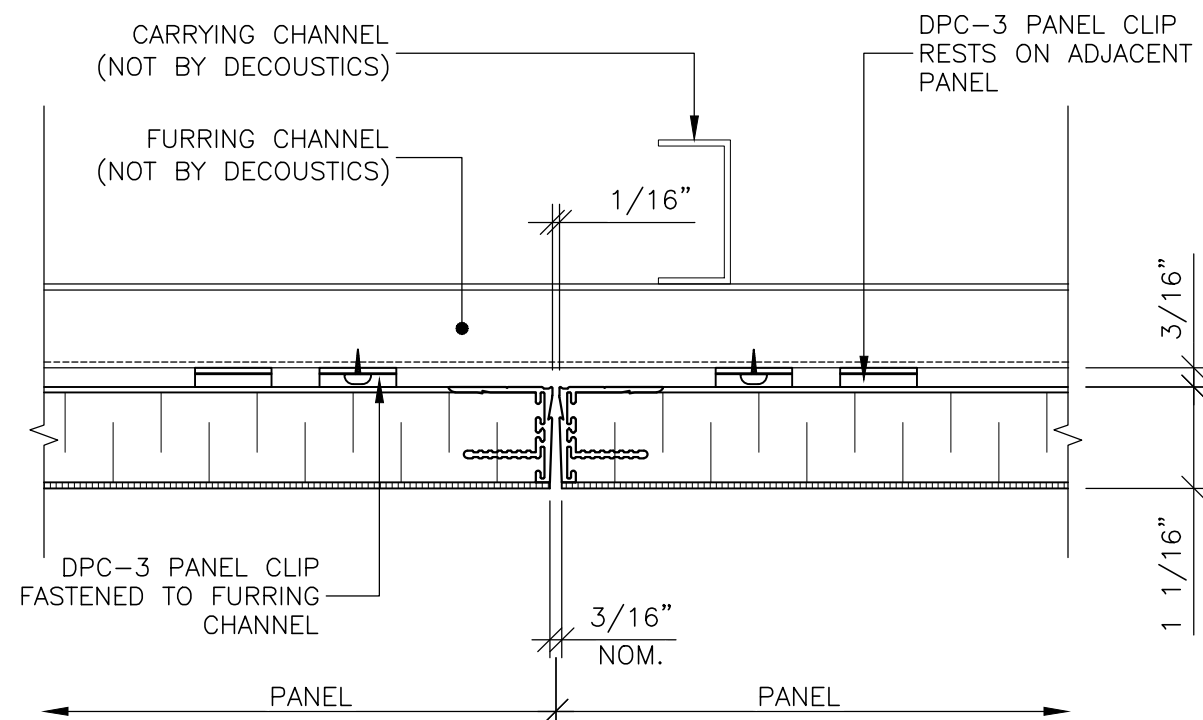
3 DETAIL @ LOCKING CLIP
SCALE: 6" = 1'-0"



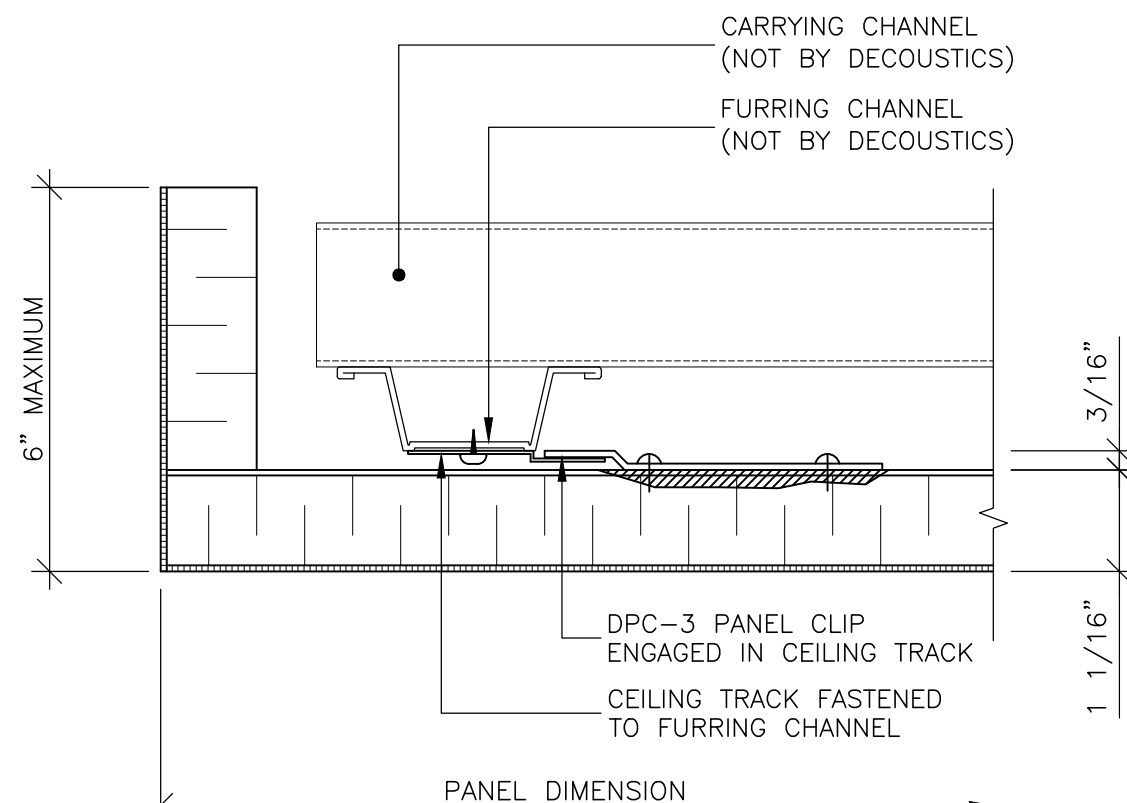
4 PERIMETER DETAIL
SCALE: 6" = 1'-0"



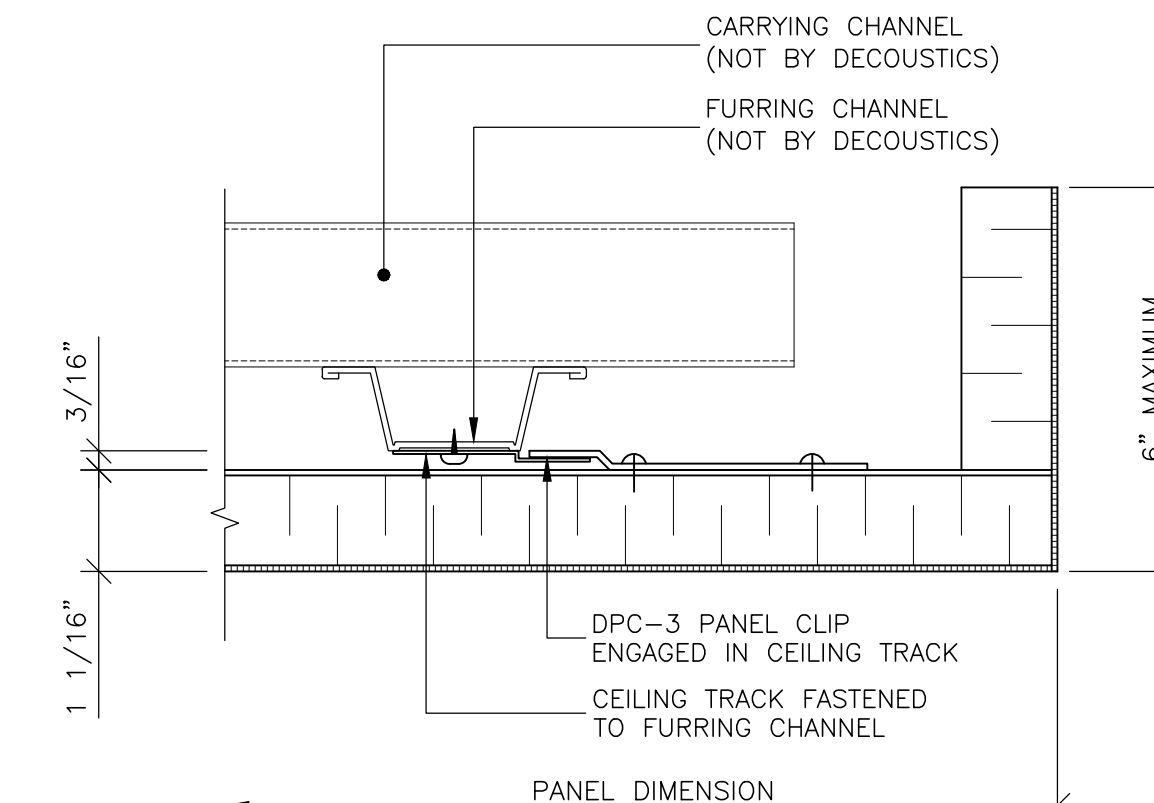
5 PERIMETER DETAIL
SCALE: 6" = 1'-0"



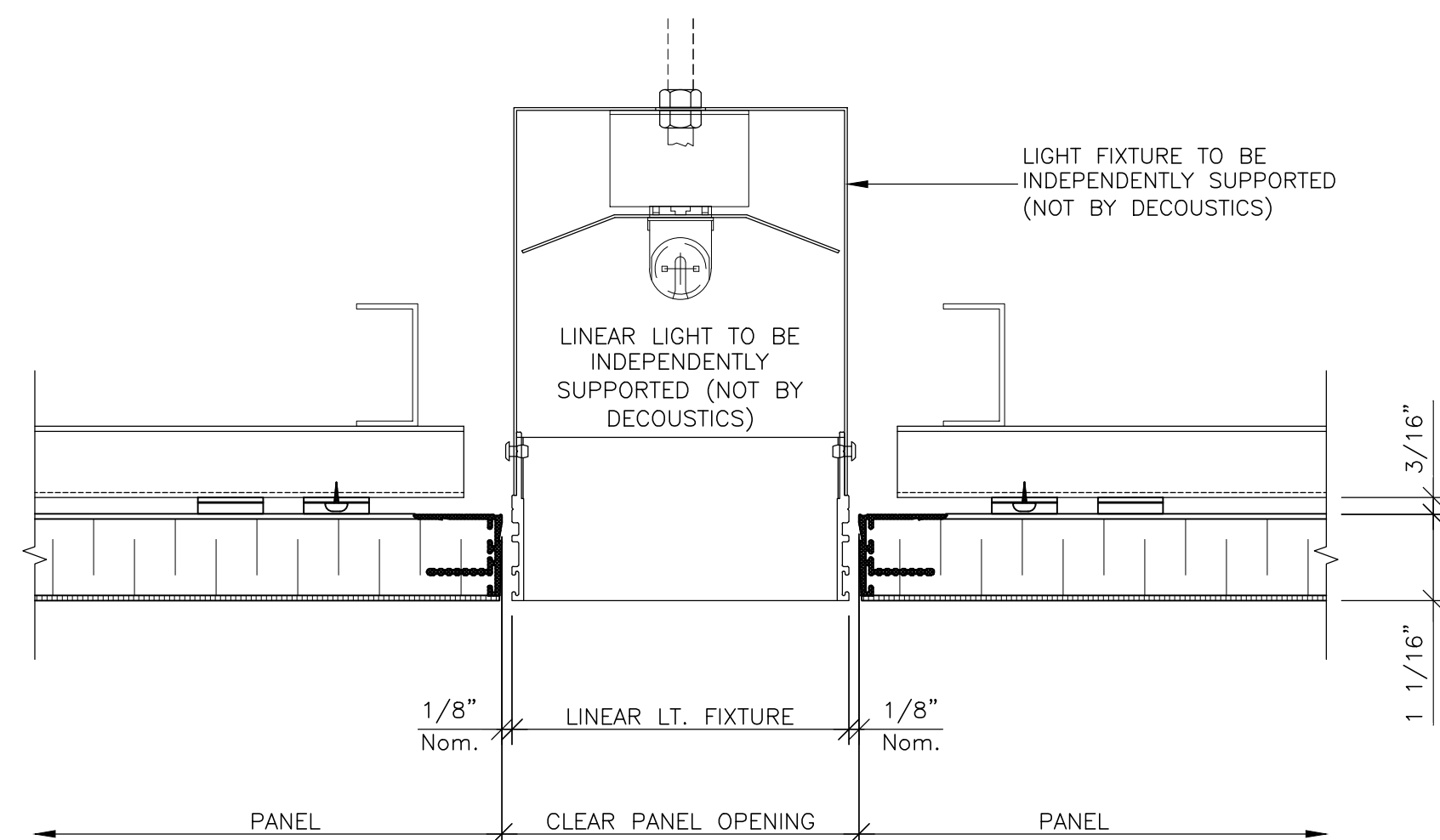
6 DEFINED JOINT DET.
SCALE: 6" = 1'-0"



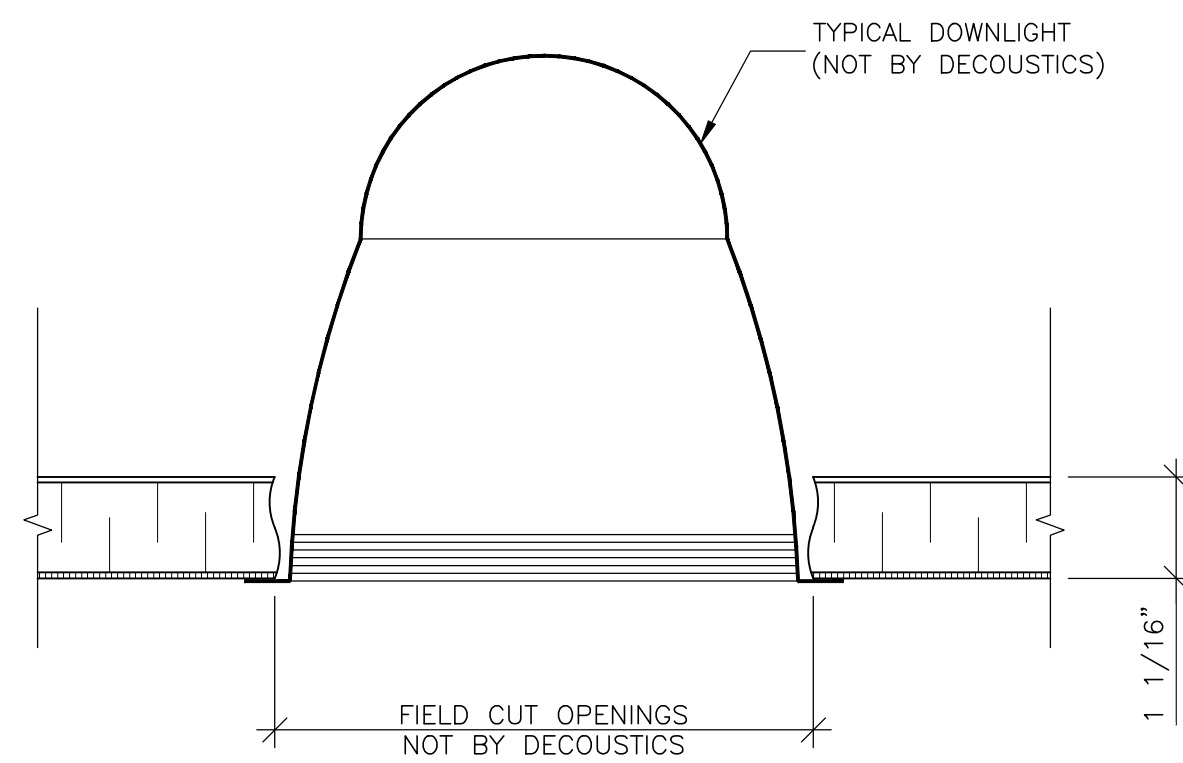
7 BUILT - UP RETURN
SCALE: 6" = 1'-0"



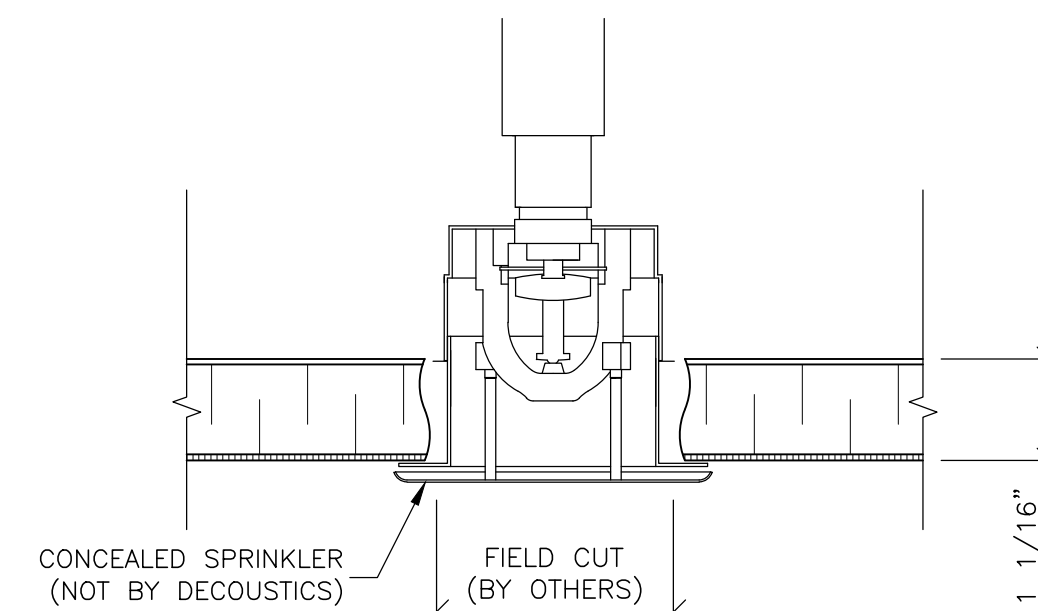
8 BUILT - UP RETURN
SCALE: 6" = 1'-0"



9 DETAIL @ LINEAR LT. FIXTURE
SCALE: 6" = 1'-0"



10 DETAIL @ DWN. LT.
SCALE: 6" = 1'-0"

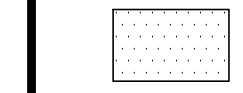


11 DETAIL @ SPRINKLER
SCALE: 6" = 1'-0"

GENERAL NOTES:

- (*) PLEASE SUPPLY FIELD DIMENSIONS TO THE NEAREST 1/16". DECOUSTICS WILL CALCULATE PANEL SIZES.
- PLEASE VERIFY AND CONFIRM ALL DIMENSIONS, MOUNTING METHODS, AND DETAILS.
- ALL PANEL PENETRATIONS FOR LIGHT FIXTURES, ELECTRICAL OUTLETS, ETC. TO BE FIELD CUT BY OTHERS. (NOT BY DECOUSTICS)
- ALL GRILLES, DIFFUSERS, LIGHTS ETC. TO BE SUPPORTED INDEPENDENTLY OF ACOUSTIC PANELS.
- PANELS MUST BE INSTALLED FLAT & LEVEL TO +/- 1/16" OVER 8 FT. IT MAY BE NECESSARY TO SHIM HARDWARE AS REQUIRED.
- THE FINISHES USED ON DECOUSTICS PANELS ARE DIRECTIONAL. THE BACK OF EACH PANEL WILL BE MARKED TO SHOW THE CORRECT ORIENTATION FOR INSTALLATION.
- DO NOT BUTT PANELS NEXT TO EACH OTHER DURING INSTALLATION. ALLOW 1/16" BETWEEN PANELS TO ALLOW FOR PROPER ALIGNMENT.
- FOR ADDITIONAL PANEL INSTALLATION DETAILS, SEE DATA SHEETS.

PANEL



PANEL TYPE : ME-VCATT 1 1/16" THICK FLAT CEILING PANELS
MOUNTING: DIRECT SUSPENDED MOUNT
EDGE DETAIL: CLARO FINISHED EXTRUDED ALUMINUM, SQUARE EDGES, 3/16" DEFINED PANEL JOINTS AND 1" REVEAL AROUND PERIMETER OF CEILING
FINISH: STANDARD WHITE CLARO



PANEL TYPE : ME-VCATT 1 1/16" THICK FLAT CEILING PANELS
MOUNTING: DIRECT SUSPENDED MOUNT
EDGE DETAIL: CLARO FINISHED EXTRUDED ALUMINUM, SQUARE EDGES, 3/16" DEFINED PANEL JOINTS AND 1" REVEAL AROUND PERIMETER OF CEILING
FINISH: STANDARD WHITE CLARO

CLEAN-AIR CLARO - DIRECT SUSPENDED

REV.	PURPOSE	DATE
0	REVISION	28 APRIL 2020

THIS DRAWING IS THE SOLE PROPERTY OF DECOUSTICS LIMITED AND CONTAINS CONFIDENTIAL INFORMATION AND IS TO BE USED ONLY UNDER EXPRESS AUTHORITY GIVEN, IN WRITING, BY DECOUSTICS LIMITED.

decoustics
SAINT-GOBAIN

61 Royal Group Crescent, Woodbridge
Ontario L4H 1X9 Canada
Toll Free: 800-387-3809
Main: 905-652-5200
Fax: 905-652-2505

DRAWING	DRAWING TITLE	DRAWN BY	DWG. NO.
ARCHITECT	ARCHITECT	JL SP	D1
		CHECKED BY	PROJECT #
		#####	1 OF X