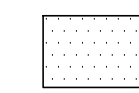


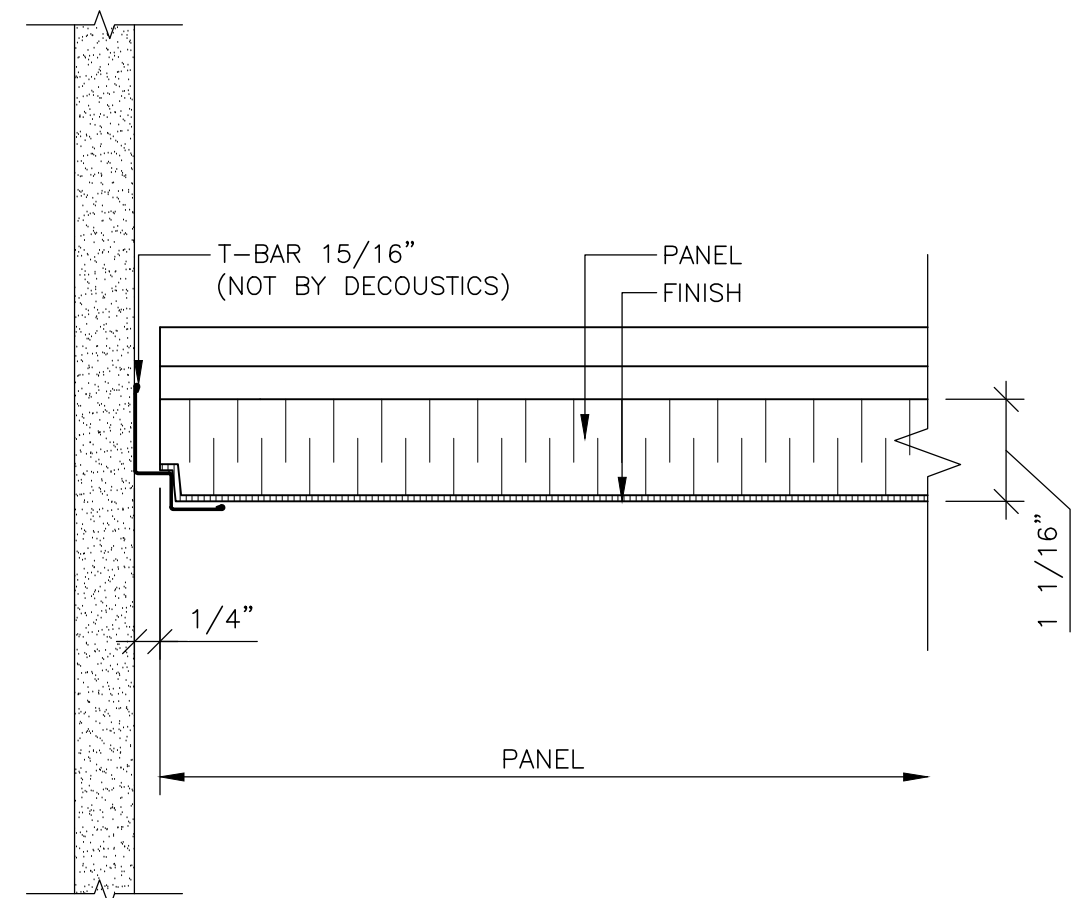
GENERAL NOTES:

1. (*) PLEASE SUPPLY FIELD DIMENSIONS TO THE NEAREST 1/16". DECOUSTICS WILL CALCULATE PANEL SIZES.
2. PLEASE VERIFY AND CONFIRM ALL DIMENSIONS, MOUNTING METHODS, AND DETAILS.
3. ALL PANEL PENETRATIONS FOR LIGHT FIXTURES, ELECTRICAL OUTLETS, ETC. TO BE FIELD CUT BY OTHERS. (NOT BY DECOUSTICS)
4. ALL GRILLES, DIFFUSERS, LIGHTS ETC. TO BE SUPPORTED INDEPENDENTLY OF CEILING GRID AND ACOUSTICAL PANELS.
5. GRID LOCATION AND SPRING DIRECTION/ORIENTATION MAY NOT BE EXACTLY AS SHOWN. INSTALLATION DRAWINGS WILL BE SENT WITH GRID.
6. ALL SPRINGS, SPRING RETAINERS, BUTTERFLIES AND GRID TO BE ASSEMBLED ON SITE BY CONTRACTOR.
7. THE VAPOR BARRIER ON DECOUSTICS PANELS MUST BE REPAIRED OR REPLACED IF IT IS DAMAGED IN ANY WAY DURING INSTALLATION OR FIELD CUTTING. FAILURE TO DO THIS WILL RESULT IN PREMATURE SOILING OF THE PANEL FACE IN THE AREA OF THE DAMAGED OR MISSING VAPOR BARRIER.
8. THE FINISHES USED ON DECOUSTICS CEILING PANELS ARE DIRECTIONAL. THE BACK OF EACH PANEL WILL BE MARKED TO SHOW THE CORRECT ORIENTATION FOR INSTALLATION.
9. DO NOT PAINT OVER CEILING PANEL SURFACE, SEE CLEANING AND MAINTENANCE INSTRUCTIONS FOR CLARO FINISH.
10. DO NOT BUTT PANELS NEXT TO EACH OTHER DURING INSTALLATION. ALLOW 1/16" BETWEEN PANELS TO ALLOW FOR PROPER ALIGNMENT.
11. FOR ADDITIONAL PANEL INSTALLATION DETAILS, SEE DATA SHEETS.

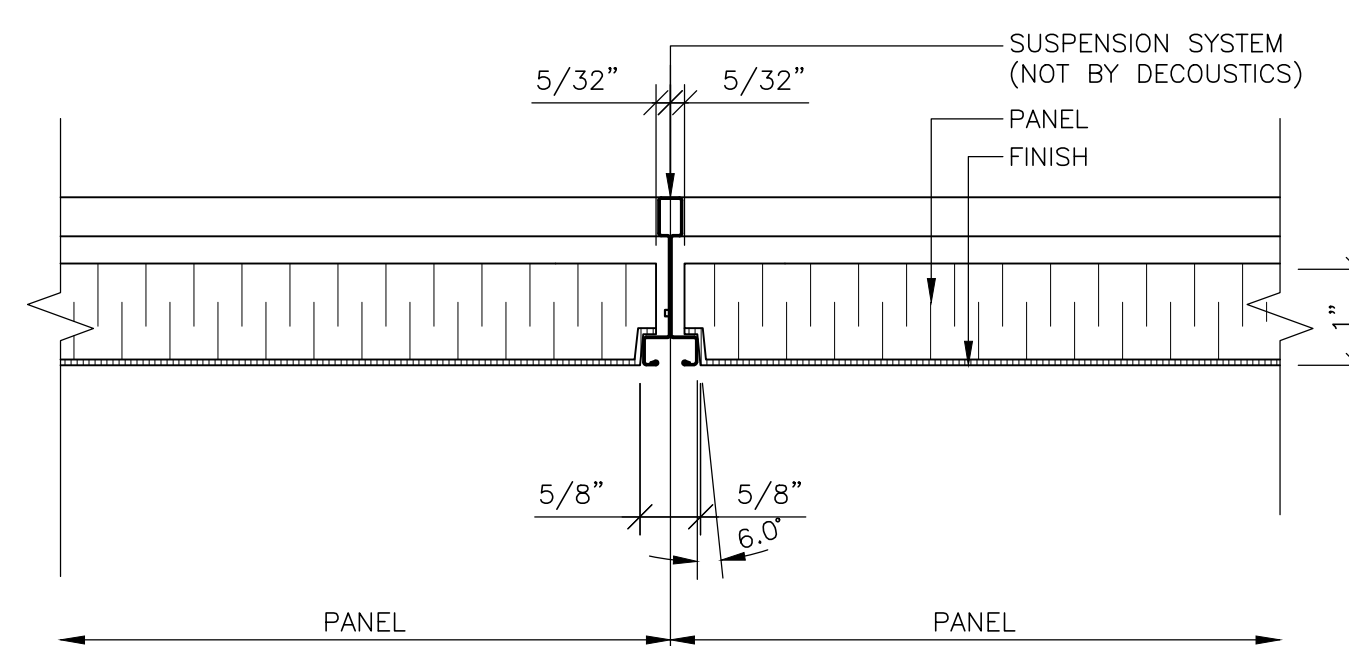
PANEL



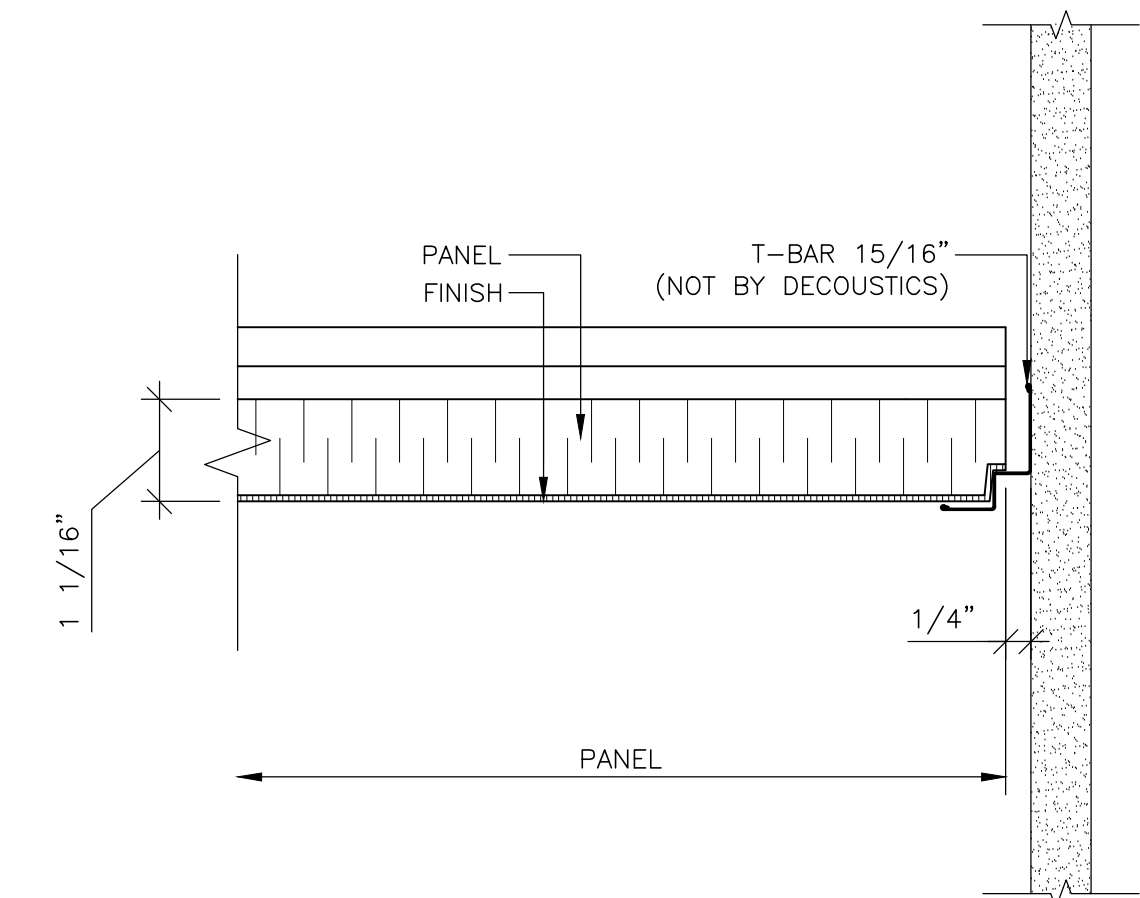
PANEL TYPE : ME-VCATT 1" THICK FLAT CEILING PANELS
 MOUNTING : DECOUSTICS STANDARD MOUNTING
 EDGE DETAIL : CLARO FINISHED EXTRUDED ALUMINUM, SQUARE EDGES, 1/8" DEFINED PANEL JOINTS AND 1" REVEAL AROUND PERIMETER OF CEILING
 FINISH : STANDARD WHITE CLARO



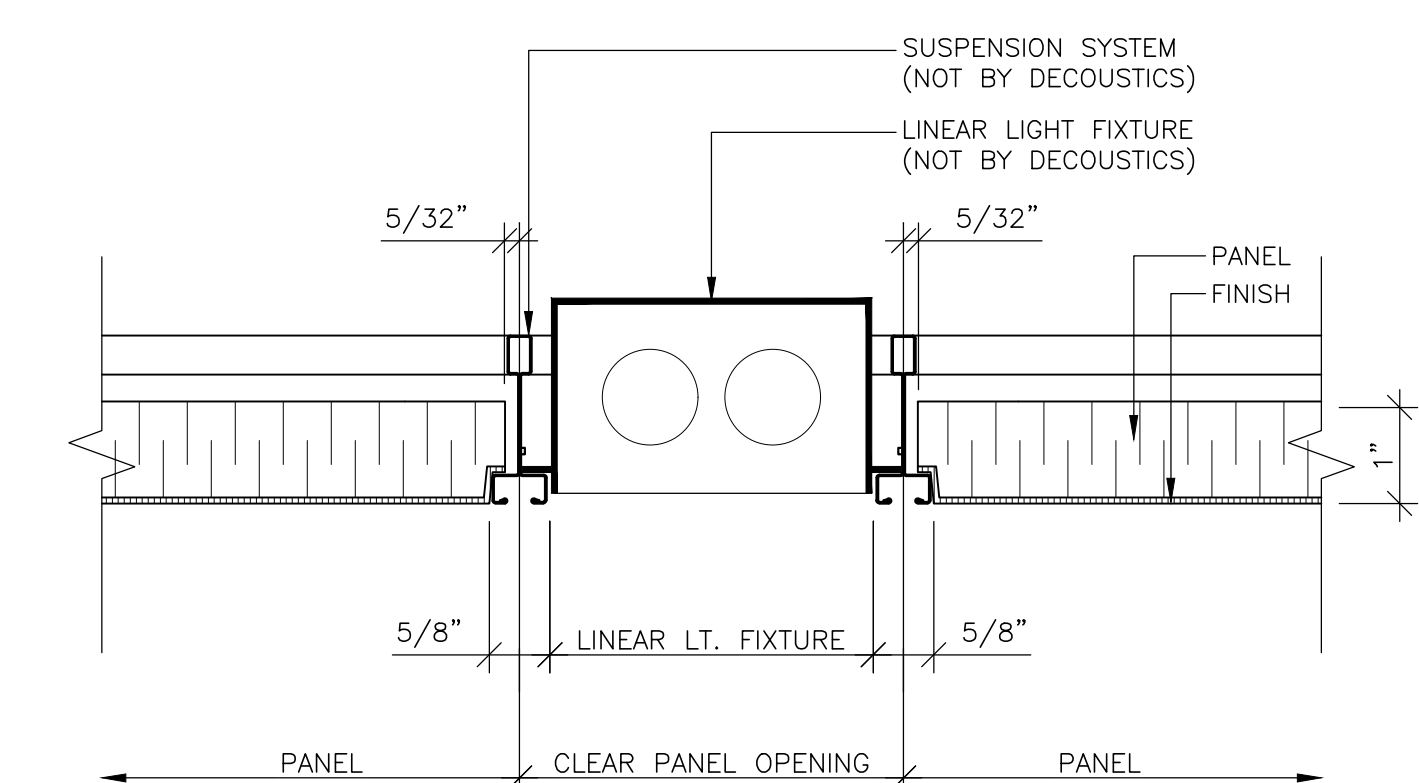
1 PANEL PERIMETER DETAIL
 D1 SCALE: 6" = 1'-0"



2 PANEL DETAIL @ T-BAR
 D1 SCALE: 6" = 1'-0"



3 PANEL PERIMETER DETAIL
 D1 SCALE: 6" = 1'-0"



4 PANEL DETAIL @ LINEAR FIXTURE
 D1 SCALE: 6" = 1'-0"

CLEAN-AIR CLARO -
 LAY-IN

0	REVISION	28 APRIL 2020
REV.	PURPOSE	DATE

THIS DRAWING IS THE SOLE PROPERTY OF DECOUSTICS LIMITED AND CONTAINS CONFIDENTIAL INFORMATION AND IS TO BE USED ONLY UNDER EXPRESS AUTHORITY GIVEN, IN WRITING, BY DECOUSTICS LIMITED.

decoustics
 SAINT-GOBAIN

61 Royal Group Crescent, Woodbridge
 Ontario L4H 1X9 Canada
 Toll Free: 800-387-3809
 Main: 905-652-5200
 Fax: 905-652-2505

DRAWING	DRAWING TITLE	DRAWN BY	DWG. NO.
ARCHITECT	ARCHITECT	JL	D1
		SP	#####
		PROJECT #	1 OF X