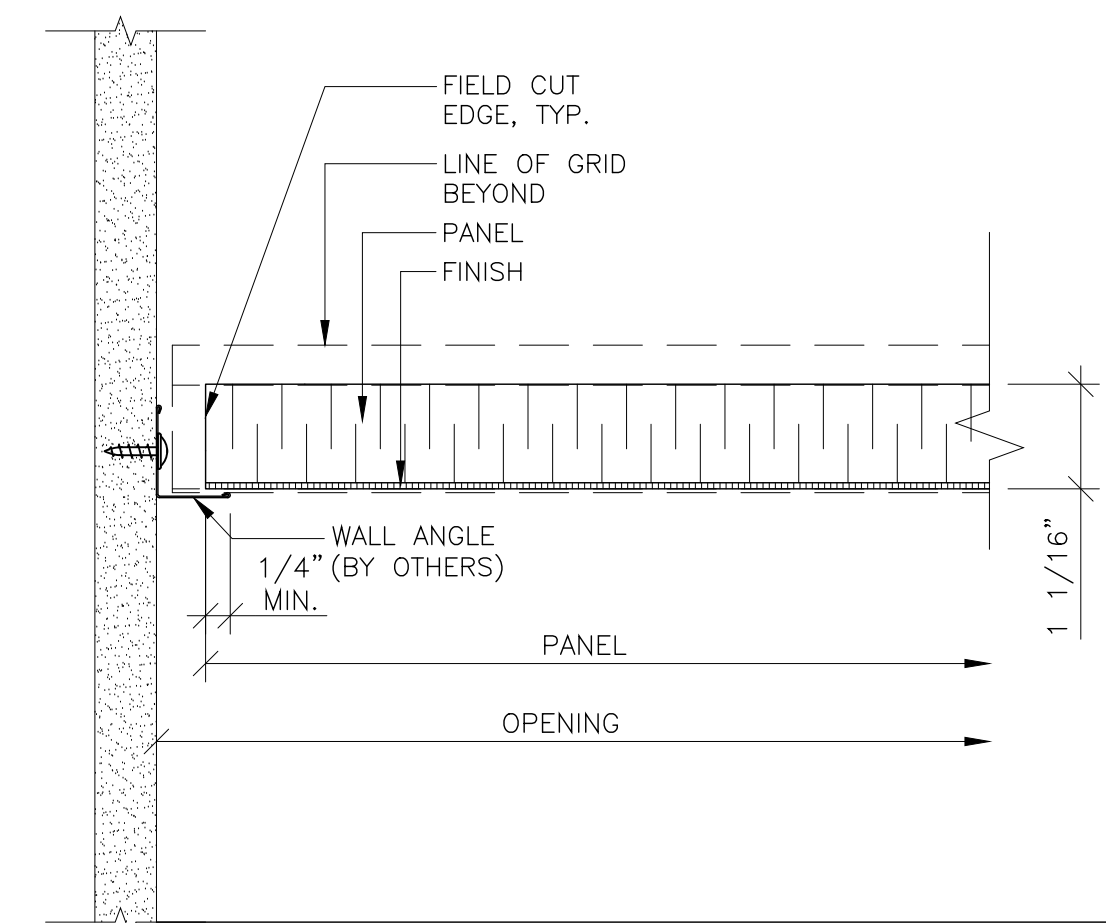


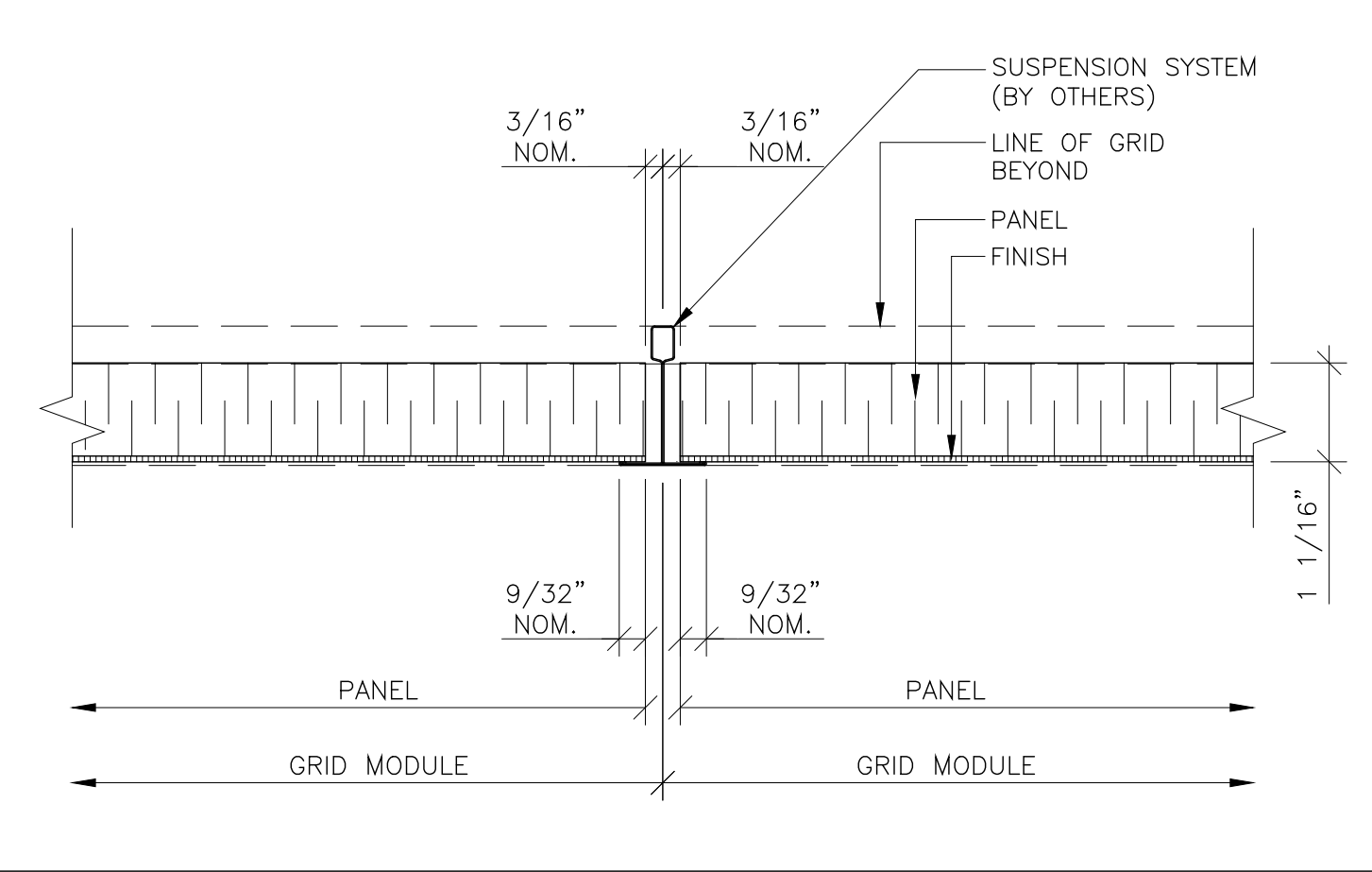
- GENERAL NOTES:**
- (\*) PLEASE SUPPLY FIELD DIMENSIONS TO THE NEAREST 1/16". CERTAINTEED WILL CALCULATE PANEL SIZES.
  - PLEASE VERIFY AND CONFIRM ALL DIMENSIONS, MOUNTING METHODS, AND DETAILS.
  - ALL PANEL PENETRATIONS FOR LIGHT FIXTURES, ELECTRICAL OUTLETS, ETC. TO BE FIELD CUT BY OTHERS.
  - ALL GRILLES, DIFFUSERS, LIGHTS ETC. TO BE SUPPORTED INDEPENDENTLY OF CEILING GRID AND ACOUSTICAL PANELS.
  - GRID LOCATION AND SPRING DIRECTION/ORIENTATION MAY NOT BE EXACTLY AS SHOWN. INSTALLATION DRAWINGS WILL BE SENT WITH GRID.
  - ALL SPRINGS, SPRING RETAINERS, BUTTERFLIES AND GRID TO BE ASSEMBLED ON SITE BY CONTRACTOR.
  - THE VAPOR BARRIER ON CERTAINTEED PANELS MUST BE REPAIRED OR REPLACED IF IT IS DAMAGED IN ANY WAY DURING INSTALLATION OR FIELD CUTTING. FAILURE TO DO THIS WILL RESULT IN PREMATURE SOILING OF THE PANEL FACE IN THE AREA OF THE DAMAGED OR MISSING VAPOR BARRIER.
  - THE FINISHES USED ON CERTAINTEED CEILING PANELS ARE DIRECTIONAL. THE BACK OF EACH PANEL WILL BE MARKED TO SHOW THE CORRECT ORIENTATION FOR INSTALLATION.
  - DO NOT PAINT OVER CEILING PANEL SURFACE. SEE CLEANING AND MAINTENANCE INSTRUCTIONS FOR CLARO FINISH.
  - DO NOT BUTT PANELS NEXT TO EACH OTHER DURING INSTALLATION. ALLOW 1/16" BETWEEN PANELS TO ALLOW FOR PROPER ALIGNMENT.
  - FOR ADDITIONAL PANEL INSTALLATION DETAILS, SEE DATA SHEETS.

**PANEL TYPE:**

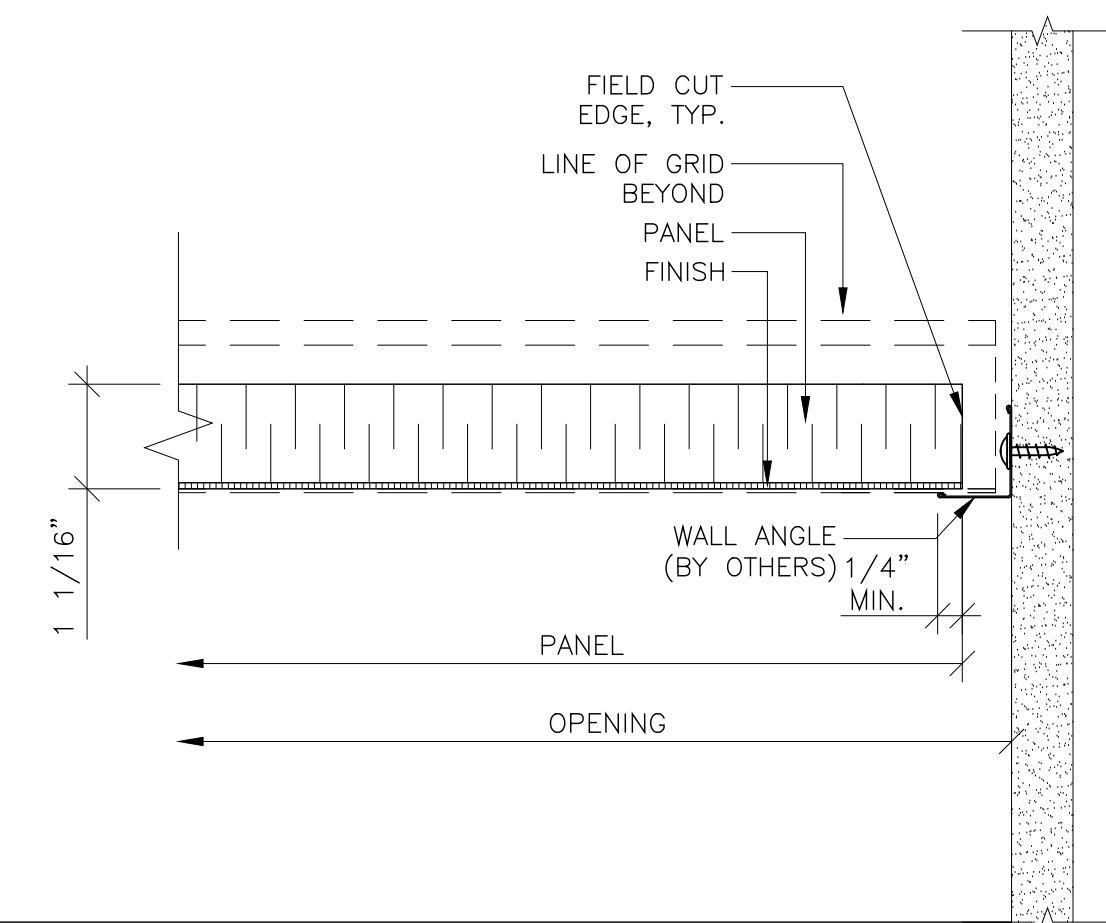
PANEL TYPE : 1 1/16" THICK FLAT CEILING PANELS  
LAY-IN APPLICATION  
MOUNTING: CLARO FINISHED EXTRUDED ALUMINUM.  
EDGE DETAIL: SQUARE EDGES, 1/8" DEFINED PANEL JOINTS AND 1" REVEAL AROUND PERIMETER OF CEILING  
FINISH: PRODUCT-SPECIFIC  
COLOR: TBD



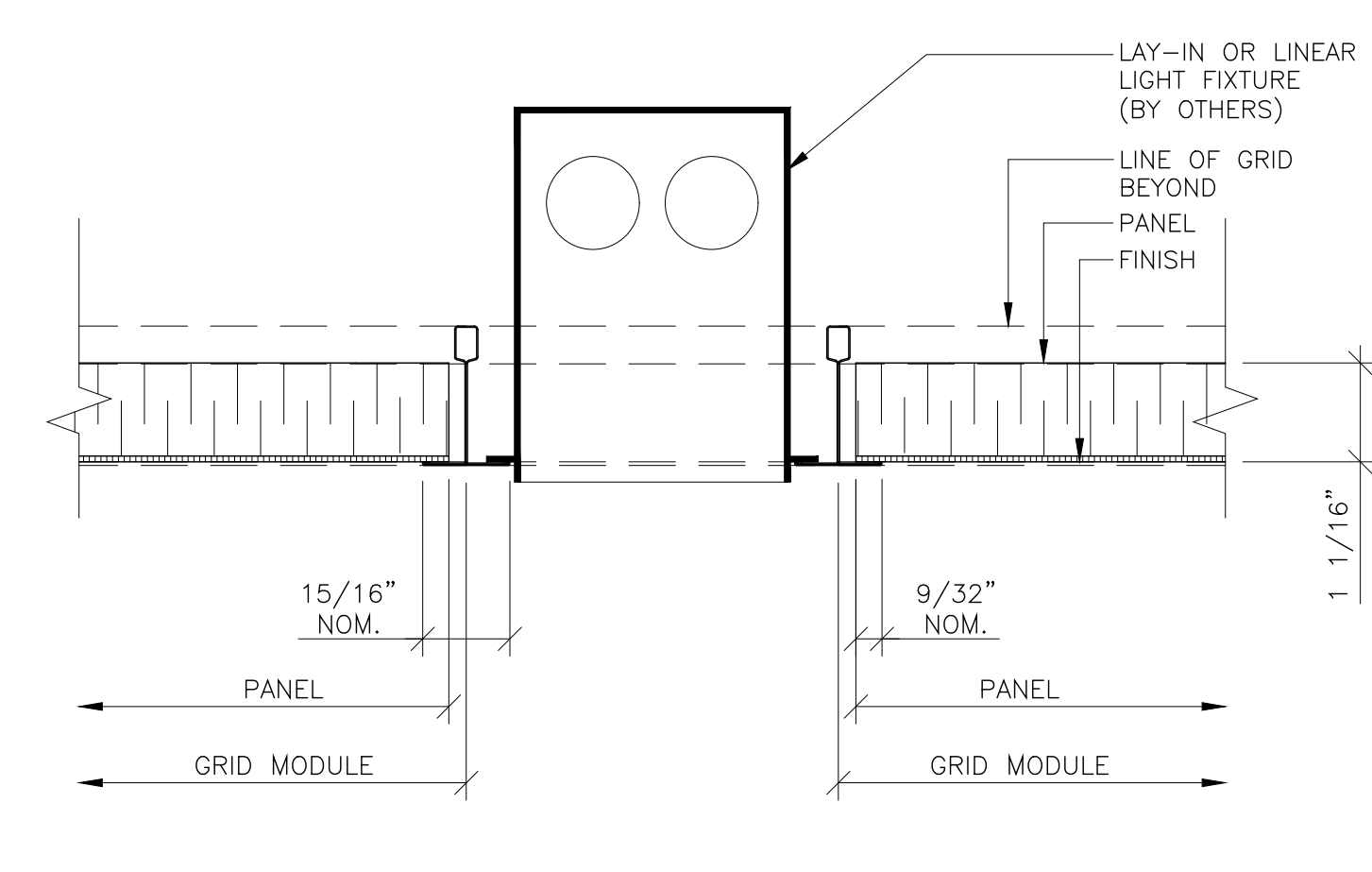
1 STD. GRID PERIMETER DETAIL  
SCALE: 6" = 1'-0"



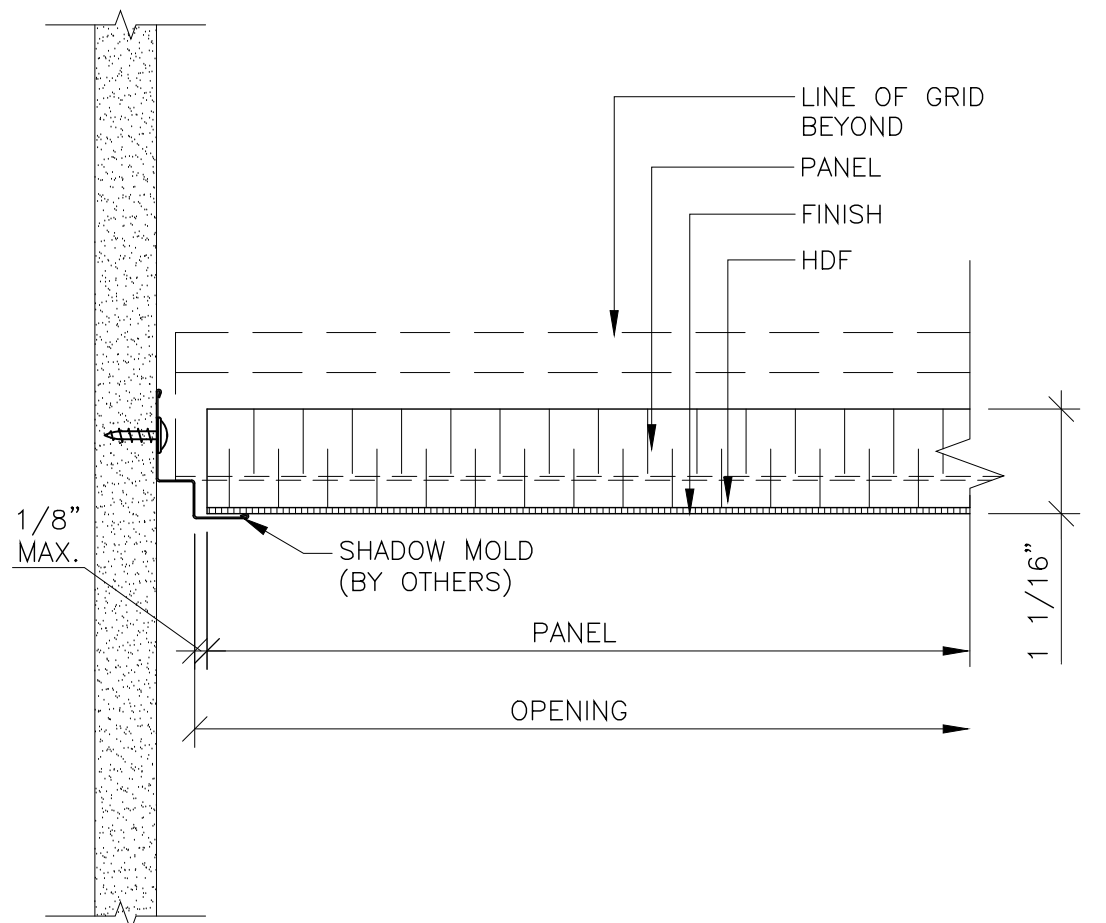
2 STD. CROSS GRID DETAIL  
SCALE: 6" = 1'-0"



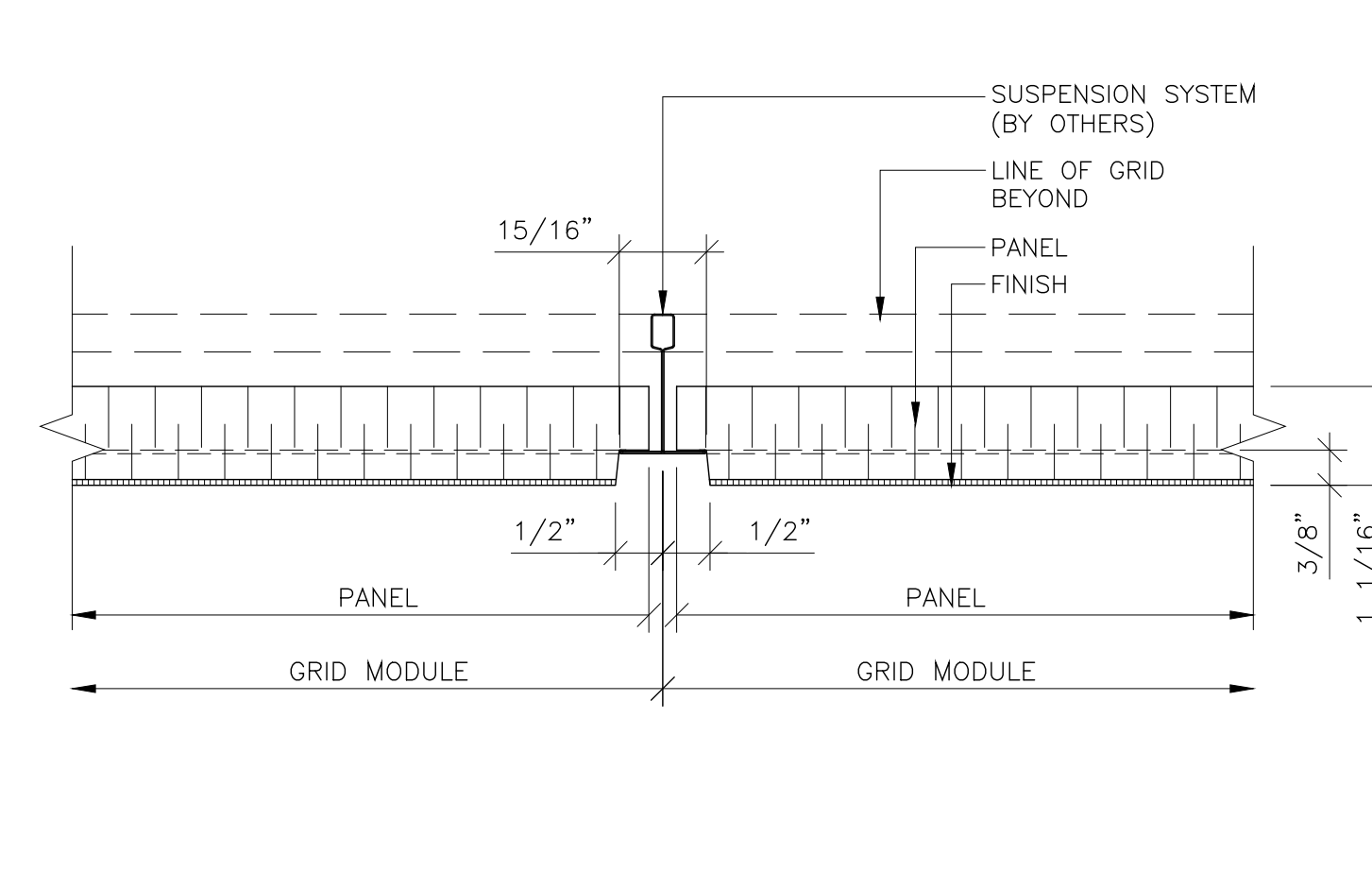
3 STD. GRID PERIMETER DETAIL  
SCALE: 6" = 1'-0"



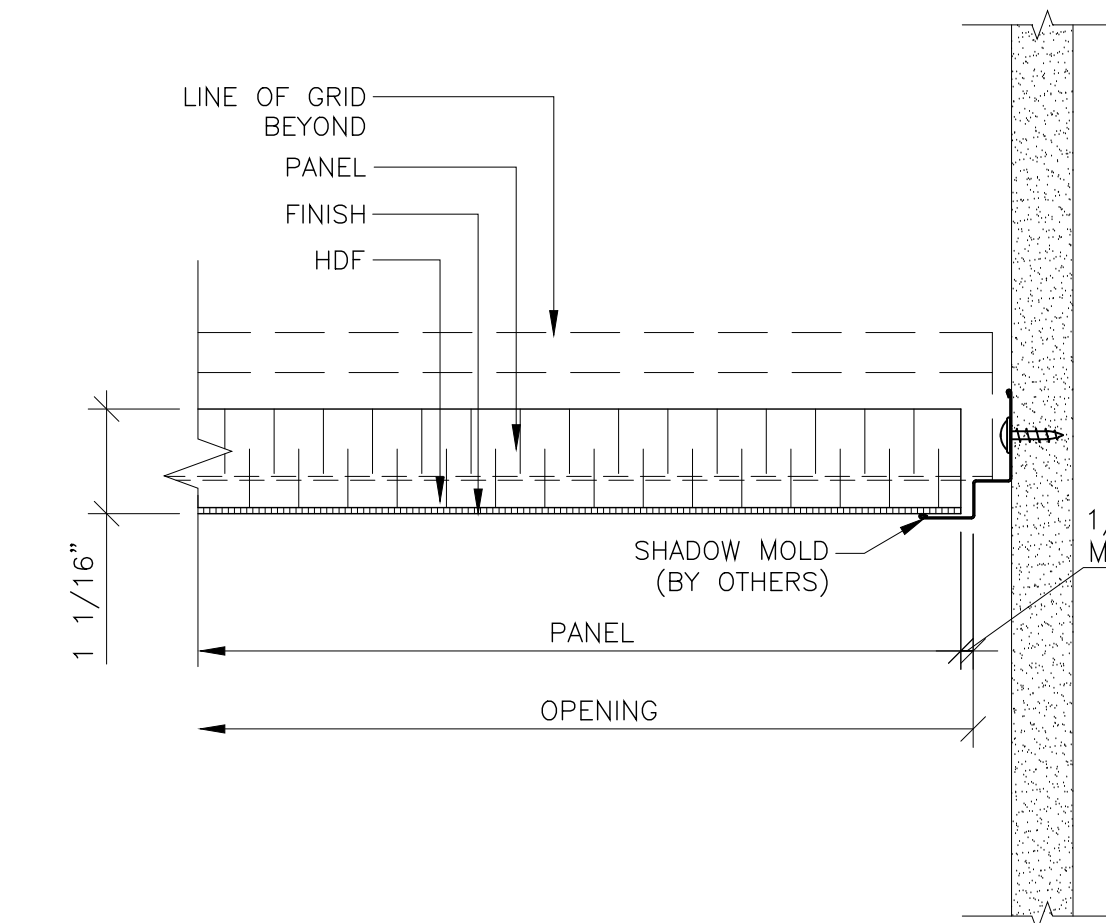
4 STD. GRID FIXTURE DETAIL  
SCALE: 6" = 1'-0"



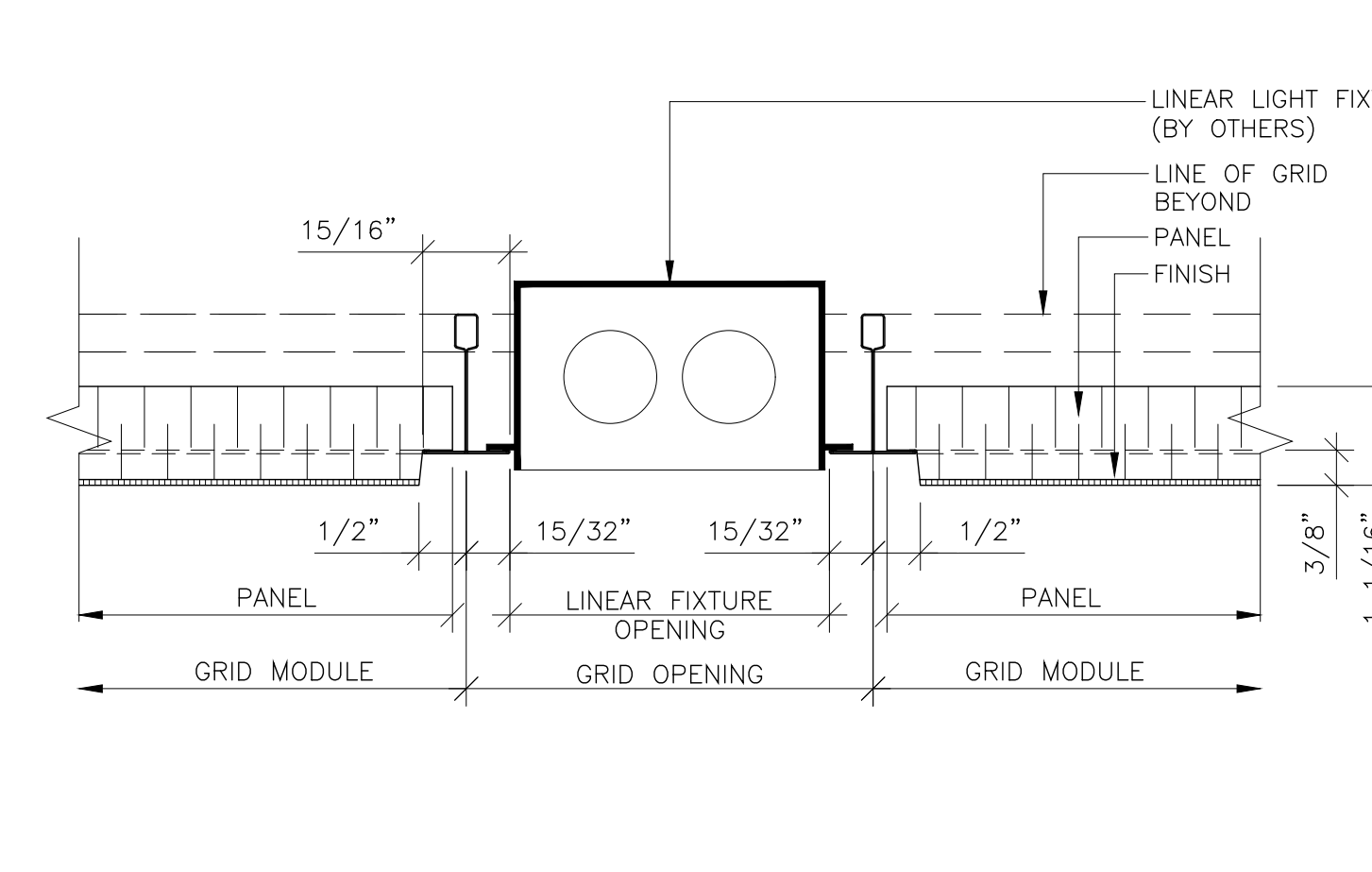
4 PANEL PERIMETER DETAIL  
SCALE: 6" = 1'-0"



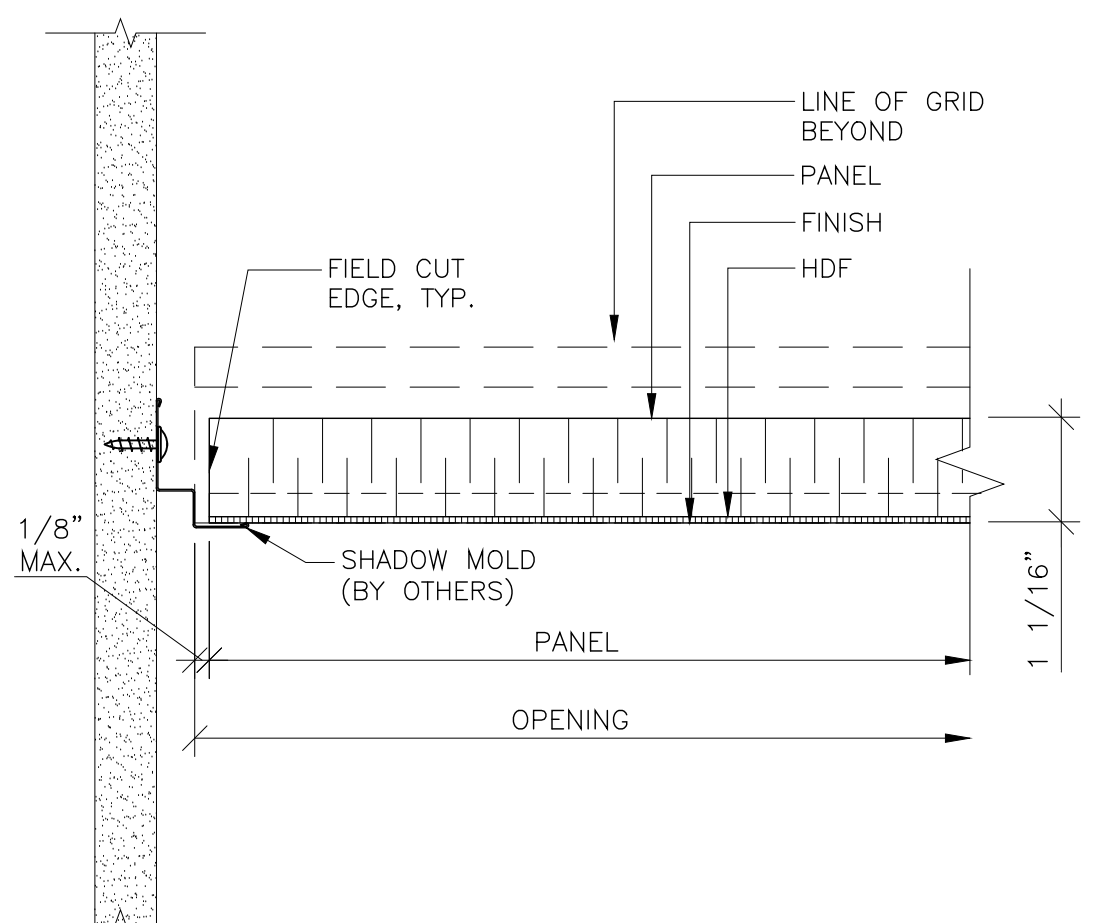
5 PANEL DETAIL @ T-BAR  
SCALE: 6" = 1'-0"



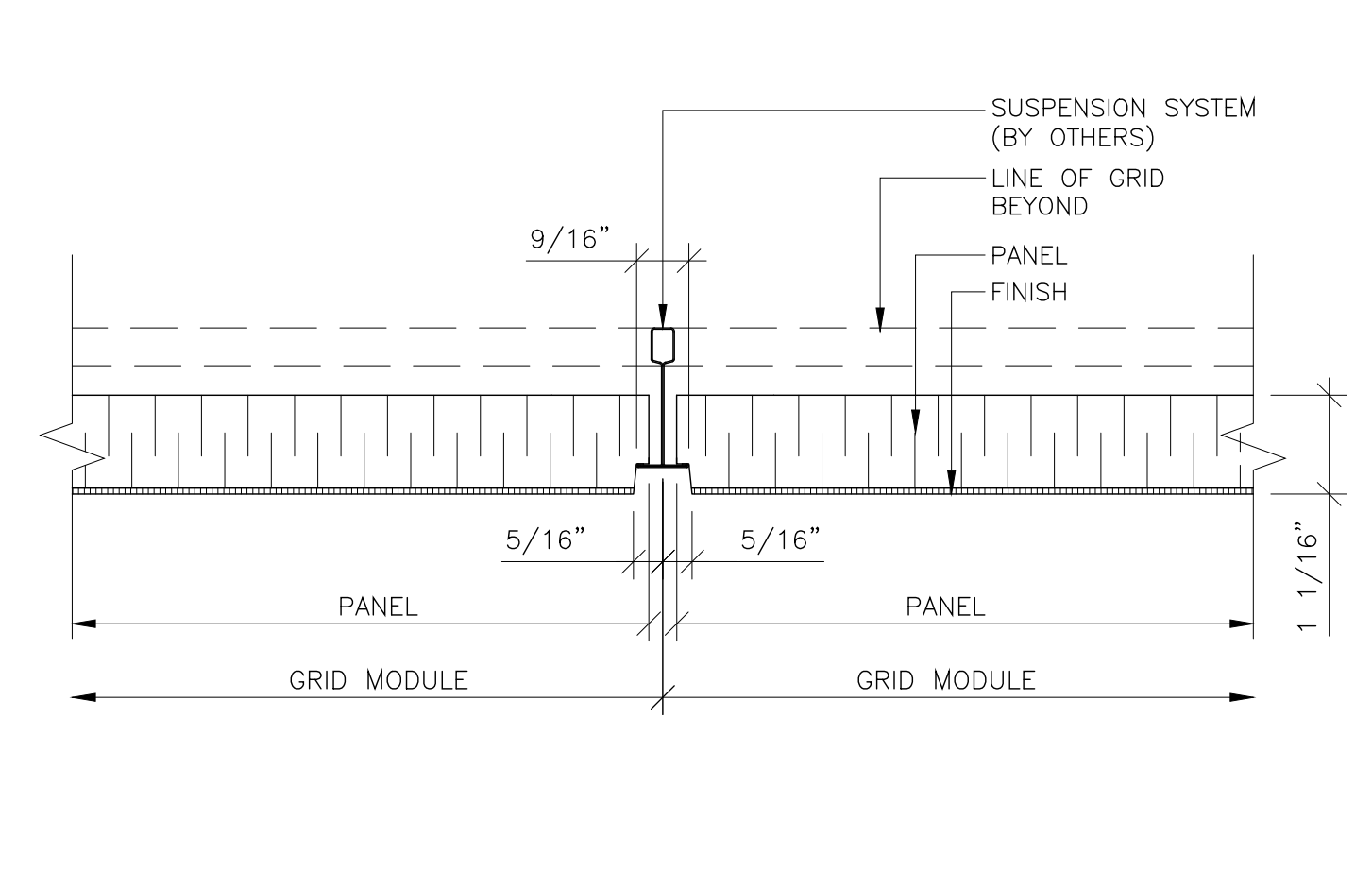
6 PANEL PERIMETER DETAIL  
SCALE: 6" = 1'-0"



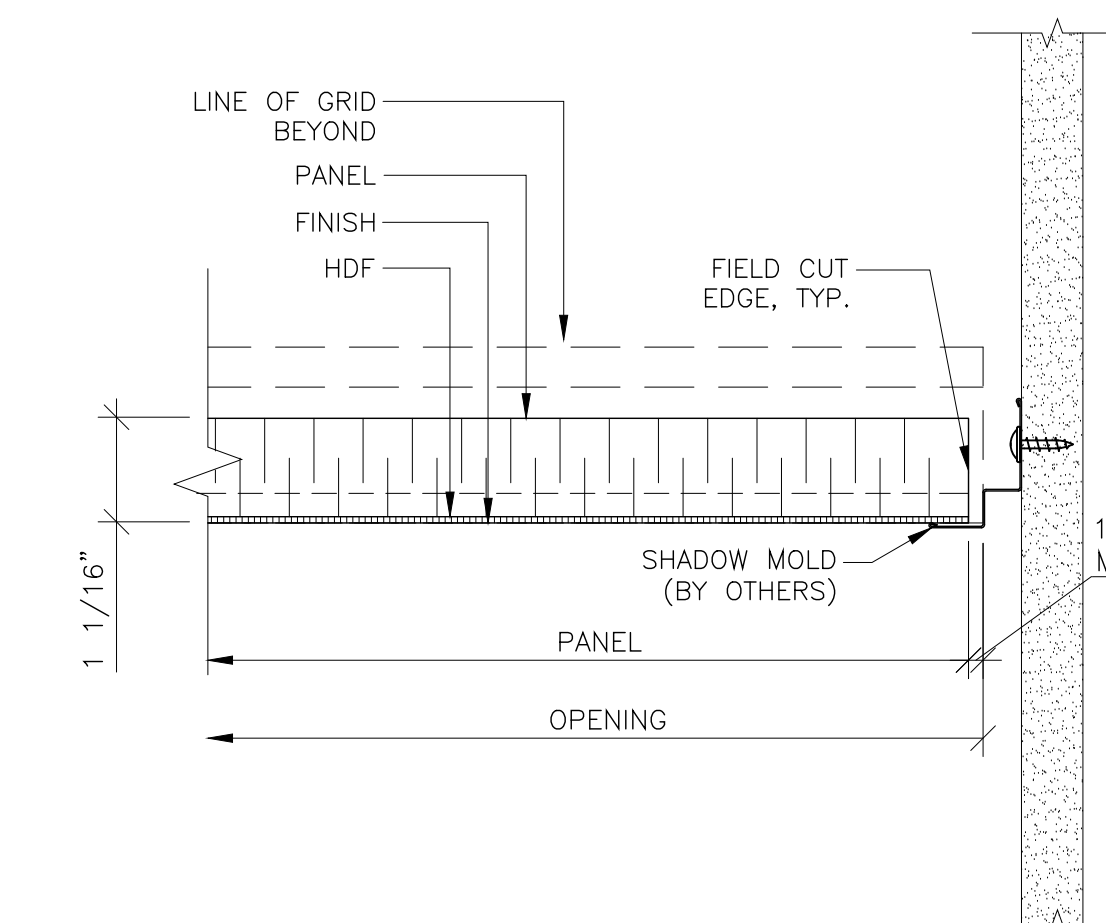
7 PANEL DETAIL @ LINEAR FIXTURE  
SCALE: 6" = 1'-0"



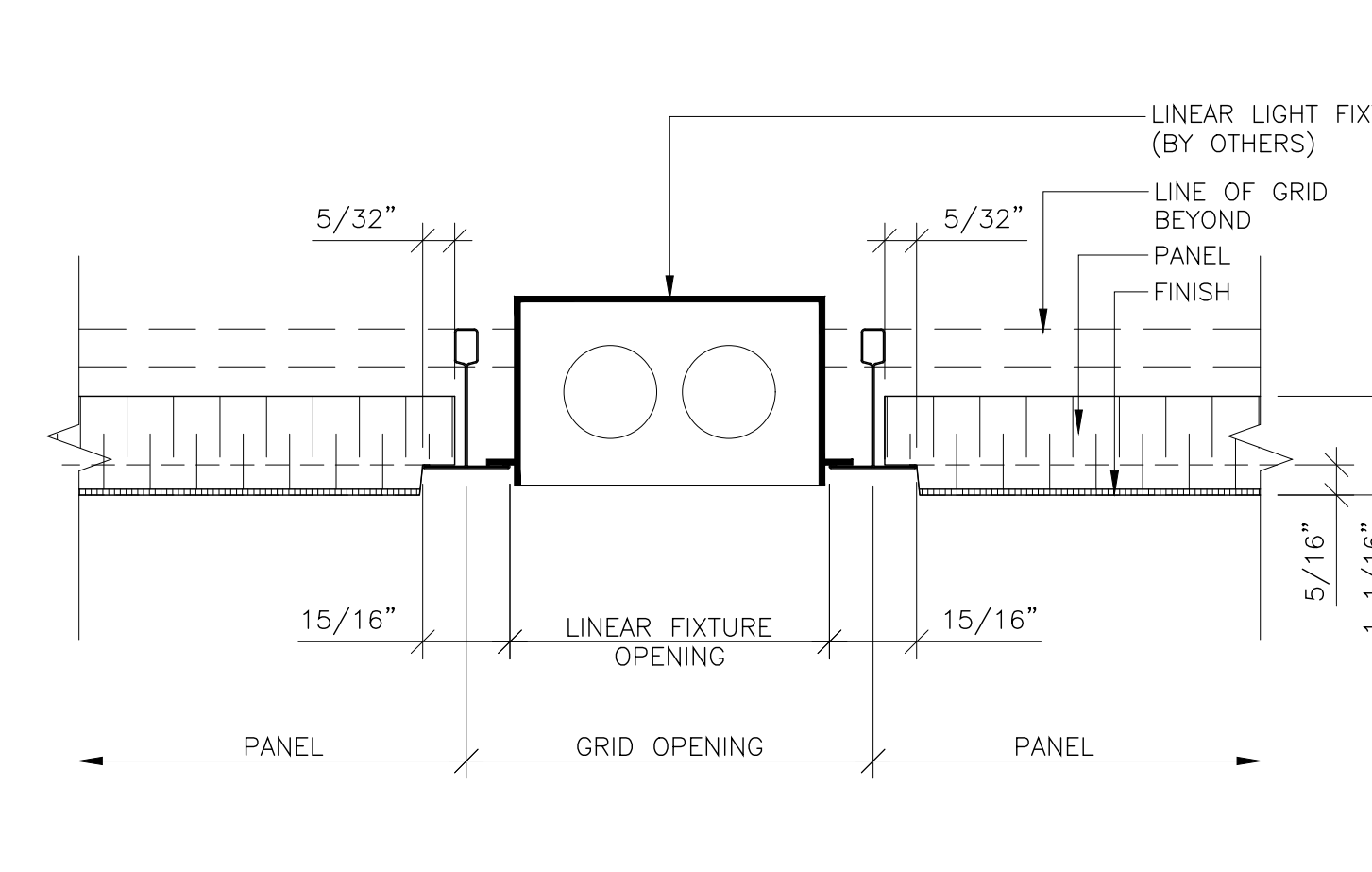
8 PANEL PERIMETER DETAIL  
SCALE: 6" = 1'-0"



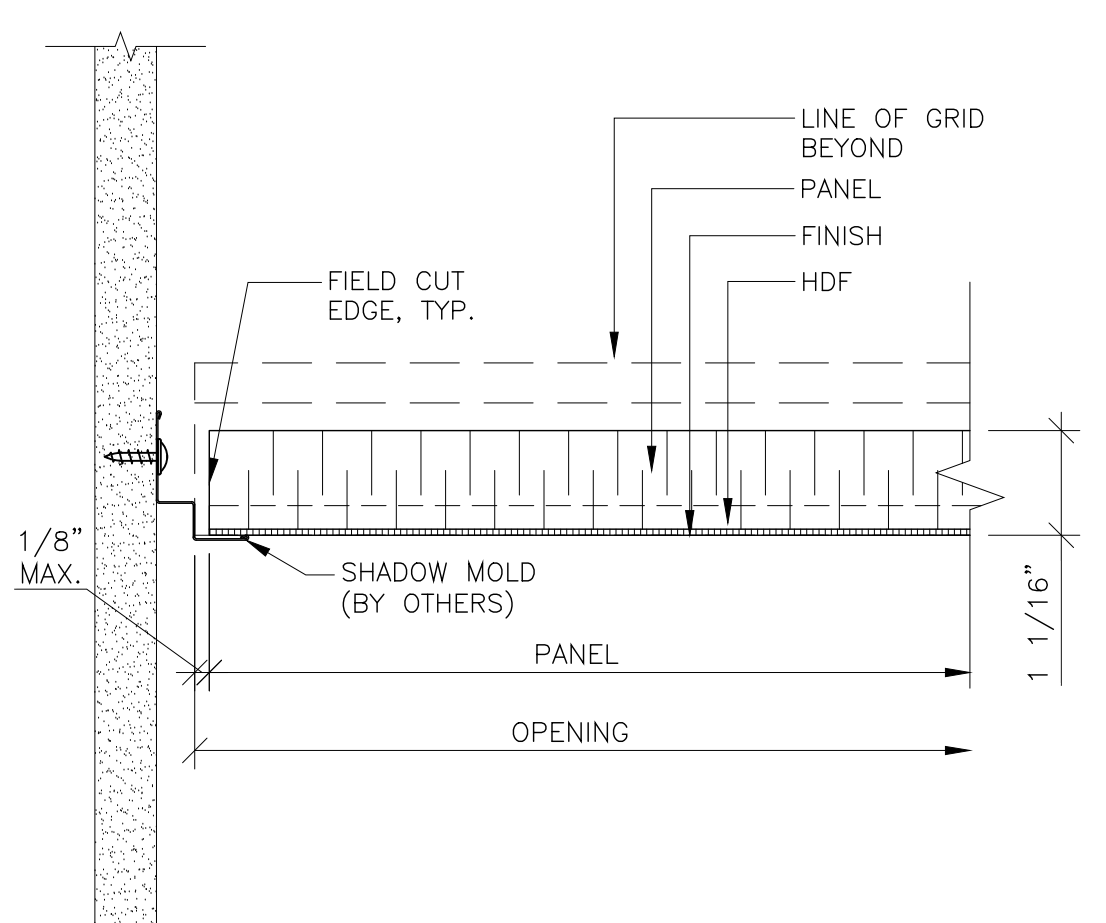
9 PANEL DETAIL @ T-BAR  
SCALE: 6" = 1'-0"



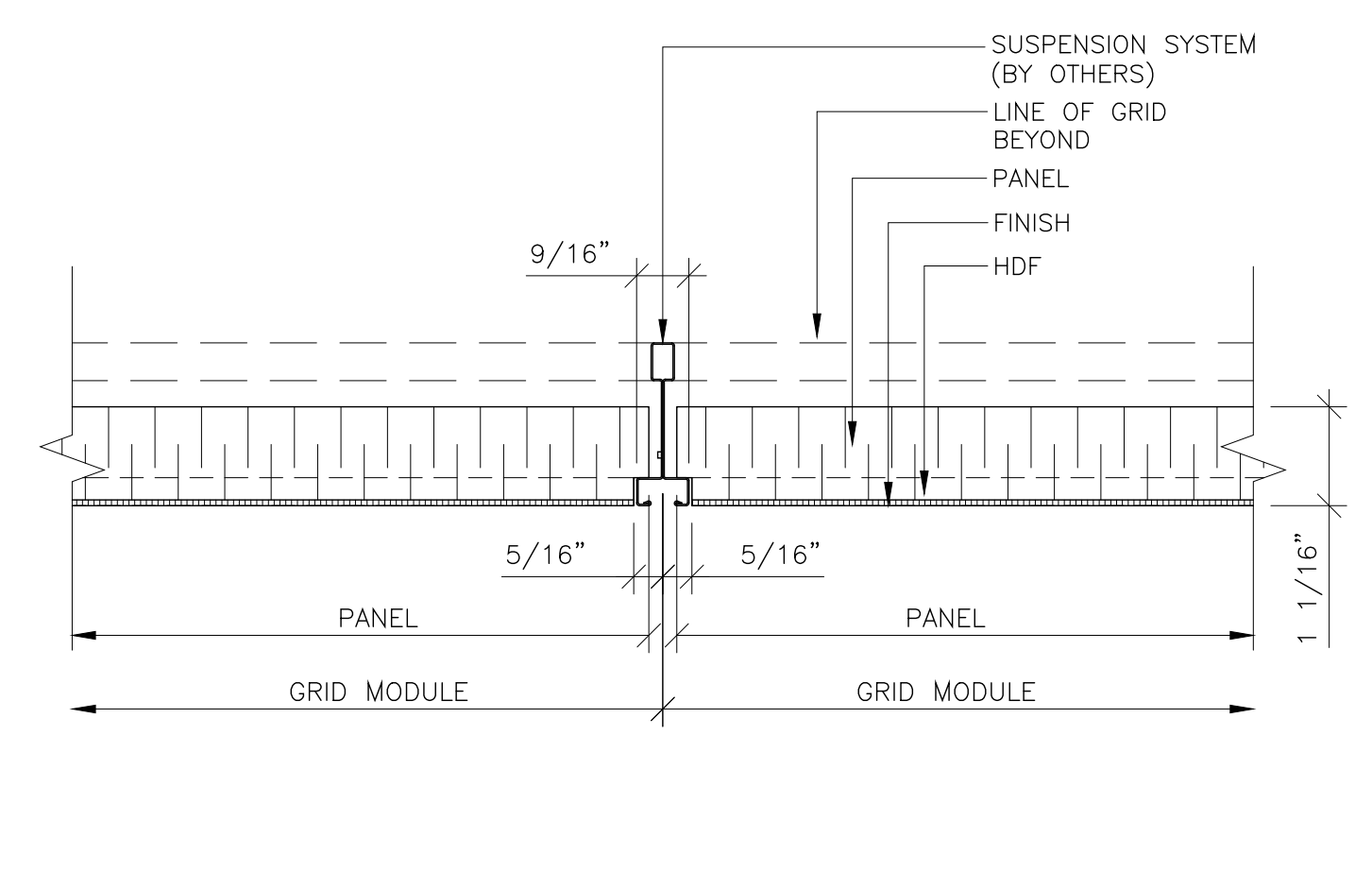
10 PANEL PERIMETER DETAIL  
SCALE: 6" = 1'-0"



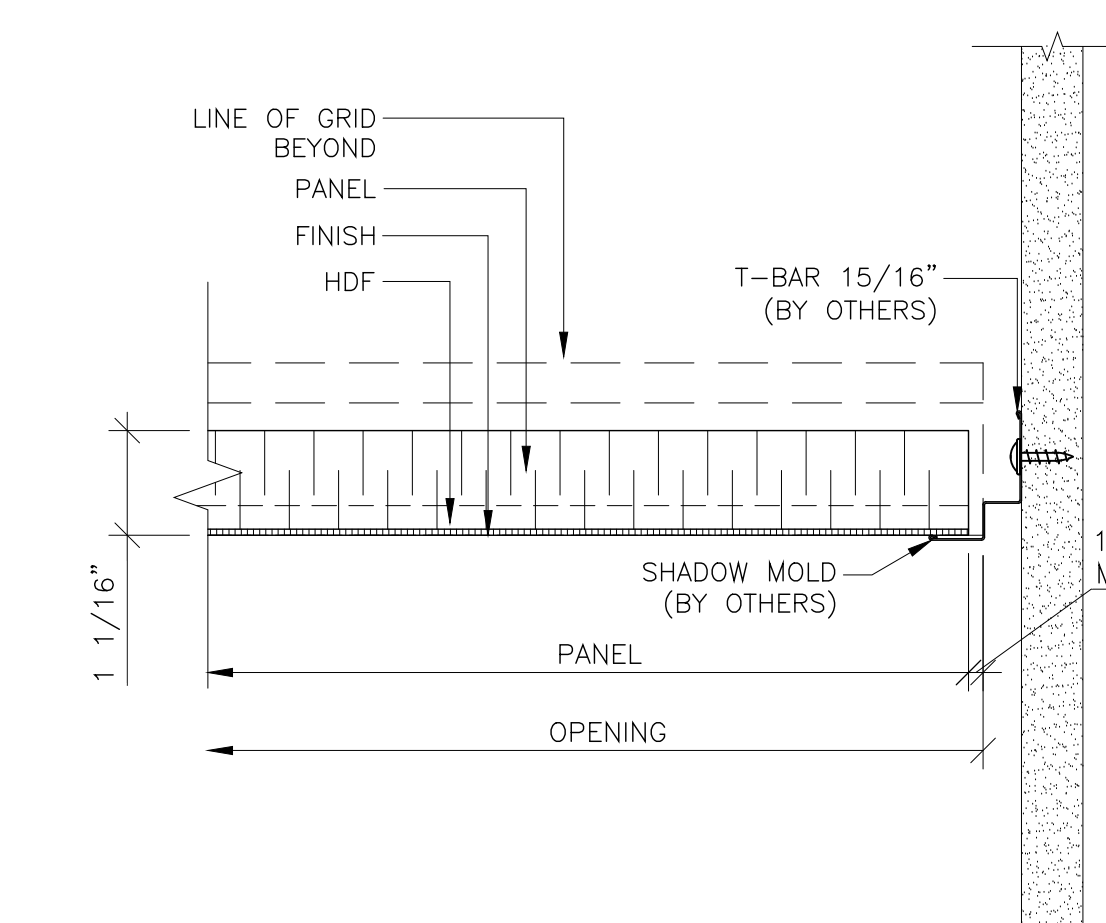
11 PANEL DETAIL @ LINEAR FIXTURE  
SCALE: 6" = 1'-0"



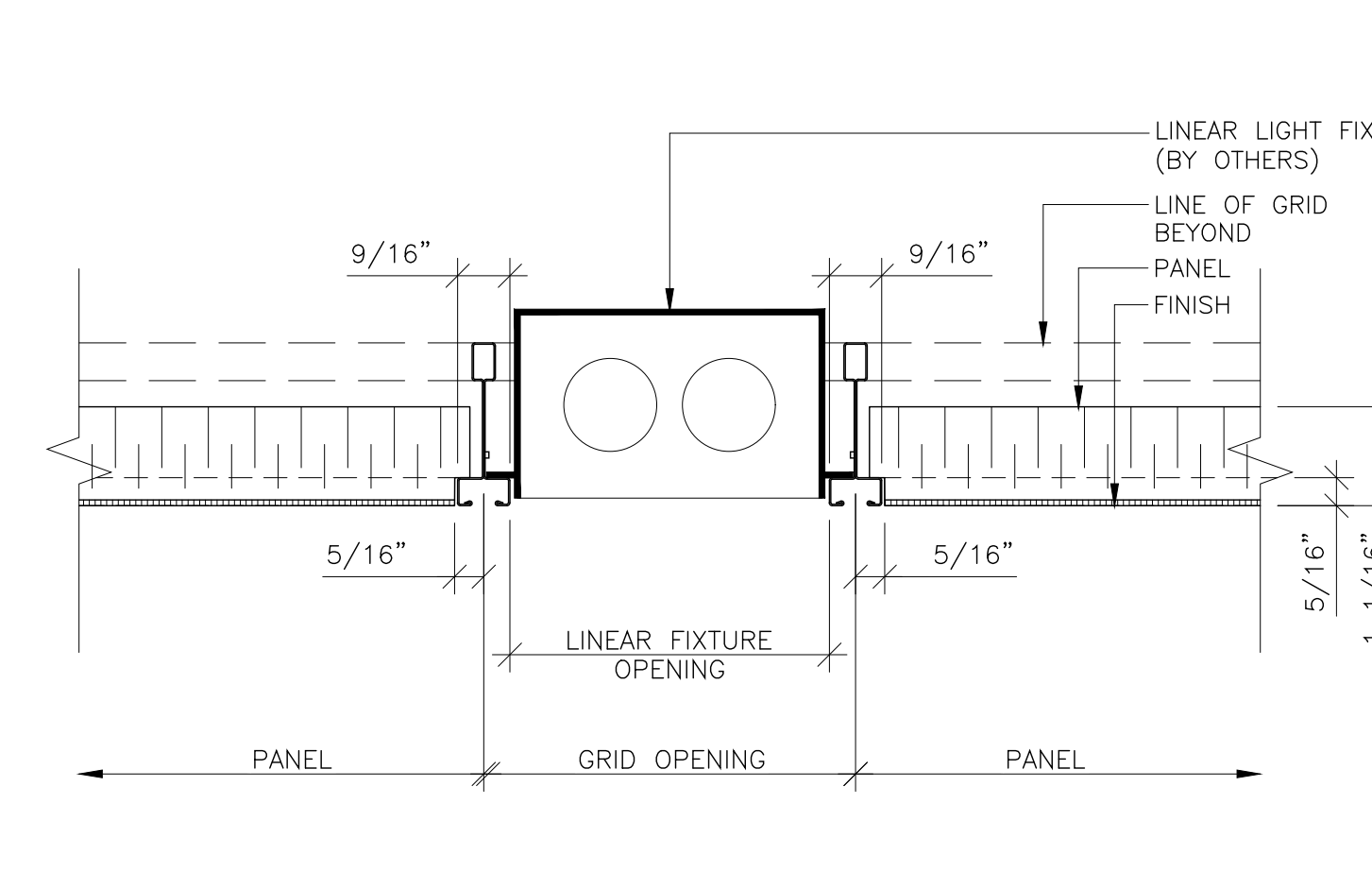
12 PANEL PERIMETER DETAIL  
SCALE: 6" = 1'-0"



13 PANEL DETAIL @ T-BAR  
SCALE: 6" = 1'-0"



14 PANEL PERIMETER DETAIL  
SCALE: 6" = 1'-0"



15 PANEL DETAIL @ LINEAR FIXTURE  
SCALE: 6" = 1'-0"

3		
2		
1	COMBINE PRODUCTS	05-JULY-2021
0	INITIAL RELEASE	11-MAY-2021
REV.	PURPOSE	DATE

These drawings show typical conditions for installing the CertainTeed product shown. They should not be construed as a substitute for an architectural or engineering design and do not reflect the unique requirements of local codes, laws, statutes or regulations that may be applicable for a specific installation. CertainTeed assumes no liability for the accuracy or completeness of the drawings for a specific installation or the fitness of the drawings for a particular purpose. The user is advised to consult with local licensed design professionals in order to assure compliance with all legal requirements. CertainTeed is not licensed to provide professional engineering or architectural services.

**DECOUSTICS CLARO,  
CLEAN-AIR CLARO,  
EASY-CLEAN CLARO,  
AND METALLO  
ON LAY-IN**

DRAWING	TYPICAL DRAWING	DRAWN BY	JL	DWG. NO.	
CHECKED BY	SP				<b>D1</b>
ARCHITECT / SPECIFIER		PROJECT #	#####		1 OF 1