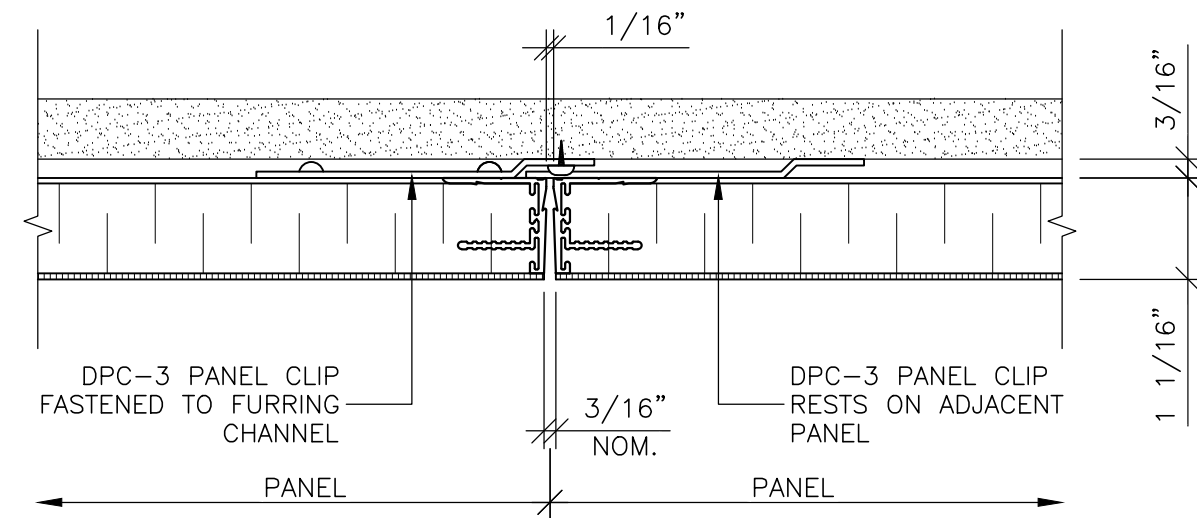
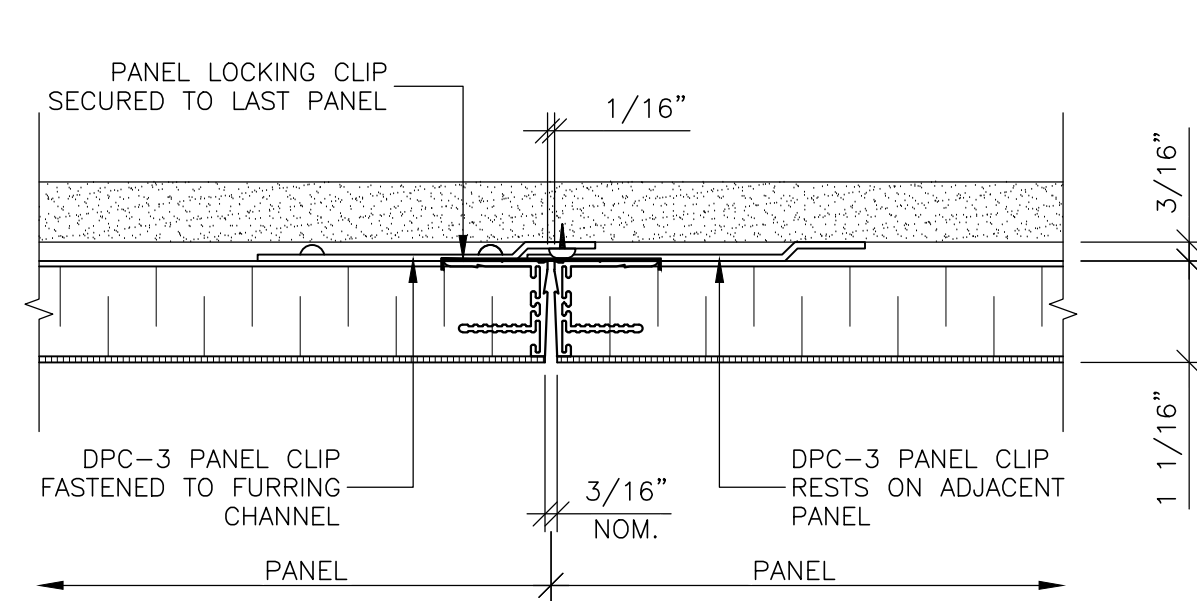


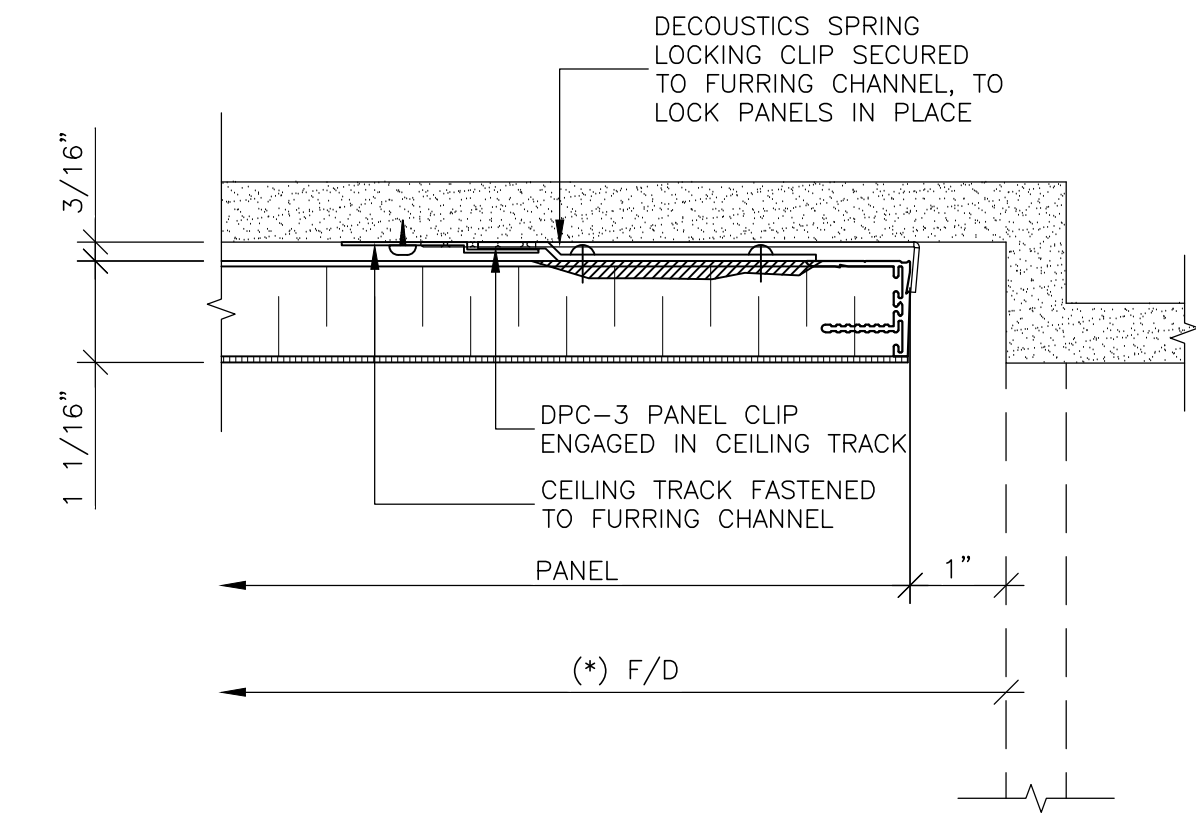
1 PERIMETER DETAIL  
D1 SCALE: 6" = 1'-0"



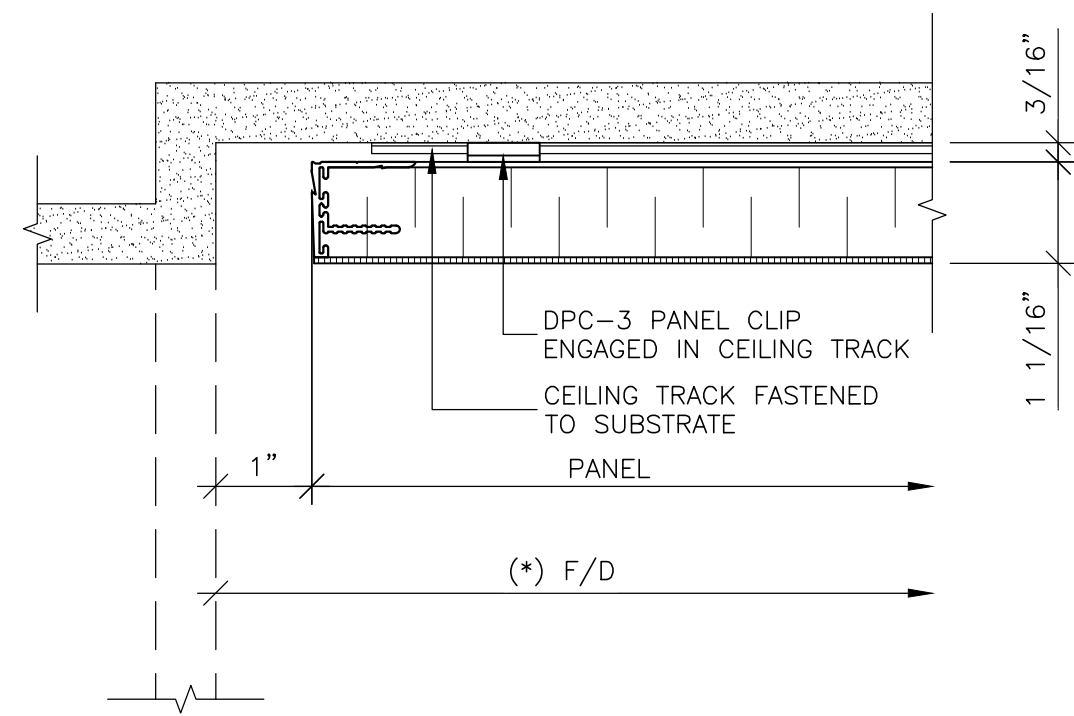
2 DEFINED JOINT DET.  
D1 SCALE: 6" = 1'-0"



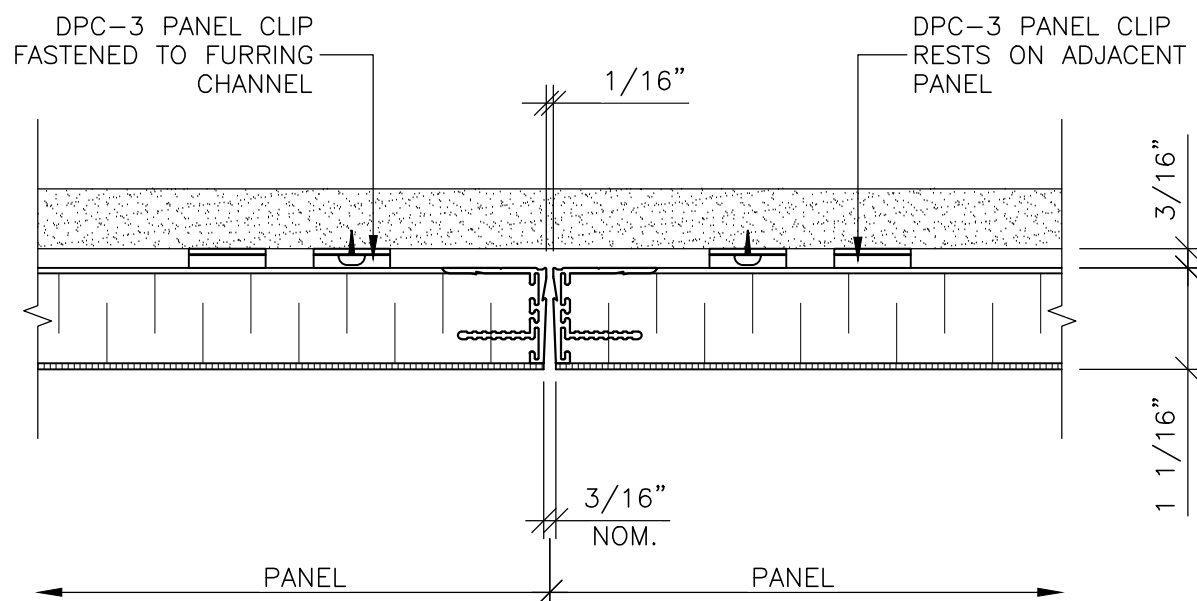
3 DETAIL @ LOCKING CLIP  
D1 SCALE: 6" = 1'-0"



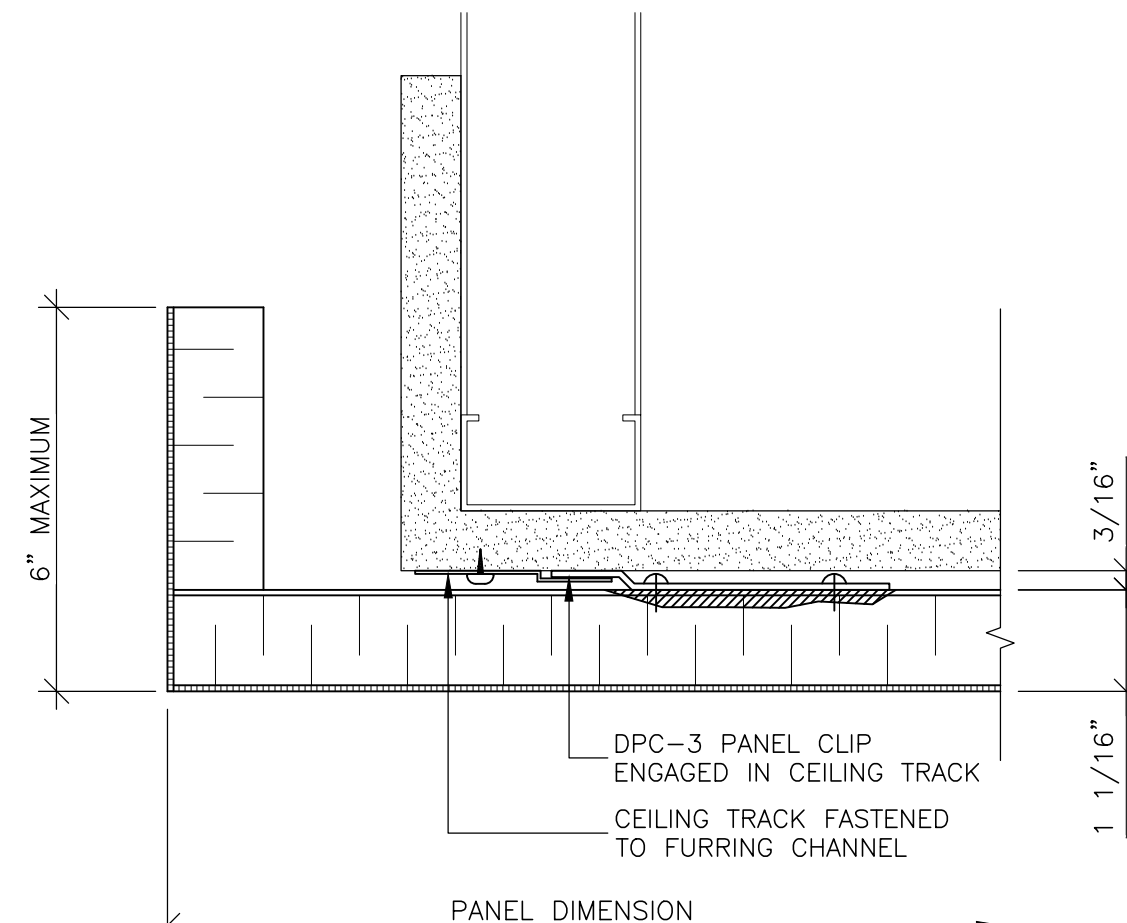
4 PERIMETER DETAIL  
D1 SCALE: 6" = 1'-0"



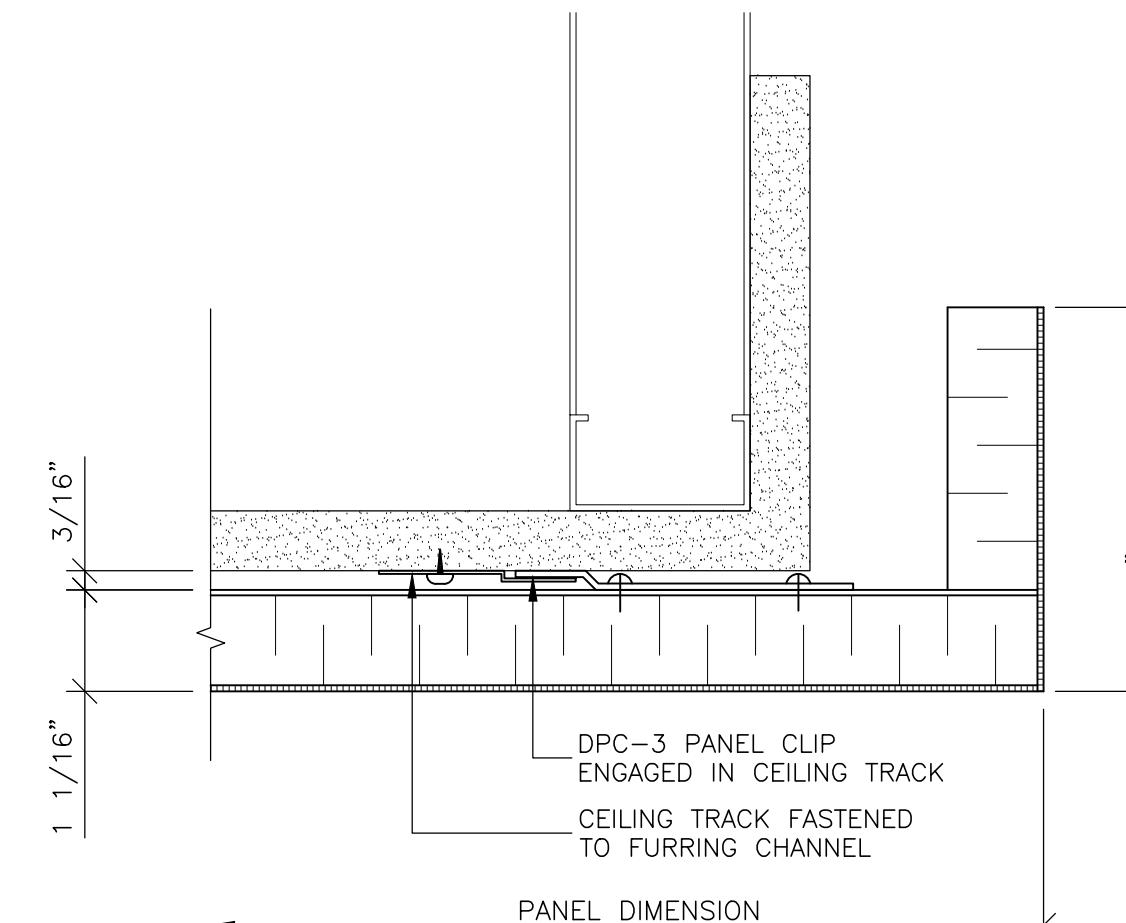
5 PERIMETER DETAIL  
D1 SCALE: 6" = 1'-0"



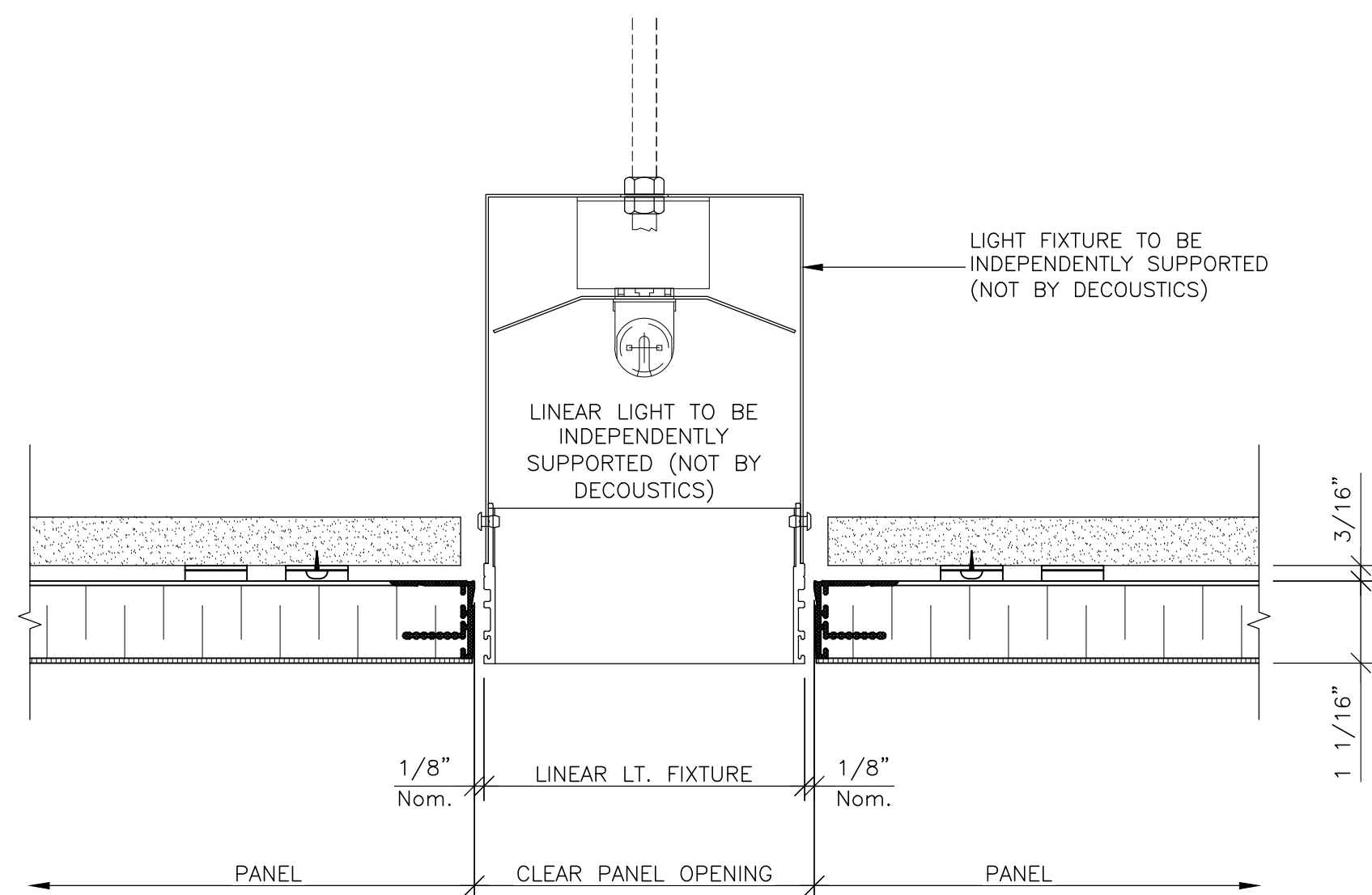
6 DEFINED JOINT DET.  
D1 SCALE: 6" = 1'-0"



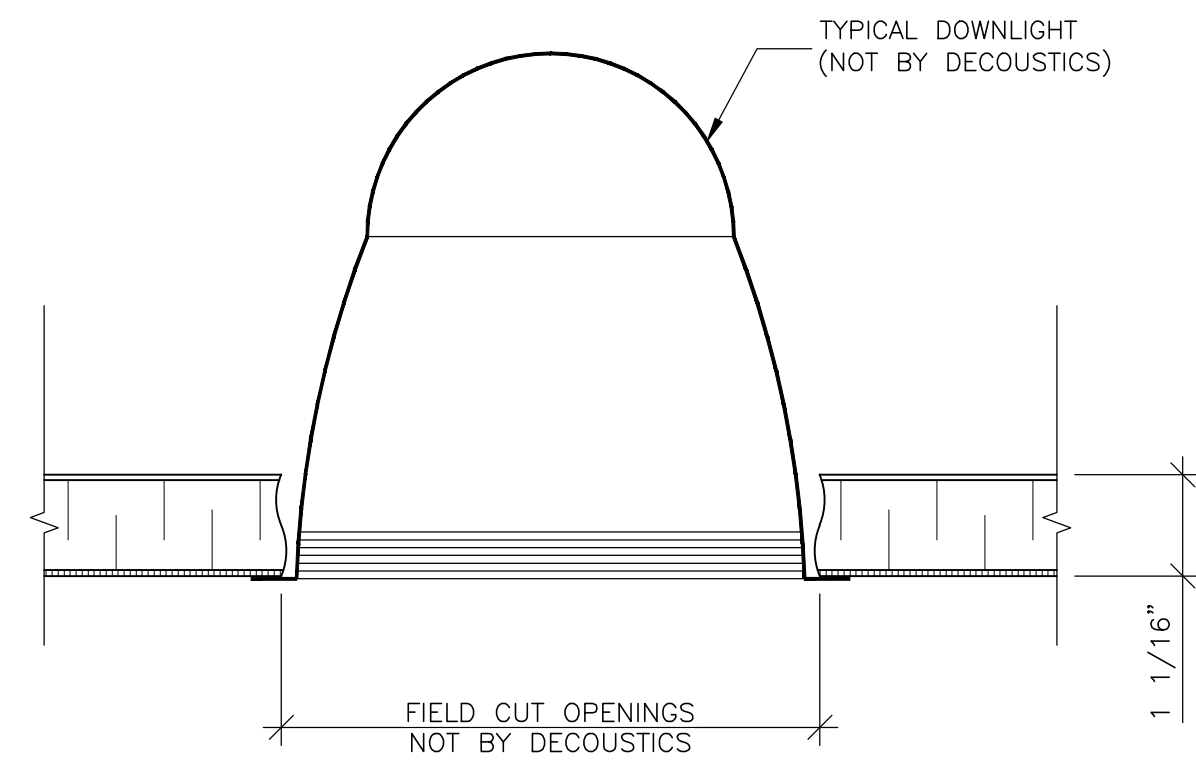
7 BUILT-UP RETURN  
D1 SCALE: 6" = 1'-0"



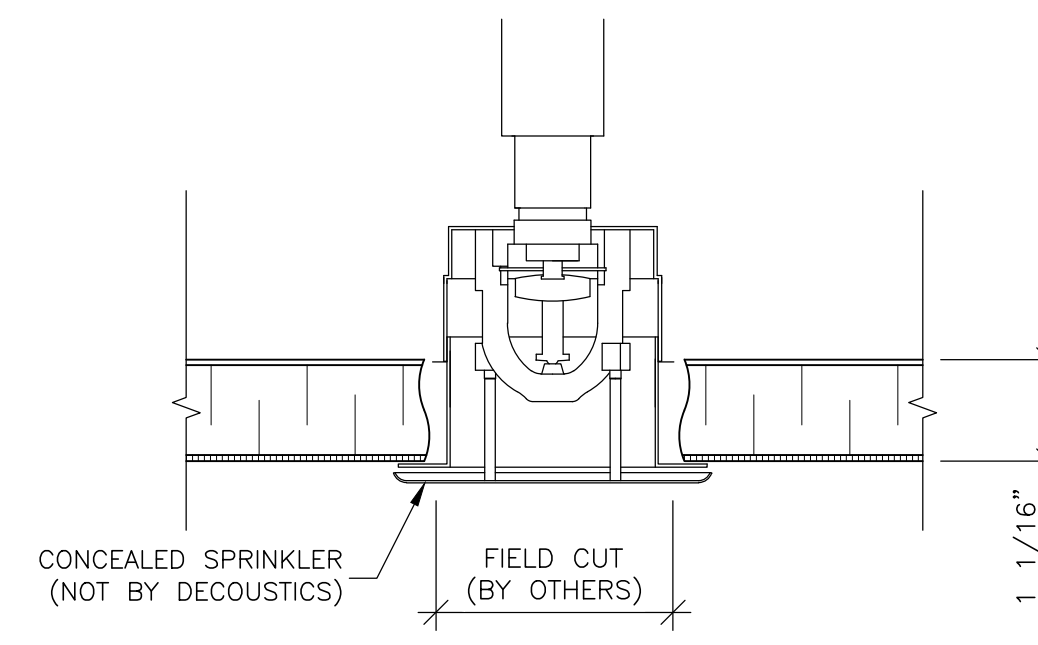
8 BUILT-UP RETURN  
D1 SCALE: 6" = 1'-0"



9 DETAIL @ LINEAR LT. FIXTURE  
D1 SCALE: 6" = 1'-0"



10 DETAIL @ DWN. LT.  
D1 SCALE: 6" = 1'-0"



11 DETAIL @ SPRINKLER  
D1 SCALE: 6" = 1'-0"

GENERAL NOTES:

- (\*) PLEASE SUPPLY FIELD DIMENSIONS TO THE NEAREST 1/16". DECOUSTICS WILL CALCULATE PANEL SIZES.
- PLEASE VERIFY AND CONFIRM ALL DIMENSIONS, MOUNTING METHODS, AND DETAILS.
- ALL PANEL PENETRATIONS FOR LIGHT FIXTURES, ELECTRICAL OUTLETS, ETC. TO BE FIELD CUT BY OTHERS. (NOT BY DECOUSTICS)
- ALL GRILLES, DIFFUSERS, LIGHTS ETC. TO BE SUPPORTED INDEPENDENTLY OF ACOUSTIC PANELS.
- PANELS MUST BE INSTALLED FLAT & LEVEL TO +/- 1/16" OVER 8 FT. IT MAY BE NECESSARY TO SHIM HARDWARE AS REQUIRED.
- THE FINISHES USED ON DECOUSTICS PANELS ARE DIRECTIONAL. THE BACK OF EACH PANEL WILL BE MARKED TO SHOW THE CORRECT ORIENTATION FOR INSTALLATION.
- DO NOT BUTT PANELS NEXT TO EACH OTHER DURING INSTALLATION. ALLOW 1/16" BETWEEN PANELS TO ALLOW FOR PROPER ALIGNMENT.
- FOR ADDITIONAL PANEL INSTALLATION DETAILS, SEE DATA SHEETS.

PANEL

- PANEL TYPE : ME-VATT 1 1/16" THICK FLAT CEILING PANELS  
MOUNTING : DIRECT MOUNT  
EDGE DETAIL : CLARO FINISHED EXTRUDED ALUMINUM, SQUARE EDGES, 3/16" DEFINED PANEL JOINTS AND 1" REVEAL AROUND PERIMETER OF CEILING  
FINISH : STANDARD WHITE CLARO
- PANEL TYPE : ME-VATT 1 1/16" THICK FLAT CEILING PANELS  
MOUNTING : DIRECT MOUNT  
EDGE DETAIL : CLARO FINISHED EXTRUDED ALUMINUM, SQUARE EDGES, 3/16" DEFINED PANEL JOINTS AND 1" REVEAL AROUND PERIMETER OF CEILING  
FINISH : STANDARD WHITE CLARO

CLARO - DIRECT MOUNT

REV.	PURPOSE	DATE
0	REVISION	28 APRIL 2020

THIS DRAWING IS THE SOLE PROPERTY OF DECOUSTICS LIMITED AND CONTAINS CONFIDENTIAL INFORMATION AND IS TO BE USED ONLY UNDER EXPRESS AUTHORITY GIVEN, IN WRITING, BY DECOUSTICS LIMITED.

**decoustics**  
SAINT-GOBAIN

61 Royal Group Crescent, Woodbridge  
Ontario L4H 1X9 Canada  
Toll Free: 800-387-3809  
Main: 905-652-5200  
Fax: 905-652-2505

DRAWING	DRAWN BY JL	DWG. NO.
	CHECKED BY SP	<b>D1</b>
ARCHITECT	PROJECT # #####	
	ARCHITECT	1 OF X