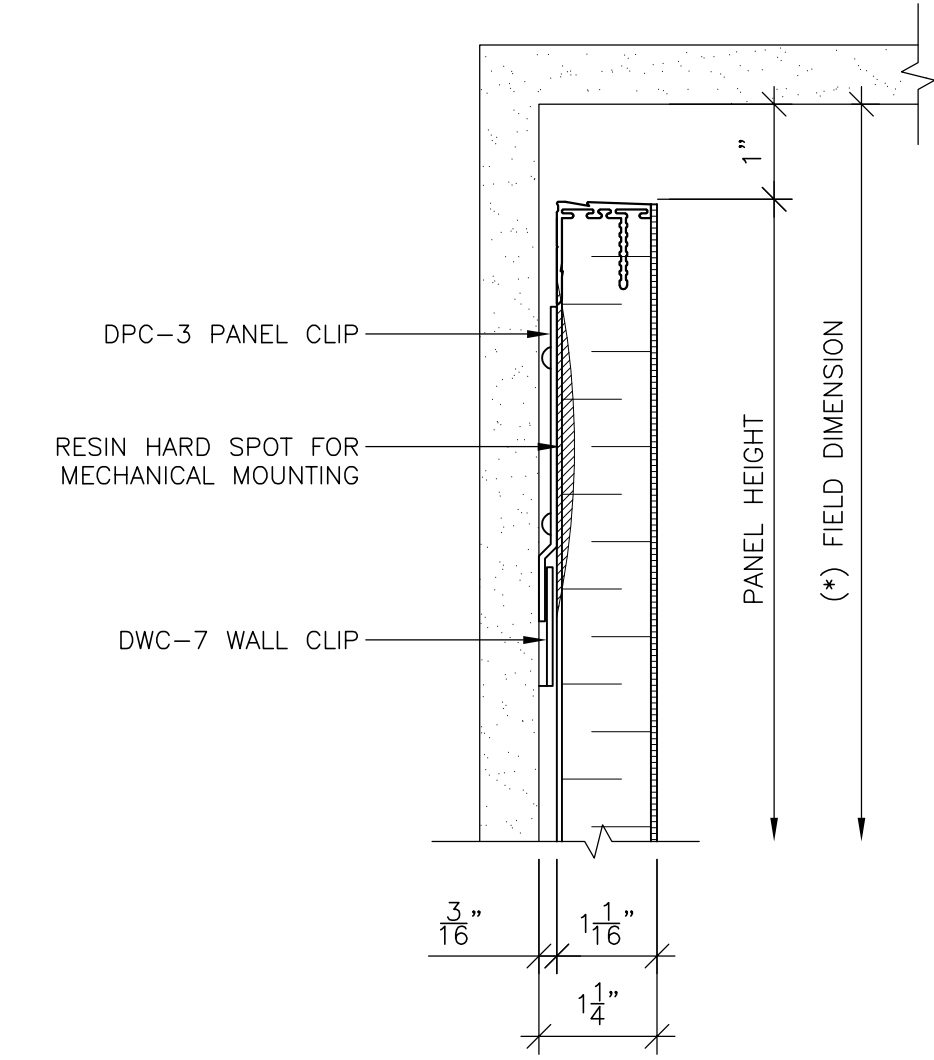
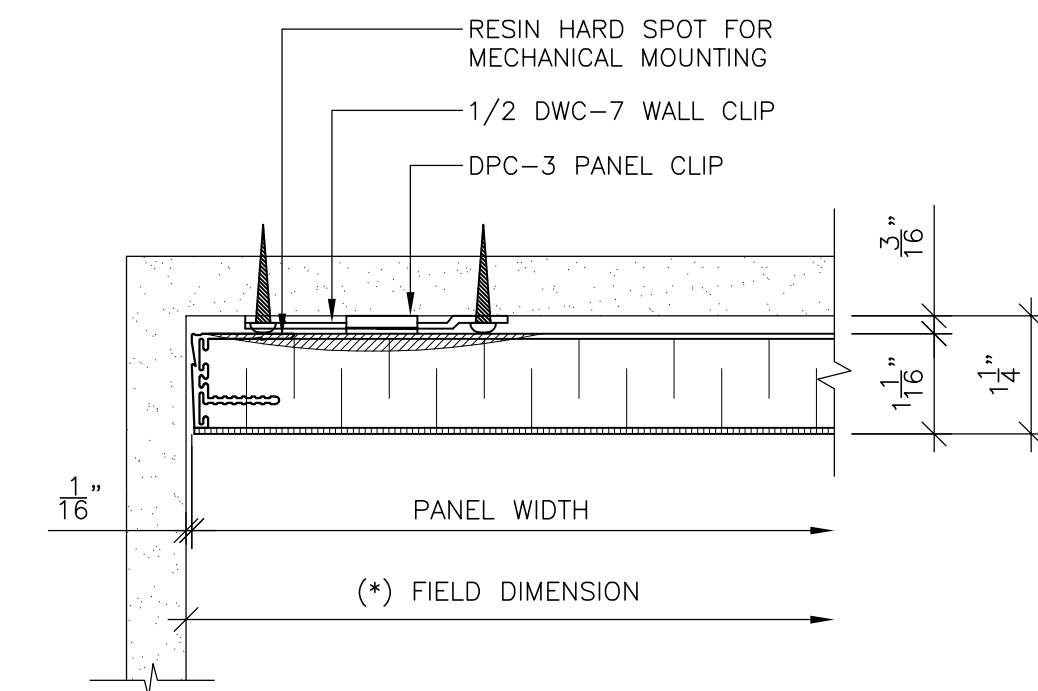


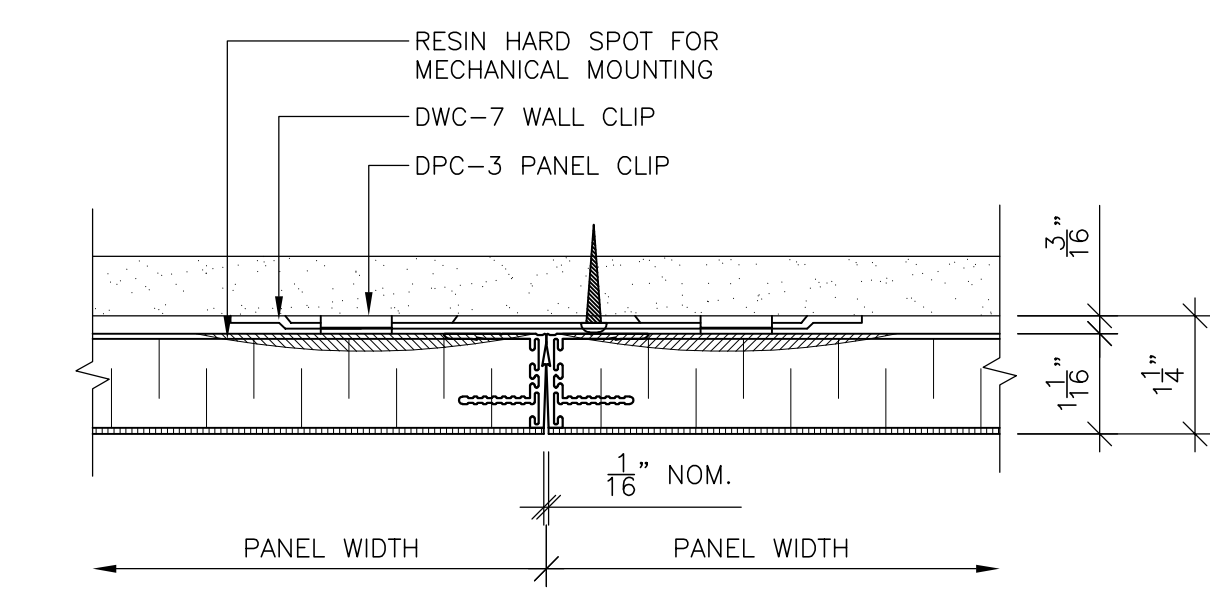
1 PANEL HEAD @ WALL
SCALE: 6" = 1'-0"
REF:



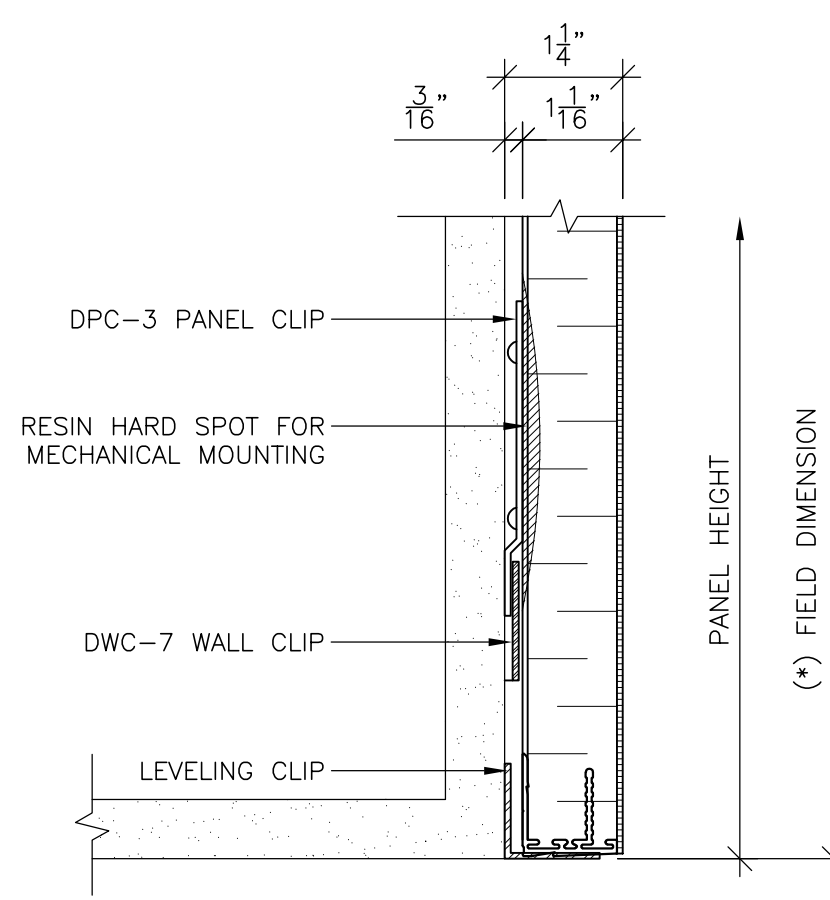
2 PANEL HEAD @ BULKHEAD
SCALE: 6" = 1'-0"
REF:



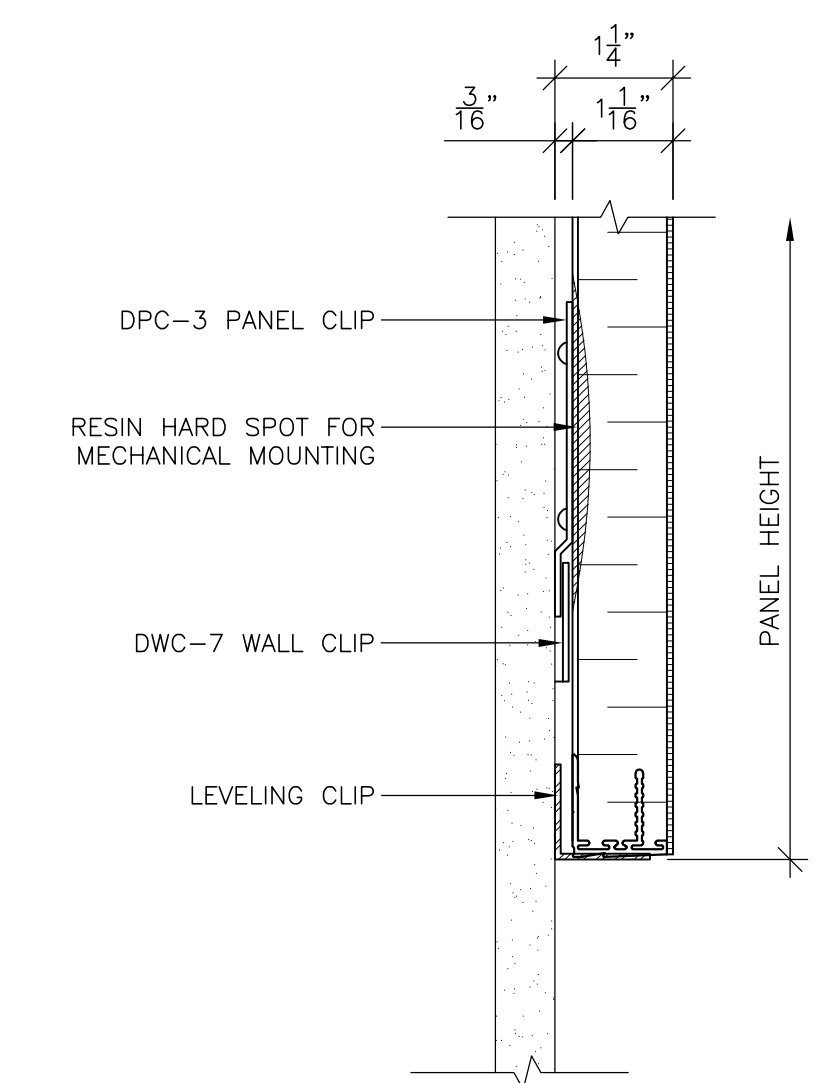
3 PANEL END @ WALL
SCALE: 6" = 1'-0"
REF:



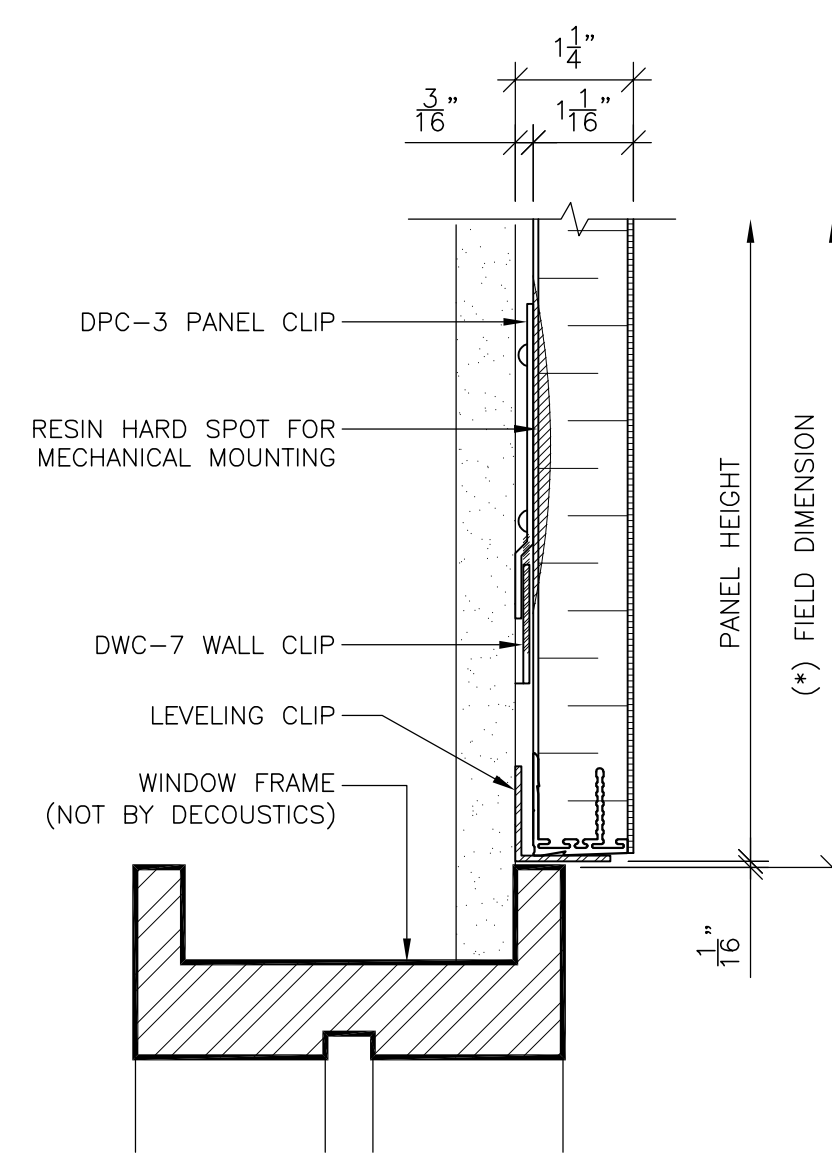
4 VERT. BUTT JOINT DET.
SCALE: 6" = 1'-0"
REF:



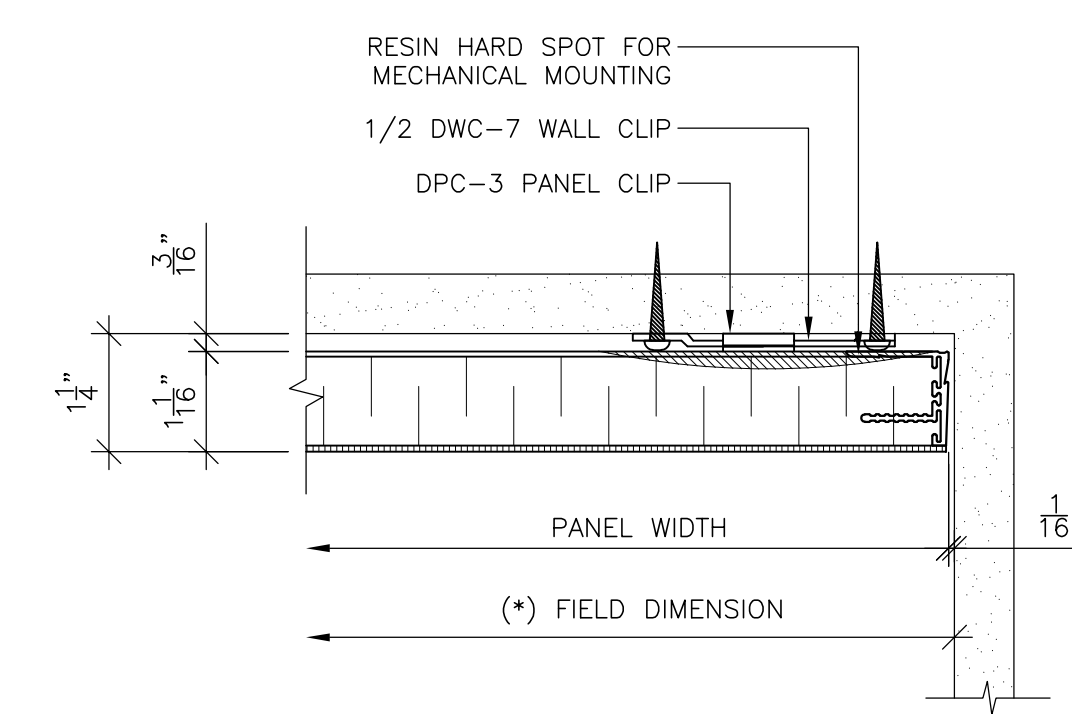
5 PANEL BASE @ BULKHEAD
SCALE: 6" = 1'-0"
REF:



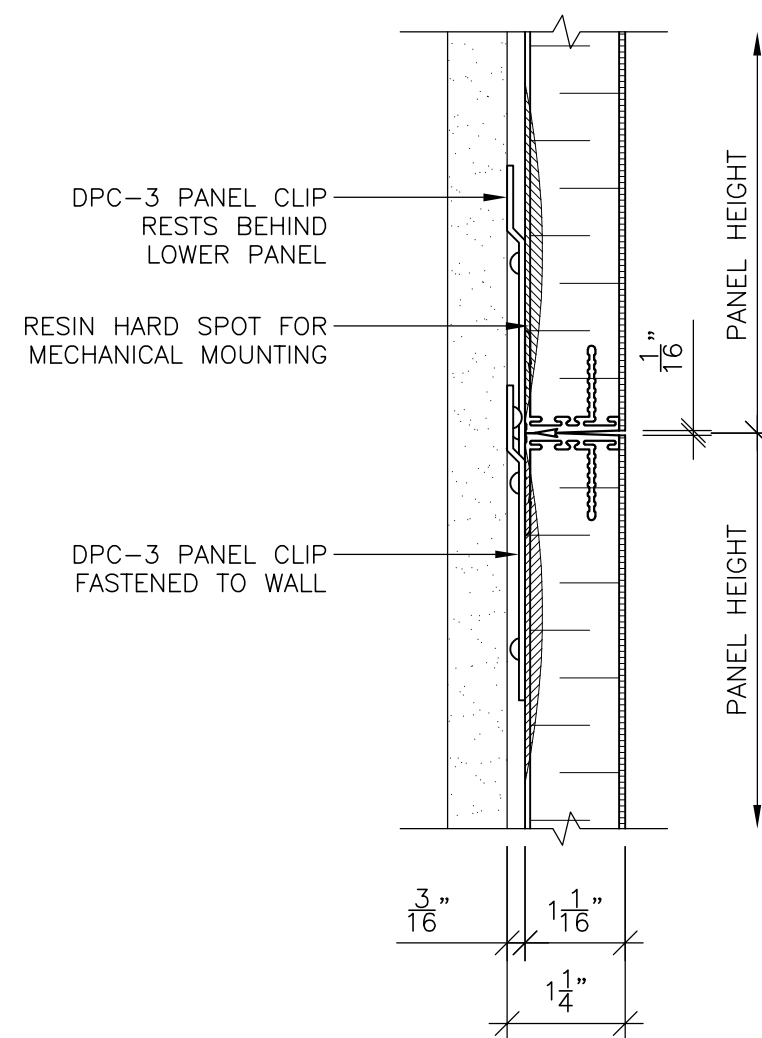
6 PANEL BASE @ WALL
SCALE: 6" = 1'-0"
REF:



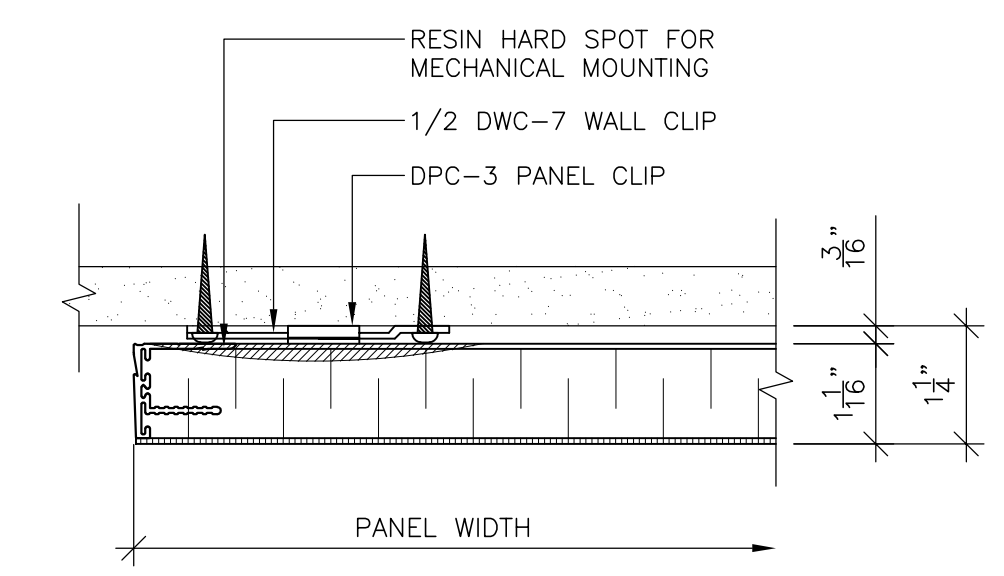
7 PANEL BASE @ FRAME
SCALE: 6" = 1'-0"
REF:



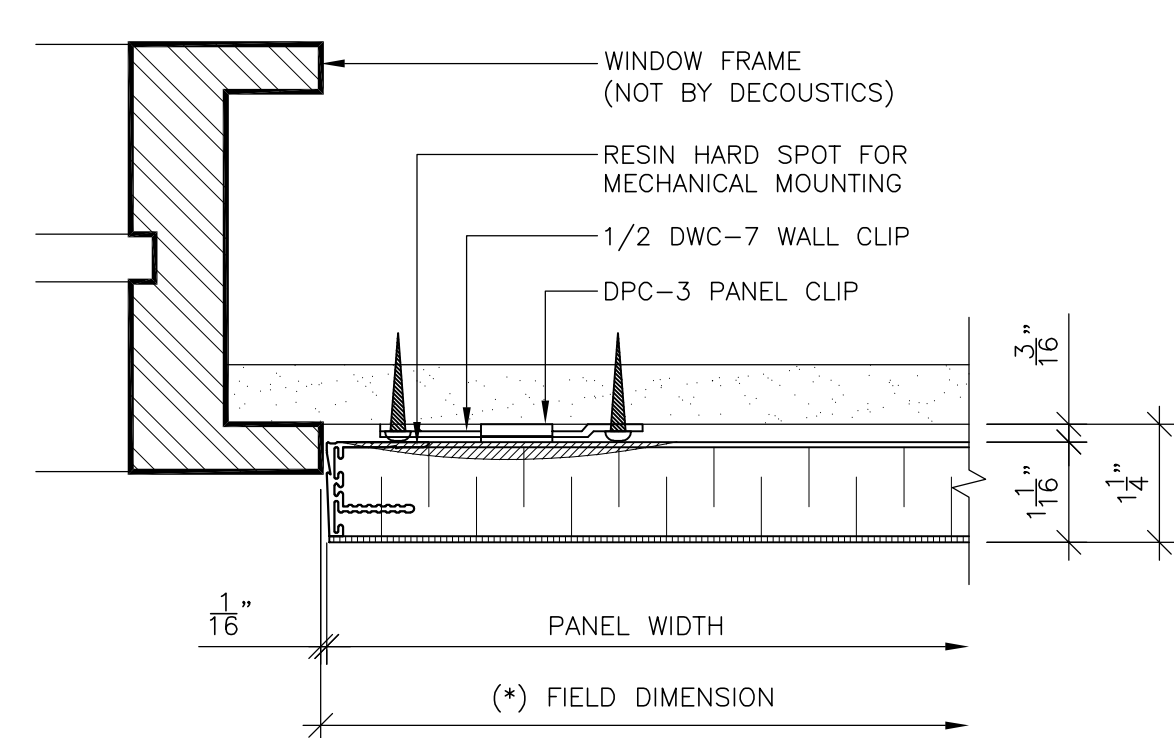
8 PANEL END @ WALL
SCALE: 6" = 1'-0"
REF:



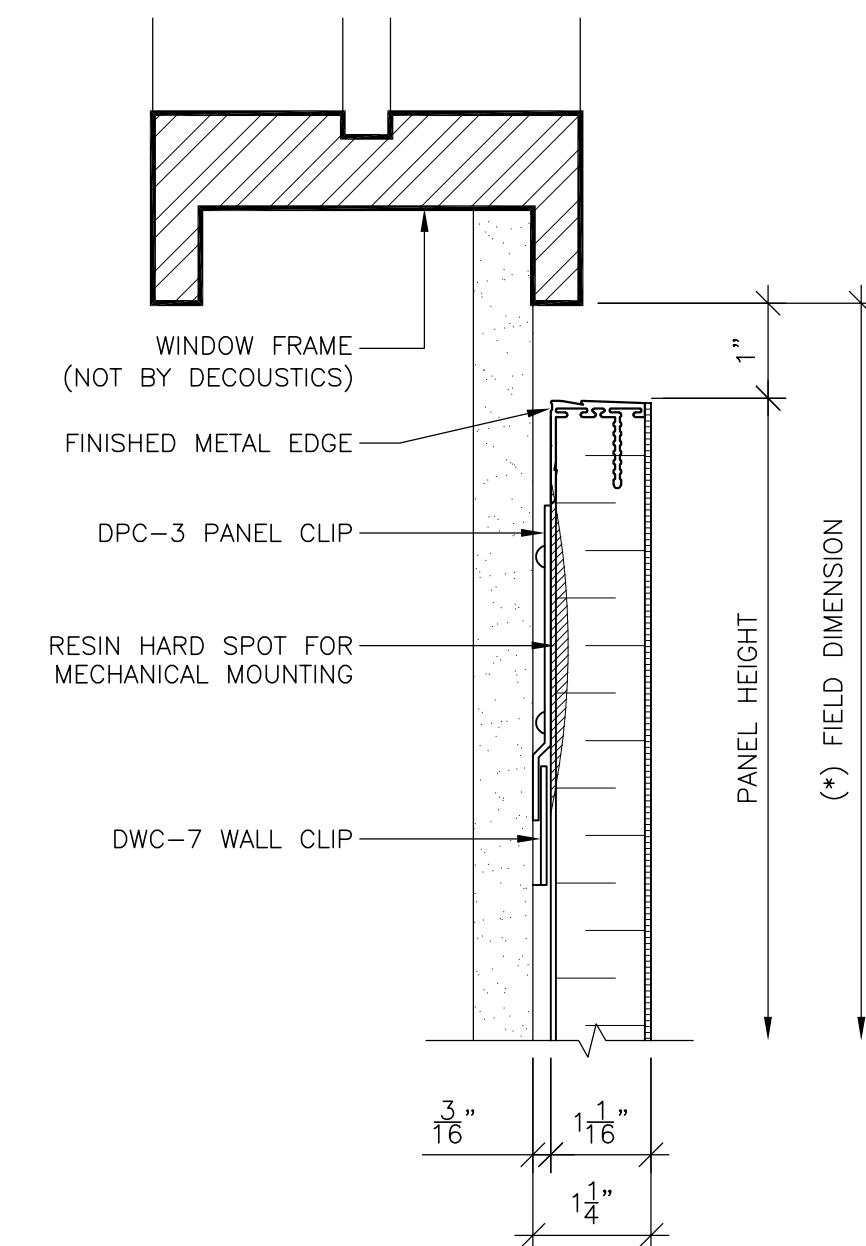
9 HORIZ. BUTT JOINT DET.
SCALE: 6" = 1'-0"
REF:



10 PANEL END @ WALL
SCALE: 6" = 1'-0"
REF:



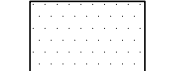
11 PANEL END @ FRAME
SCALE: 6" = 1'-0"
REF:



12 PANEL HEAD @ FRAME
SCALE: 6" = 1'-0"
REF:

GENERAL NOTES:

- (*) PLEASE SUPPLY FIELD DIMENSIONS TO THE NEAREST 1/16". DECOUSTICS WILL CALCULATE PANEL SIZES.
- PLEASE VERIFY AND CONFIRM ALL DIMENSIONS, MOUNTING METHODS, AND DETAILS.
- ALL PANEL PENETRATIONS FOR LIGHT FIXTURES, ELECTRICAL OUTLETS, ETC. TO BE FIELD CUT BY OTHERS. (NOT BY DECOUSTICS)
- ALL GRILLES, FIXTURES, LIGHTS ETC. TO BE SUPPORTED INDEPENDENTLY OF WALL PANELS.
- THE FINISHES USED ON DECOUSTICS PANELS ARE DIRECTIONAL. THE BACK OF EACH PANEL WILL BE MARKED TO SHOW THE CORRECT ORIENTATION FOR INSTALLATION.
- FOR ADDITIONAL PANEL INSTALLATION DETAILS, SEE DATA SHEETS.

PANEL

 PANEL TYPE: ME-VATT 1 1/16" THICK FLAT WALL PANELS
 MOUNTING: MECHANICAL MOUNT
 EDGE DETAIL: CLARO FINISHED EXTRUDED ALUMINUM, SQUARE EDGES, AND 1" MIN. REVEAL AROUND PERIMETER
 FINISH: STANDARD WHITE CLARO

CLARO - WALL MOUNT

REV.	PURPOSE	DATE
0	REVISION	28 APRIL 2020

THIS DRAWING IS THE SOLE PROPERTY OF DECOUSTICS LIMITED AND CONTAINS CONFIDENTIAL INFORMATION AND IS TO BE USED ONLY UNDER EXPRESS AUTHORITY GIVEN, IN WRITING, BY DECOUSTICS LIMITED.

decoustics
 SAINT-GOBAIN
 61 Royal Group Crescent, Woodbridge
 Ontario L4H 1H9 Canada
 Toll Free: 800-387-3909
 Mac: 905-602-2000
 Fax: 905-602-2505

DRAWING	DRAWING TITLE	DRAWN BY	DWG. NO.
	ARCHITECT	JL	
		CHECKED BY	D1
		SP	
		PROJECT #	#####
			1 OF X