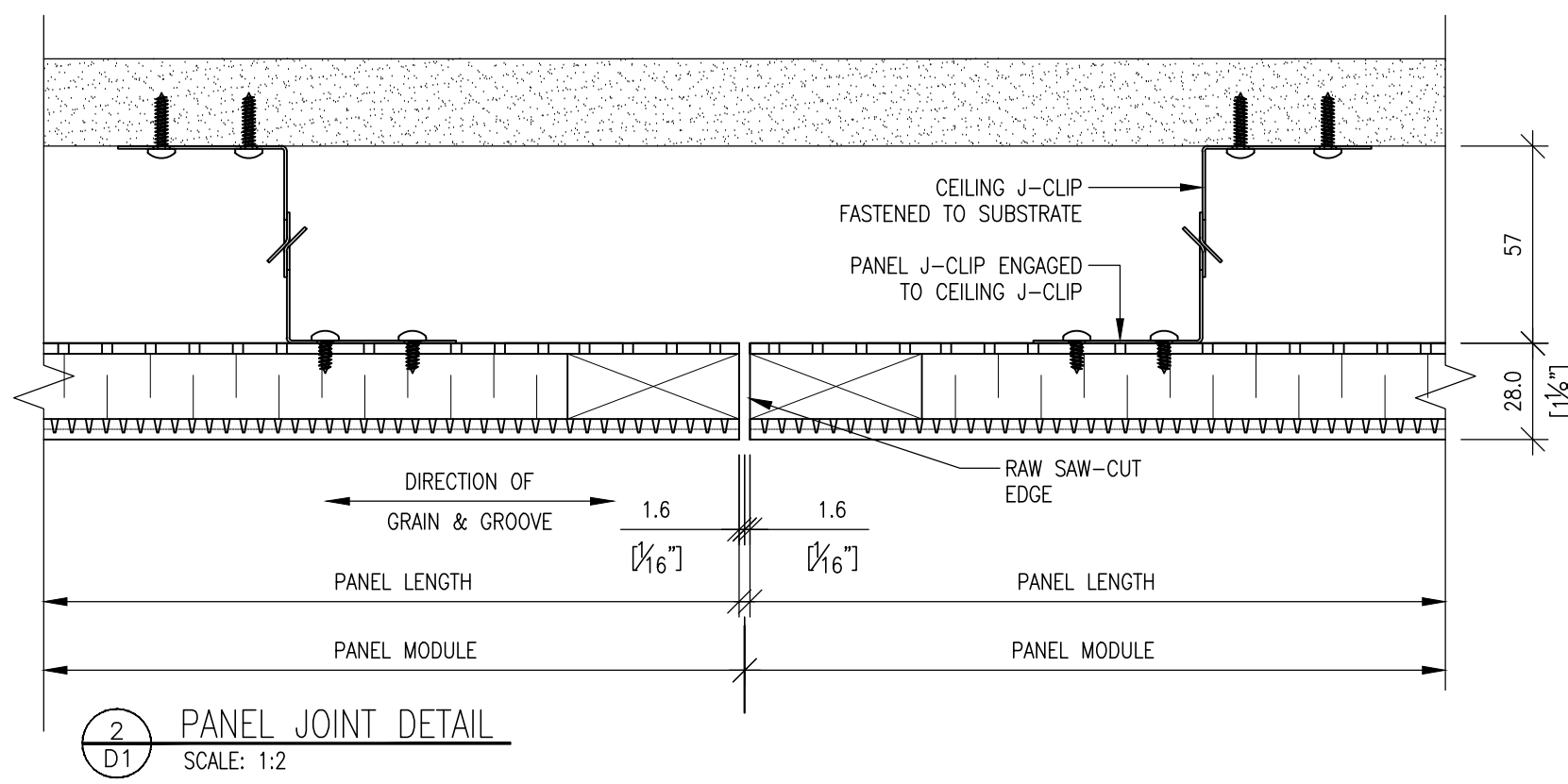
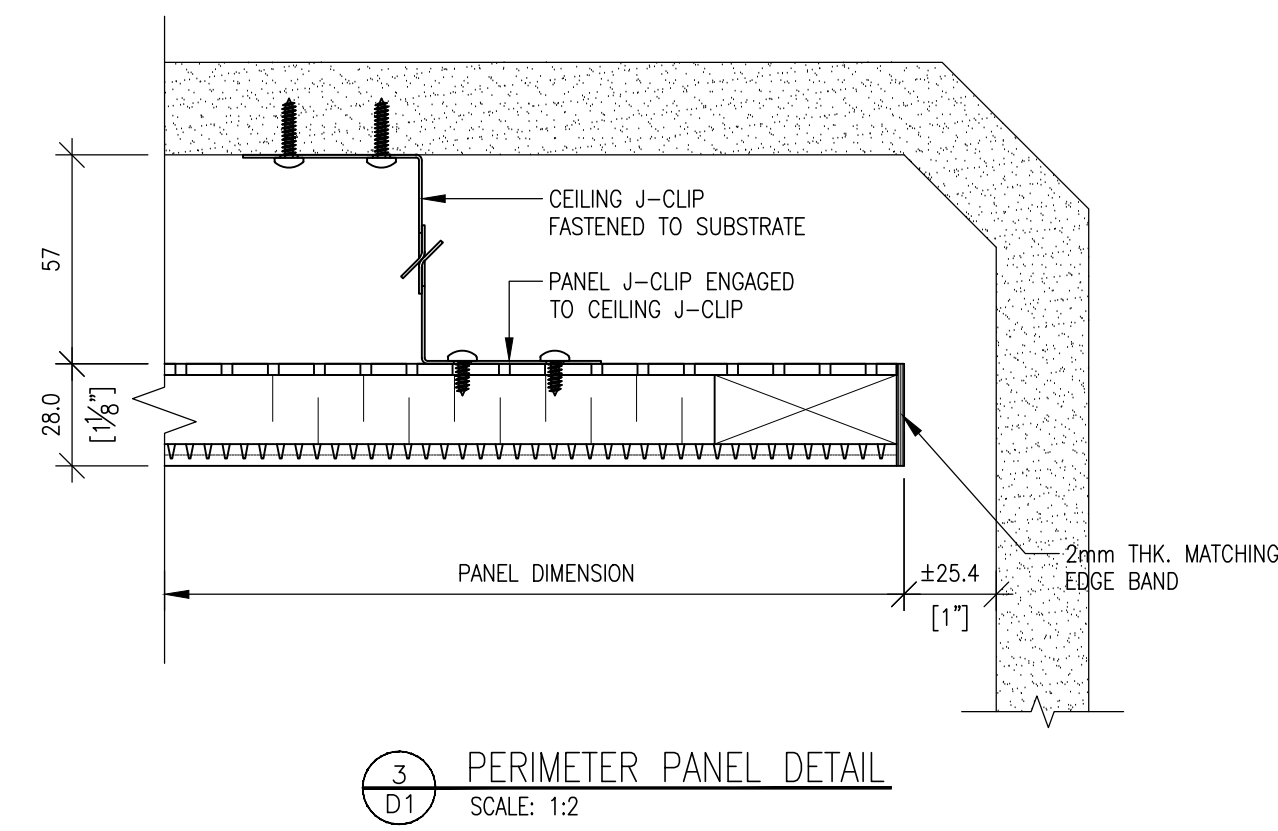


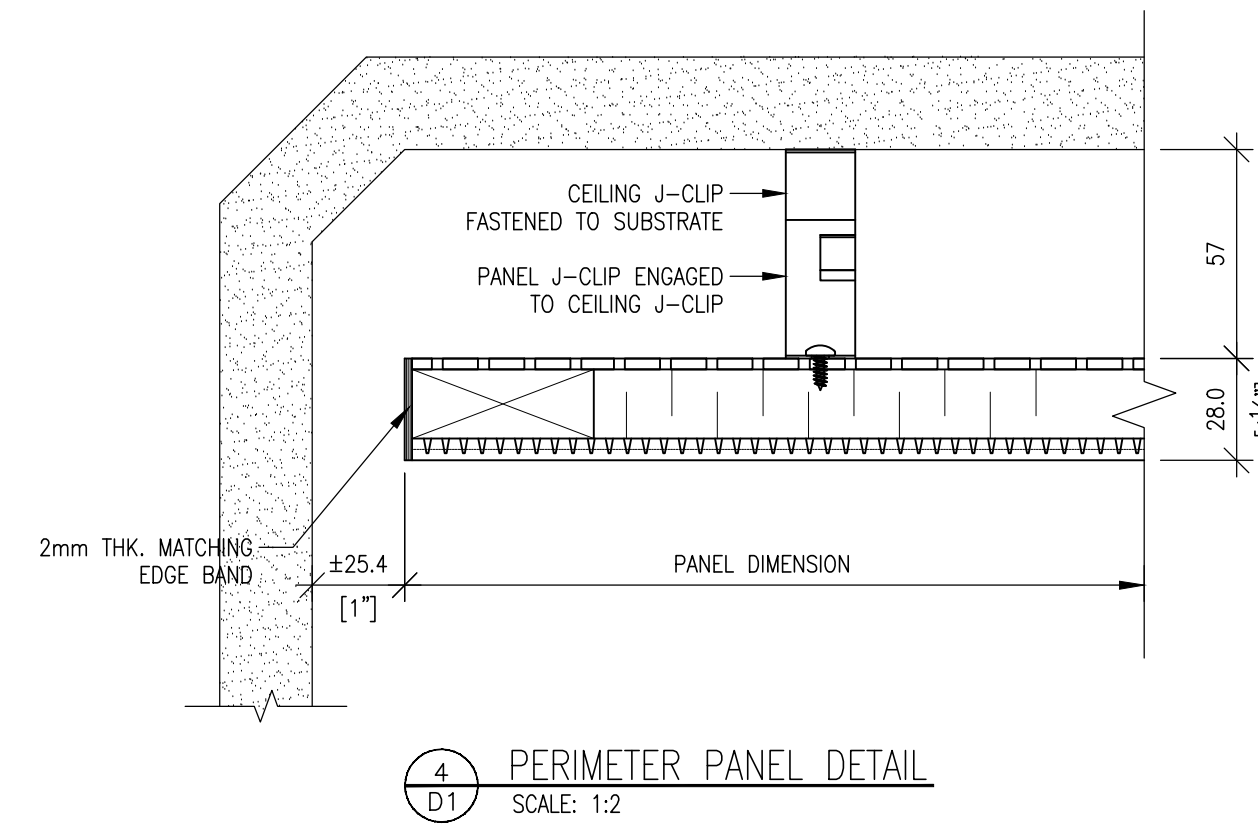
1 PERIMETER PANEL DETAIL
D1 SCALE: 1:2



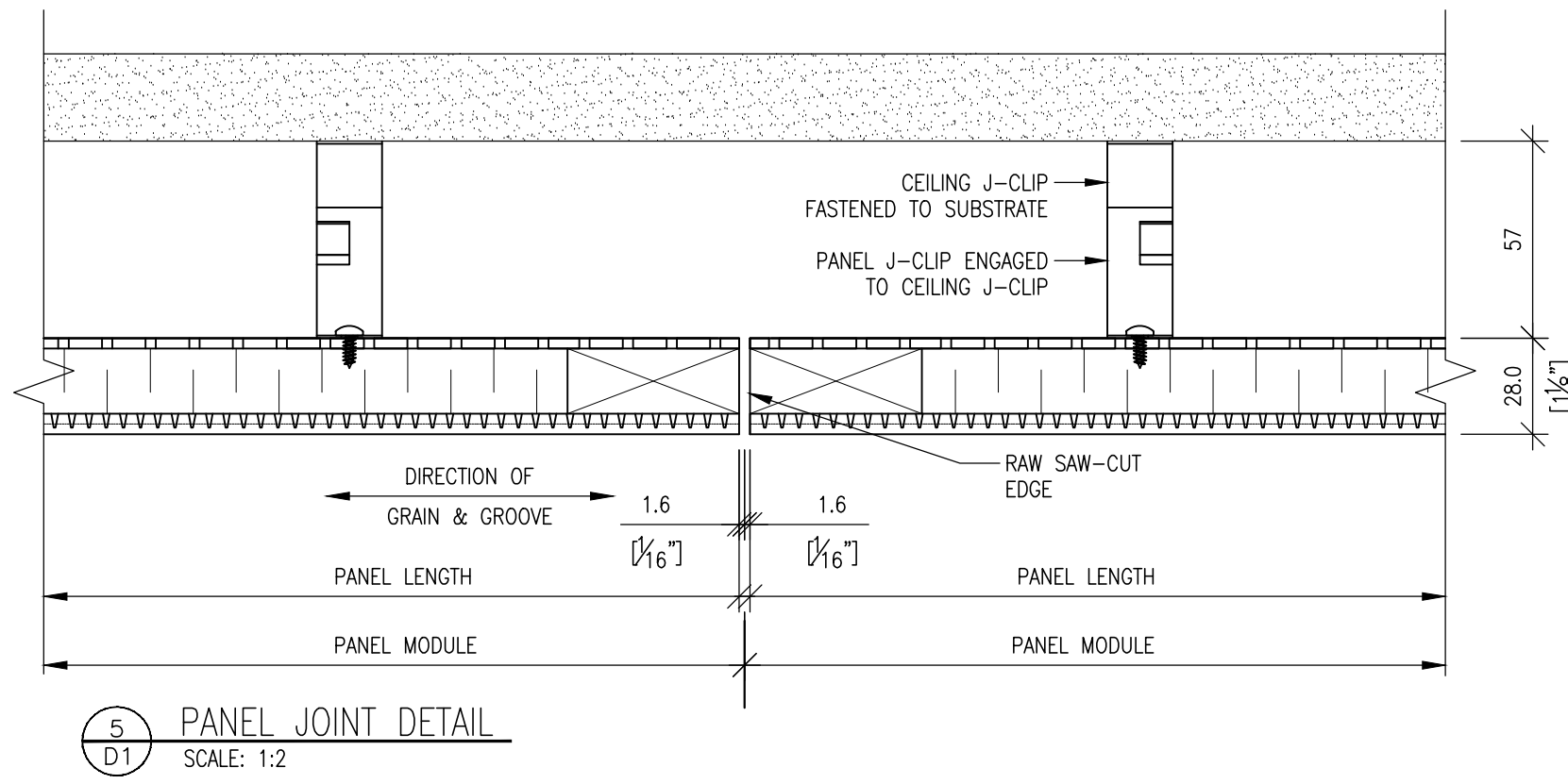
2 PANEL JOINT DETAIL
D1 SCALE: 1:2



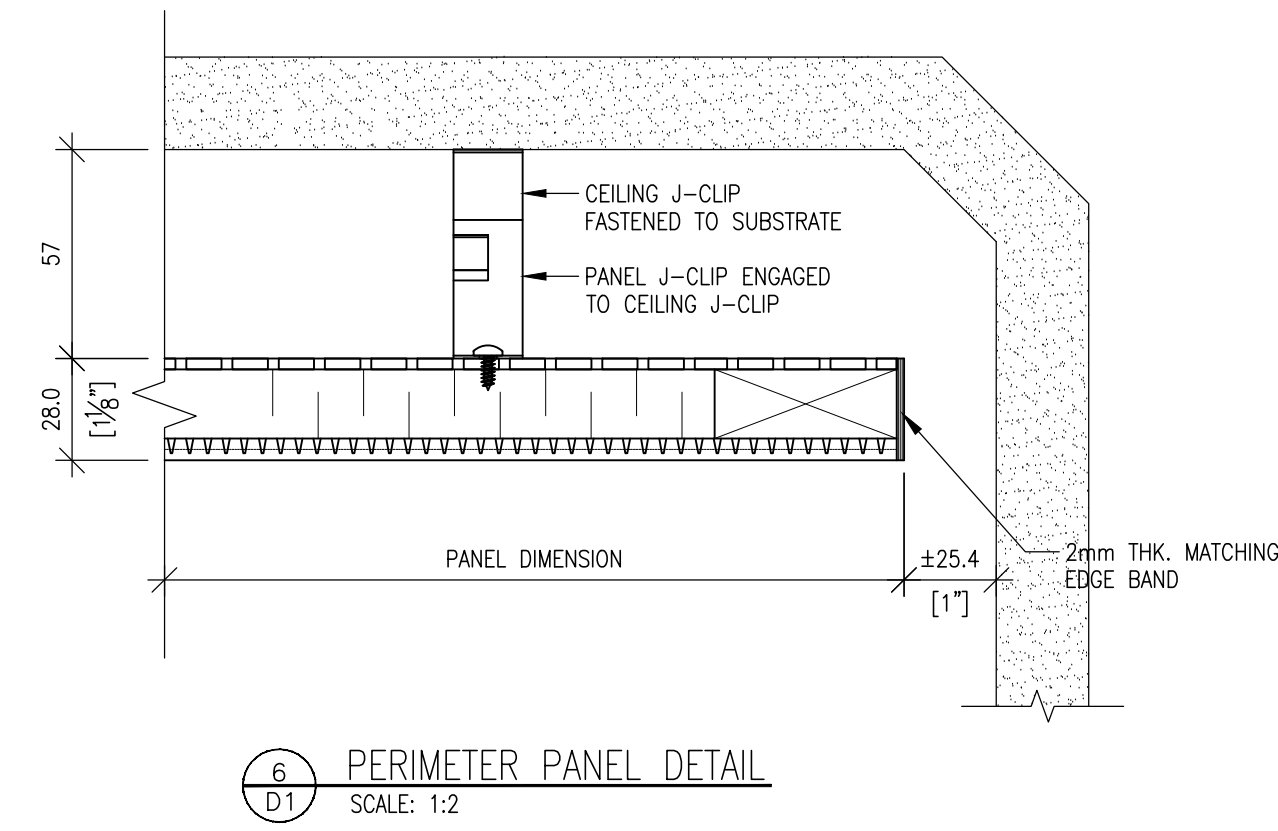
3 PERIMETER PANEL DETAIL
D1 SCALE: 1:2



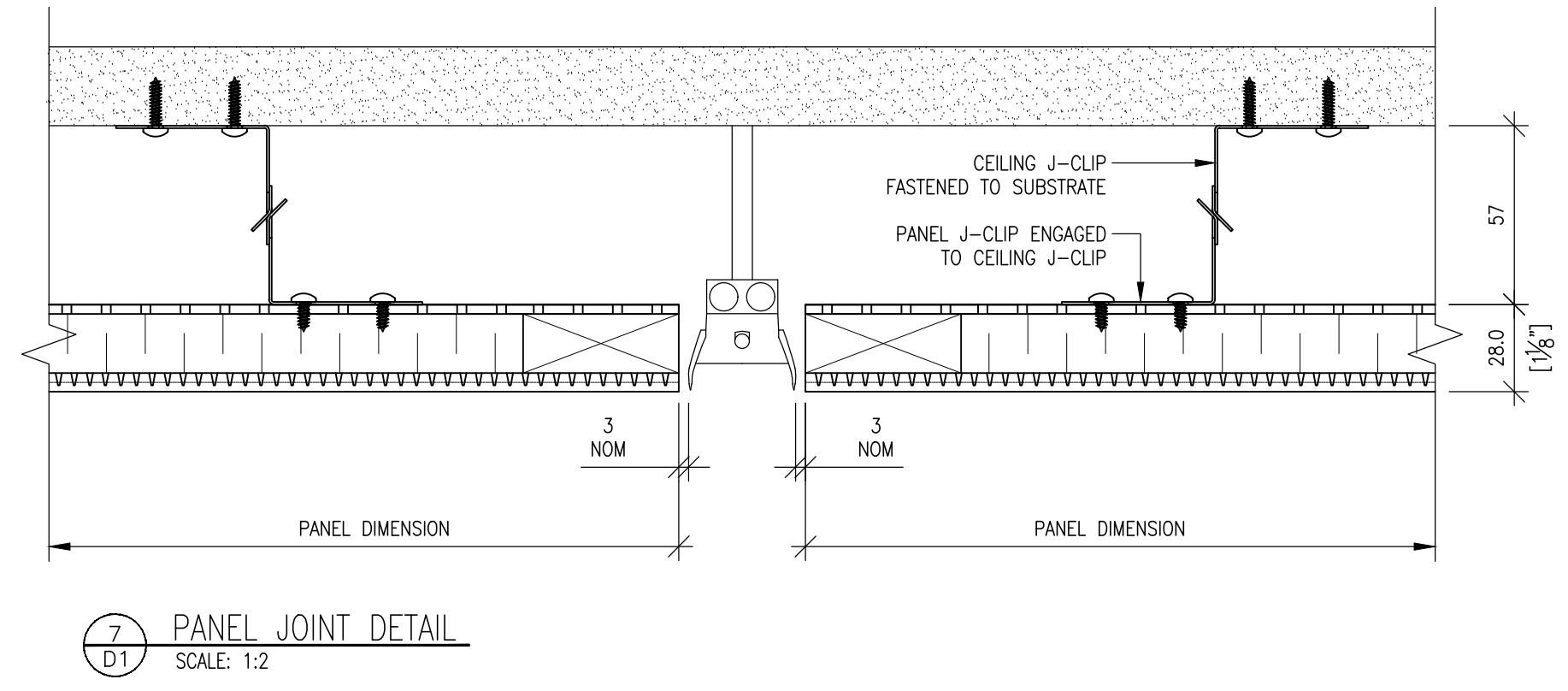
4 PERIMETER PANEL DETAIL
D1 SCALE: 1:2



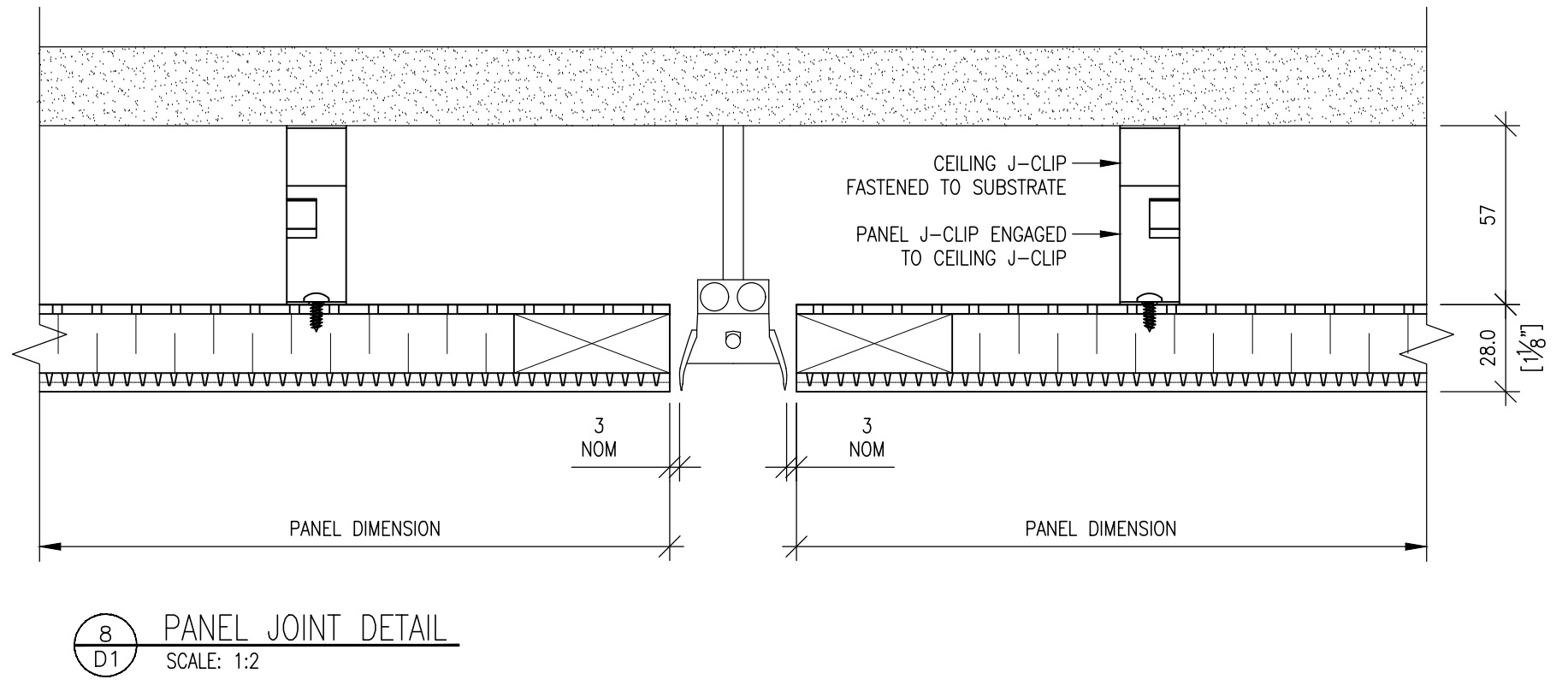
5 PANEL JOINT DETAIL
D1 SCALE: 1:2



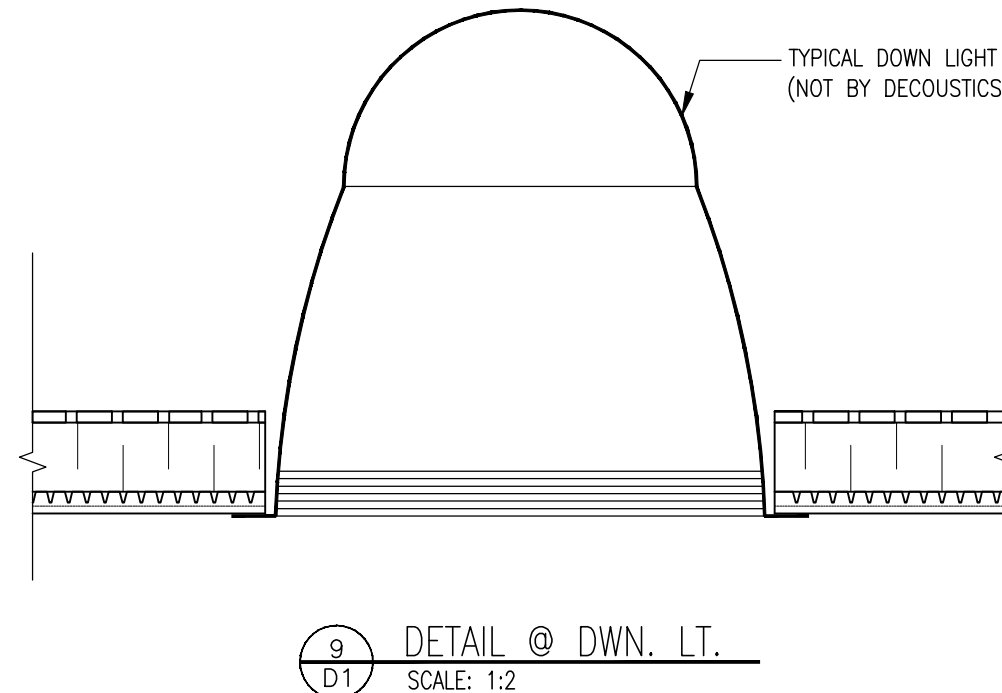
6 PERIMETER PANEL DETAIL
D1 SCALE: 1:2



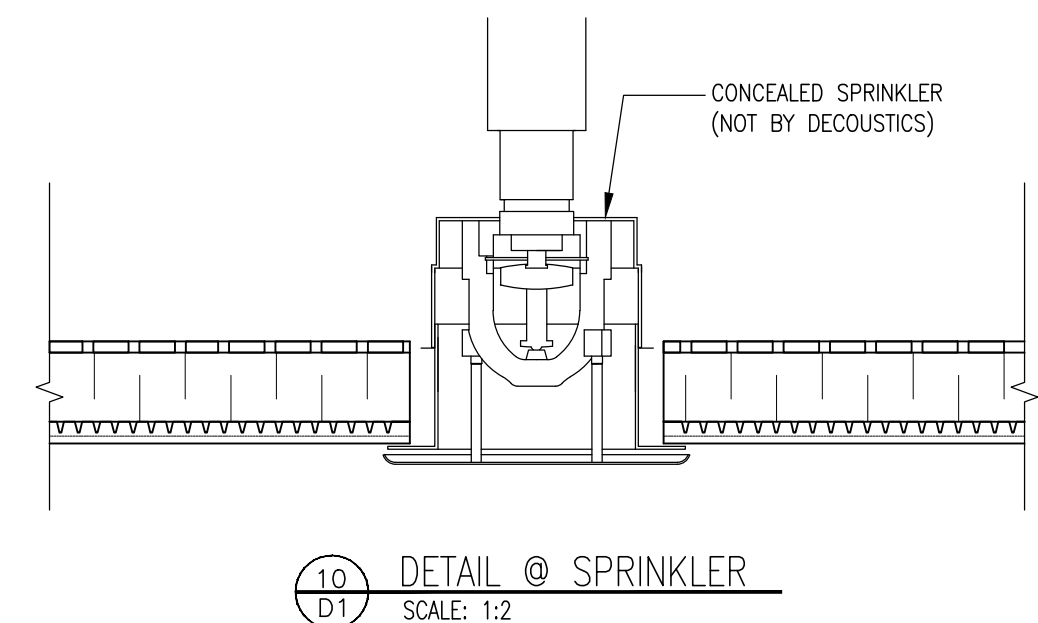
7 PANEL JOINT DETAIL
D1 SCALE: 1:2



8 PANEL JOINT DETAIL
D1 SCALE: 1:2



9 DETAIL @ DWN. LT.
D1 SCALE: 1:2



10 DETAIL @ SPRINKLER
D1 SCALE: 1:2

GENERAL NOTES:

- (*) PLEASE SUPPLY FIELD DIMENSIONS TO THE NEAREST 2mm. DECOUSTICS WILL CALCULATE PANEL SIZES.
- PLEASE VERIFY AND CONFIRM ALL DIMENSIONS, MOUNTING METHODS, AND DETAILS.
- ALL PANEL PENETRATIONS FOR LIGHT FIXTURES, ELECTRICAL OUTLETS, ETC. TO BE FIELD CUT BY OTHERS. (NOT BY DECOUSTICS)
- ALL GRILLES, DIFFUSERS, LIGHTS ETC. TO BE SUPPORTED INDEPENDENTLY OF ACOUSTIC PANELS.
- PANELS MUST BE INSTALLED FLAT & LEVEL TO +/- 2mm OVER 2450mm IT MAY BE NECESSARY TO SHIM HARDWARE AS REQUIRED.
- THE FINISHES USED ON DECOUSTICS PANELS ARE DIRECTIONAL. THE BACK OF EACH PANEL WILL BE MARKED TO SHOW THE CORRECT ORIENTATION FOR INSTALLATION.
- DO NOT BUTT PANELS NEXT TO EACH OTHER DURING INSTALLATION. ALLOW 2mm BETWEEN PANELS TO ALLOW FOR PROPER ALIGNMENT.
- FOR ADDITIONAL PANEL INSTALLATION DETAILS, SEE DATA SHEETS.

PANEL

	PANEL TYPE:	QPP-19 TYPE 5, 28mm [1-1/8"] THICK FLAT CEILING PANELS
	MOUNTING:	DIRECT MOUNT MOUNT
	EDGE DETAIL:	TBD
	VENEER TYPE:	TBD
	FINISH:	TBD

	PANEL TYPE:	QPP-19 TYPE 5, 28mm [1-1/8"] THICK FLAT CEILING PANELS
	MOUNTING:	DIRECT SUSPENDED MOUNT
	EDGE DETAIL:	TBD
	VENEER TYPE:	TBD
	FINISH:	TBD

QUADRILLO - COFFER

REV.	PURPOSE	DATE
0	REVISION	27 MAY 2020

THIS DRAWING IS THE SOLE PROPERTY OF DECOUSTICS LIMITED AND CONTAINS CONFIDENTIAL INFORMATION AND IS TO BE USED ONLY UNDER EXPRESS AUTHORITY GIVEN, IN WRITING, BY DECOUSTICS LIMITED.

decoustics
SAINT-GOBAIN

61 Royal Group Crescent, Woodbridge
Ontario L4H 1Y3 Canada
Tel Free: 800-387-3809
Main: 905-852-5200
Fax: 905-852-2505

DRAWING TITLE	DRAWN BY	DWG. NO.
ARCHITECT	JL	D1
ARCHITECT	CHECKED BY	PROJECT #
	SP	#####
		1 OF X