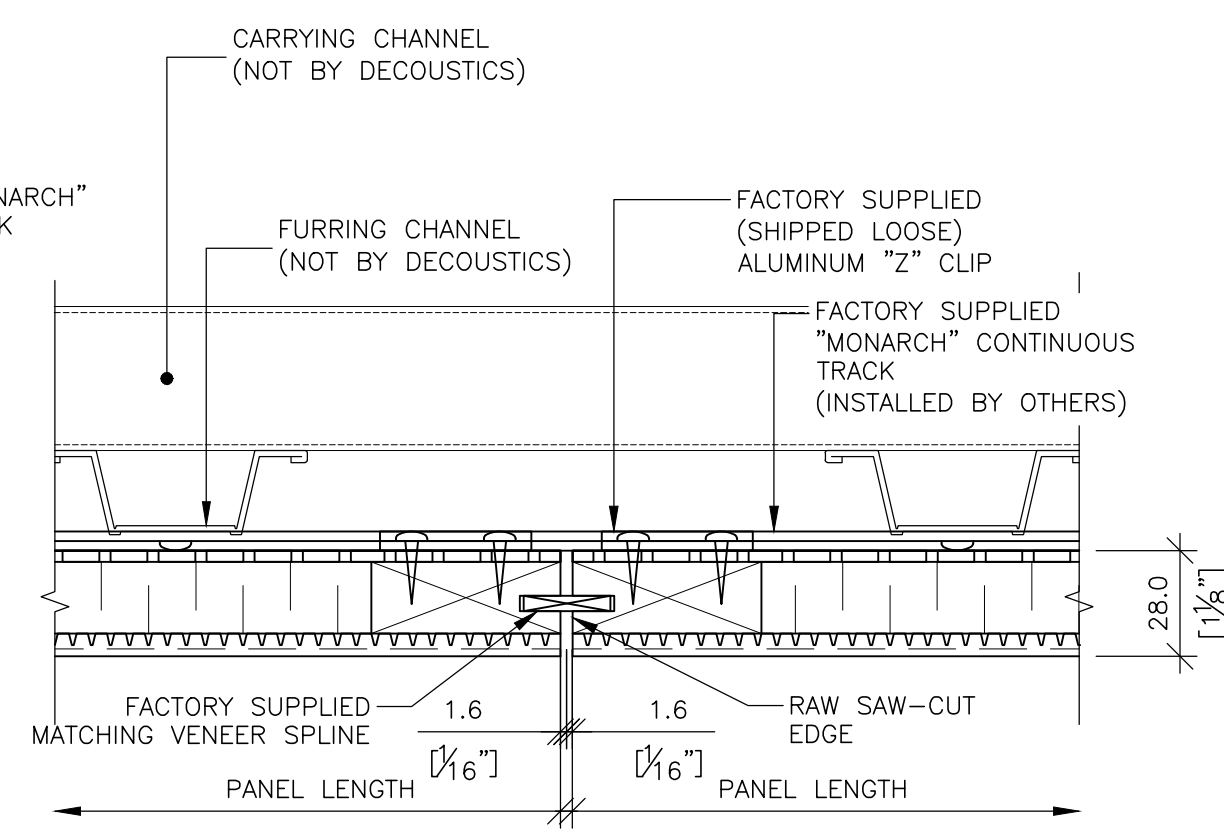
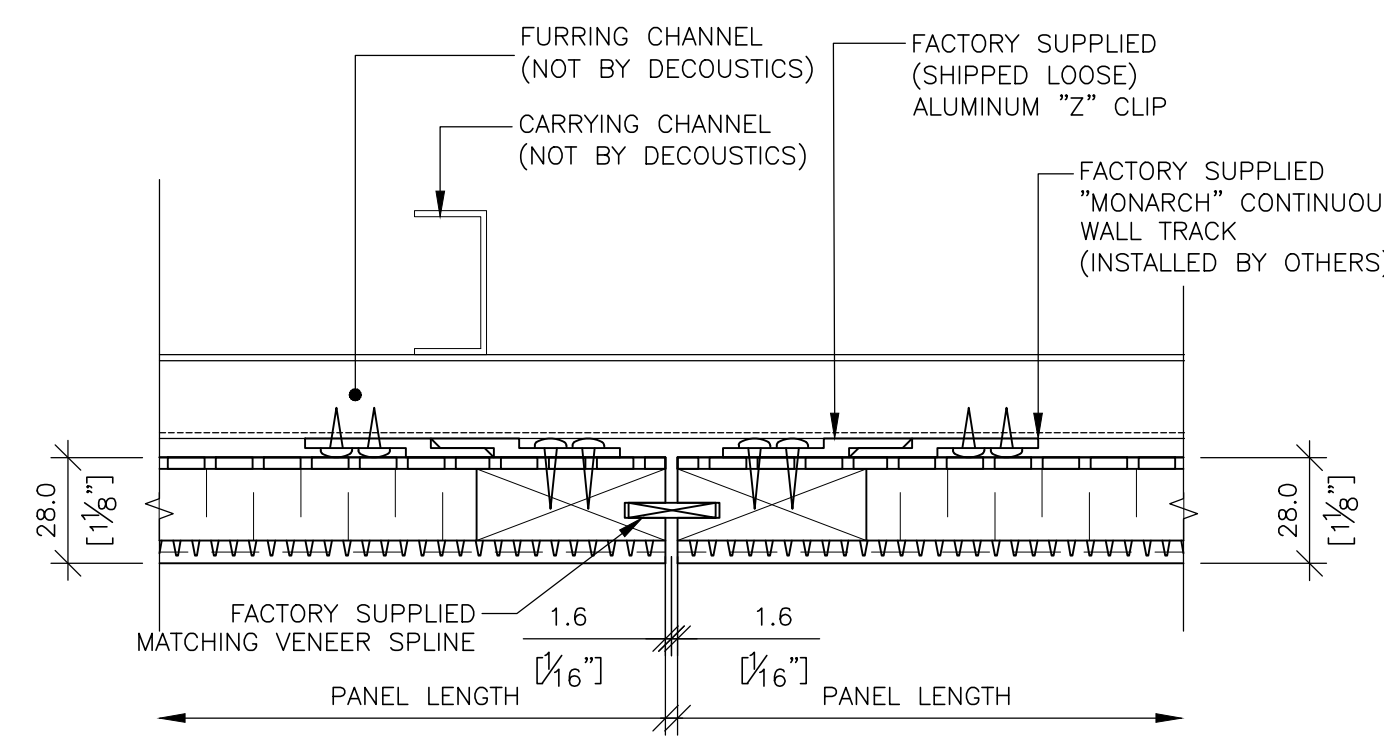


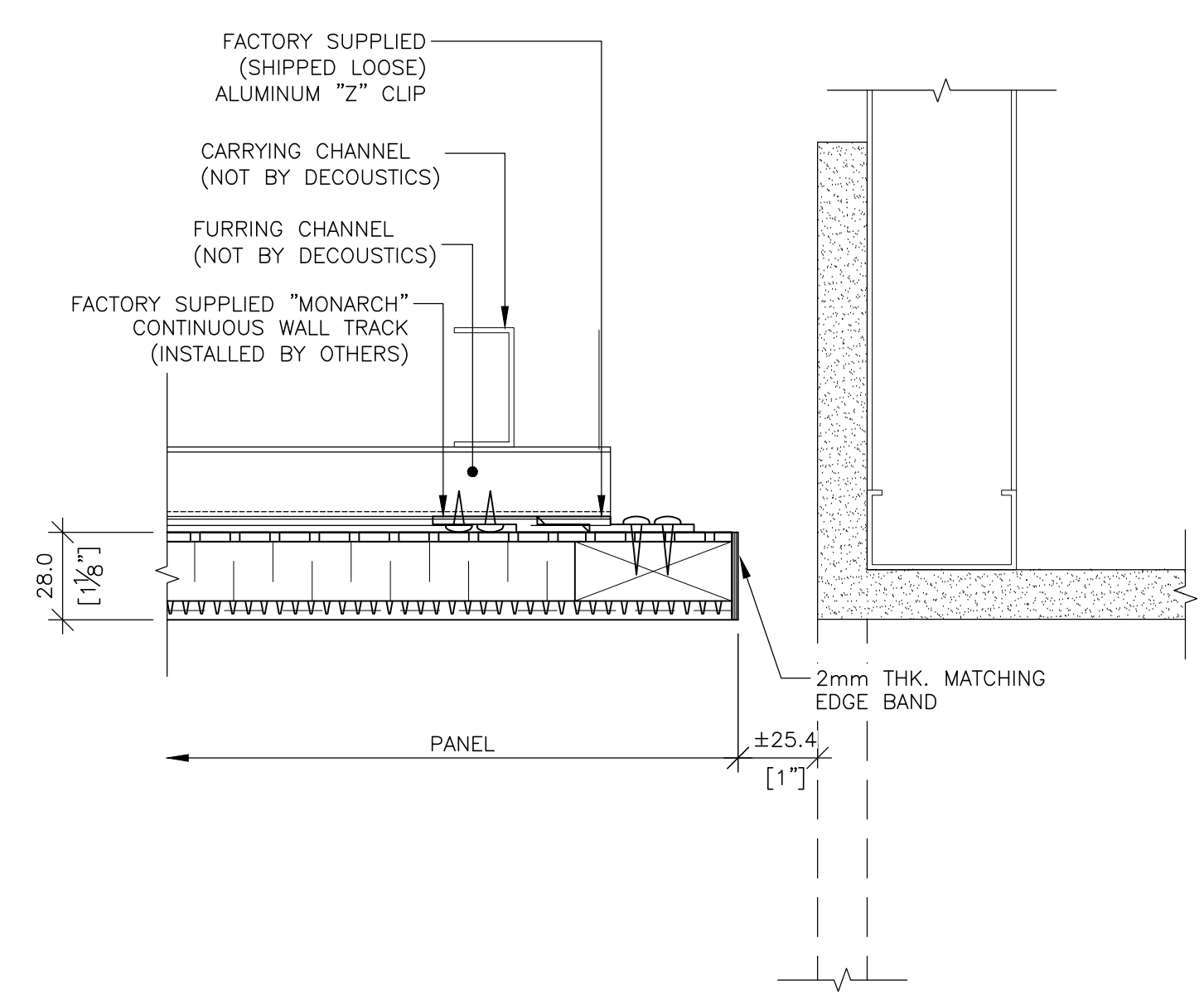
1 PERIMETER DETAIL
SCALE: 1:2



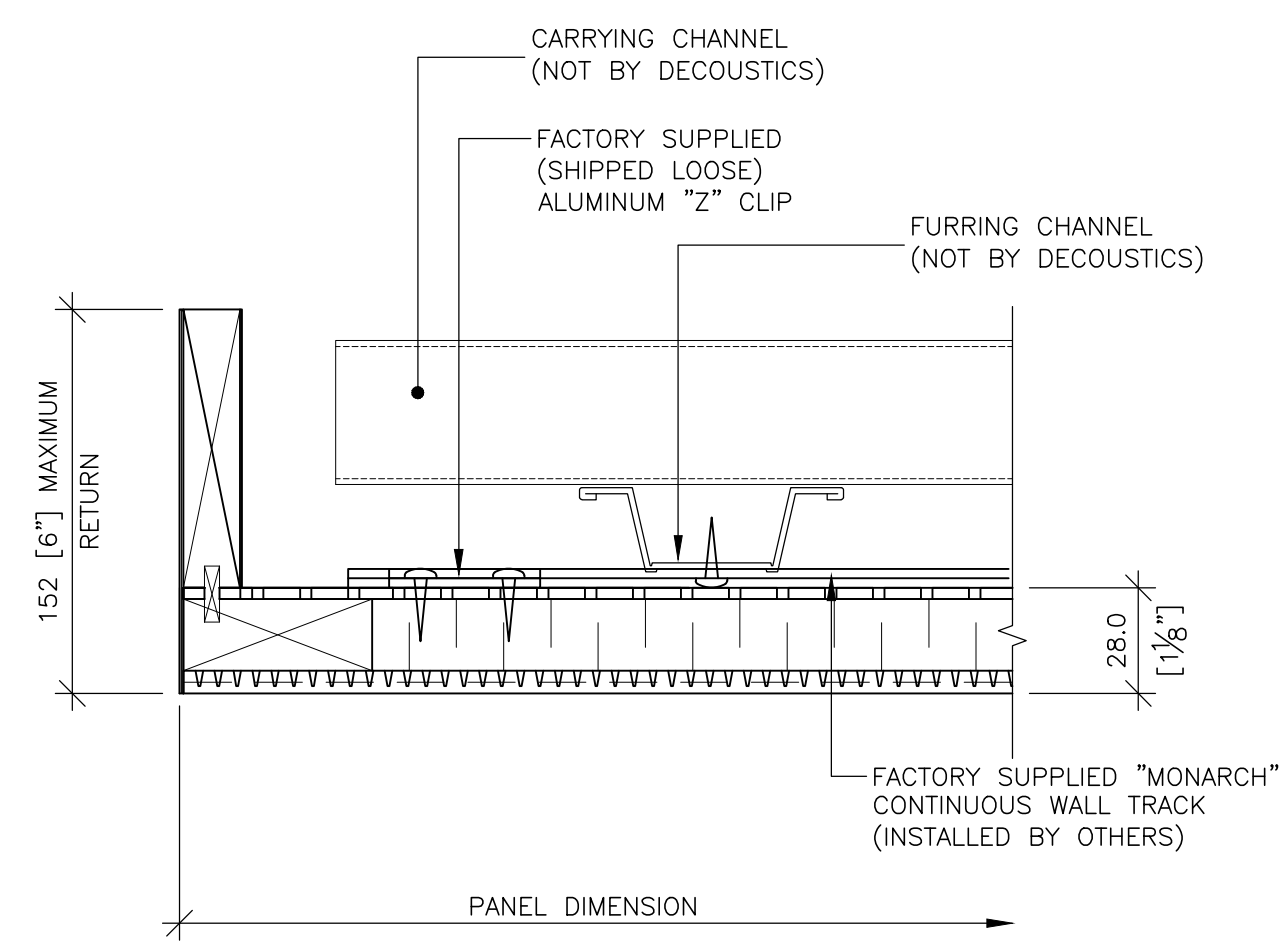
2 DEFINED JOINT DET.
SCALE: 1:2



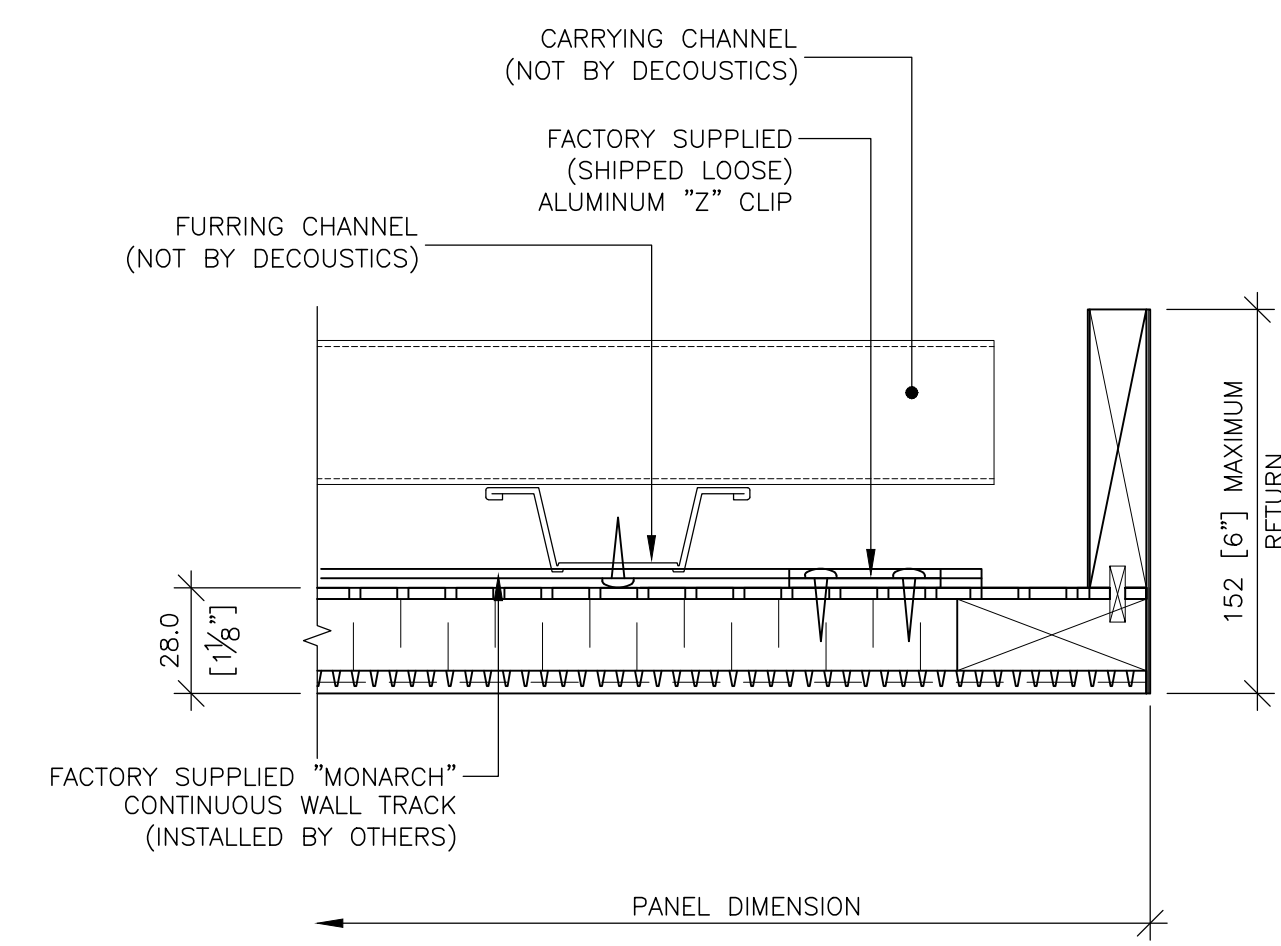
3 DEFINED JOINT DET.
SCALE: 1:2



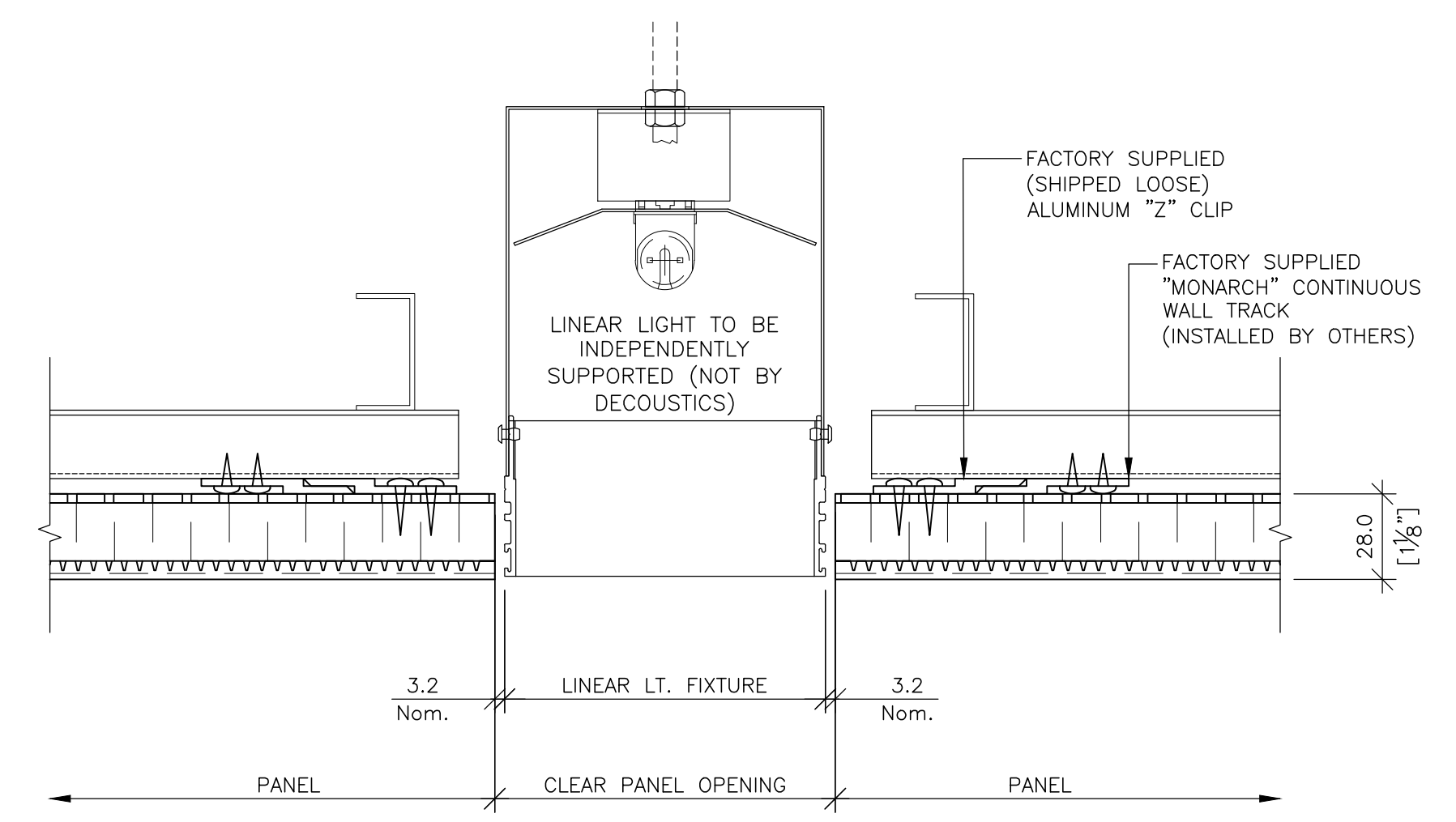
4 PERIMETER DETAIL
SCALE: 1:2



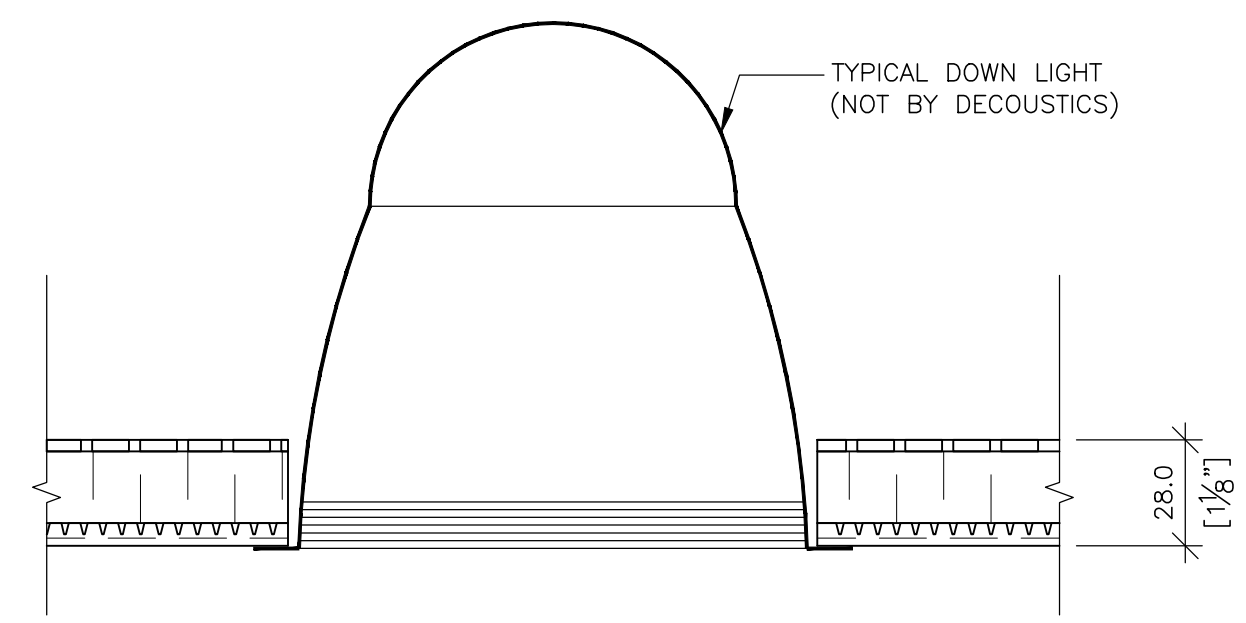
5 BUILT - UP RETURN
SCALE: 1:2



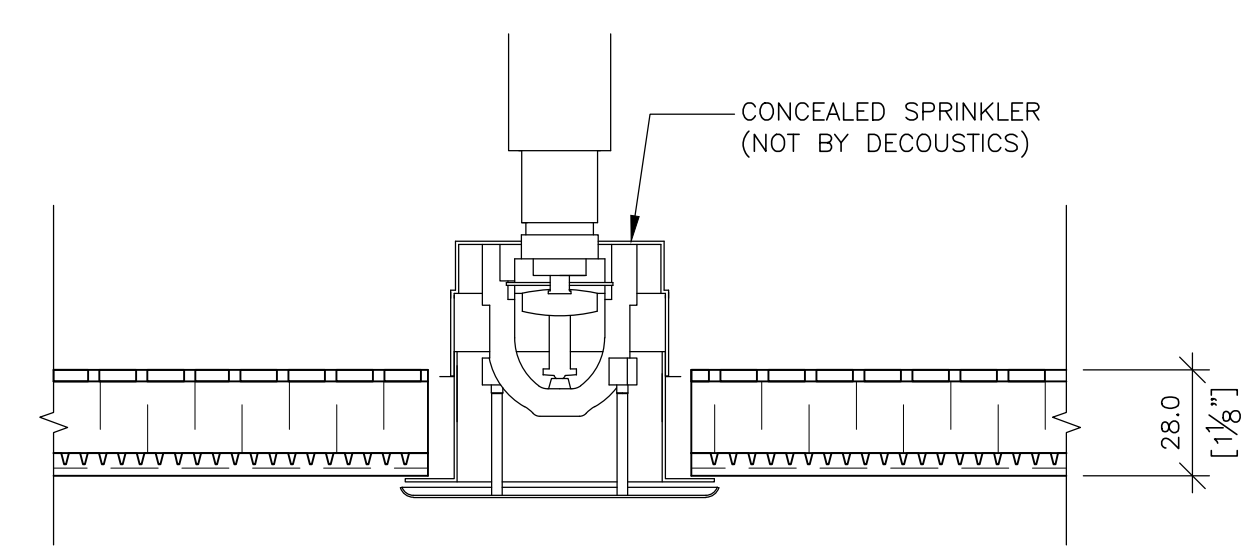
6 BUILT - UP RETURN
SCALE: 1:2



7 DETAIL @ LINEAR LT. FIXTURE
SCALE: 6" = 1'-0"



8 DETAIL @ DWN. LT.
SCALE: 1:2



9 DETAIL @ SPRINKLER
SCALE: 1:2

- GENERAL NOTES:**
- (1) PLEASE SUPPLY FIELD DIMENSIONS TO THE NEAREST 2mm. DECOUSTICS WILL CALCULATE PANEL SIZES.
 - PLEASE VERIFY AND CONFIRM ALL DIMENSIONS, MOUNTING METHODS, AND DETAILS.
 - ALL PANEL PENETRATIONS FOR LIGHT FIXTURES, ELECTRICAL OUTLETS, ETC. TO BE FIELD CUT BY OTHERS. (NOT BY DECOUSTICS)
 - ALL GRILLES, DIFFUSERS, LIGHTS ETC. TO BE SUPPORTED INDEPENDENTLY OF ACOUSTIC PANELS.
 - PANELS MUST BE INSTALLED FLAT & LEVEL TO +/- 2mm OVER 2450mm IT MAY BE NECESSARY TO SHIM HARDWARE AS REQUIRED.
 - THE FINISHES USED ON DECOUSTICS PANELS ARE DIRECTIONAL. THE BACK OF EACH PANEL WILL BE MARKED TO SHOW THE CORRECT ORIENTATION FOR INSTALLATION.
 - DO NOT BUTT PANELS NEXT TO EACH OTHER DURING INSTALLATION. ALLOW 2mm BETWEEN PANELS TO ALLOW FOR PROPER ALIGNMENT.
 - FOR ADDITIONAL PANEL INSTALLATION DETAILS, SEE DATA SHEETS.

PANEL

PANEL TYPE:	QPP-19 TYPE 5, 28mm [1-1/8"] THICK FLAT CEILING PANELS
MOUNTING:	DIRECT SUSPENDED MOUNT
EDGE DETAIL:	TBD
VENEER TYPE:	TBD
FINISH:	TBD

QUADRILLO - DIRECT SUSPENDED

0	ORIGINAL ISSUE	27 MAY 2020
REV.	PURPOSE	DATE

THIS DRAWING IS THE SOLE PROPERTY OF DECOUSTICS LIMITED AND CONTAINS CONFIDENTIAL INFORMATION AND IS TO BE USED ONLY UNDER EXPRESS AUTHORITY GIVEN, IN WRITING, BY DECOUSTICS LIMITED.

decoustics
SAINT-GOBAIN

61 Royal Group Crescent, Woodbridge
Ontario L4H 1X9 Canada
Toll Free: 800-387-3809
Main: 905-652-5200
Fax: 905-652-2505

DRAWING	DRAWING TITLE	DRAWN BY JL	DWG. NO.
ARCHITECT	ARCHITECT	CHECKED BY SP	D1
		PROJECT # #####	1 OF X