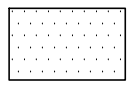
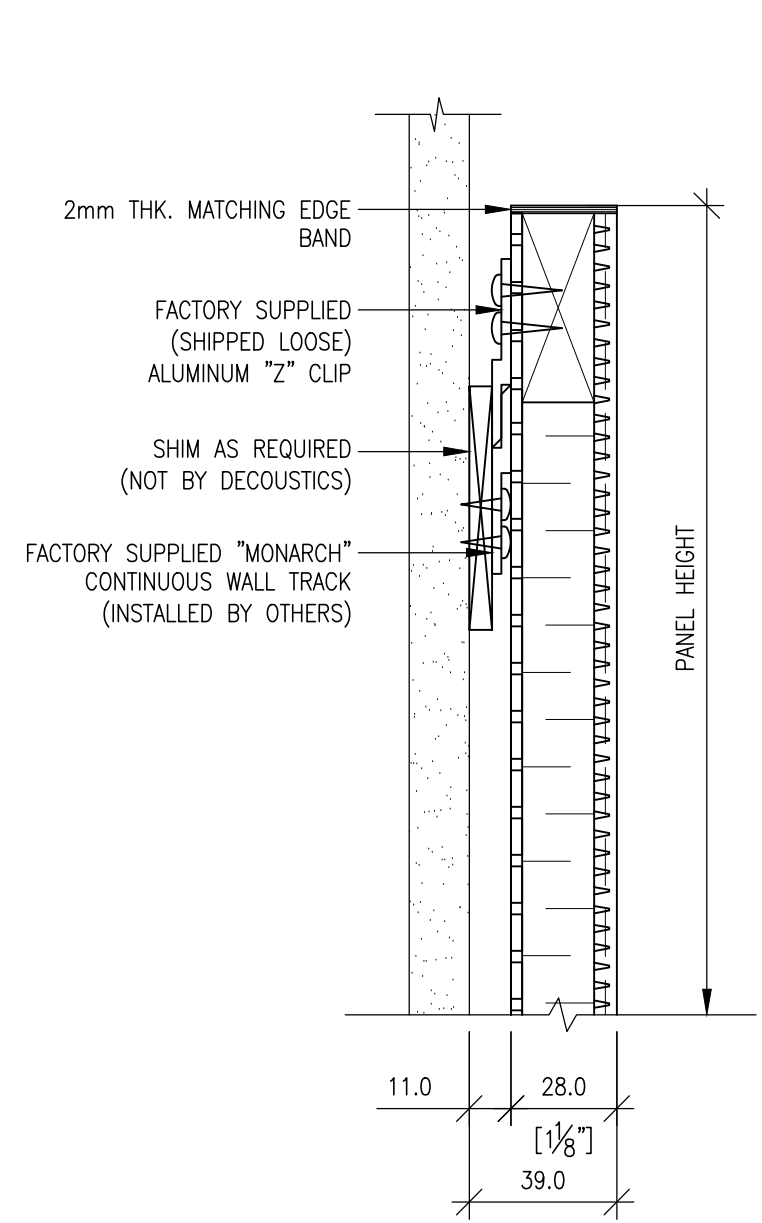


GENERAL NOTES:

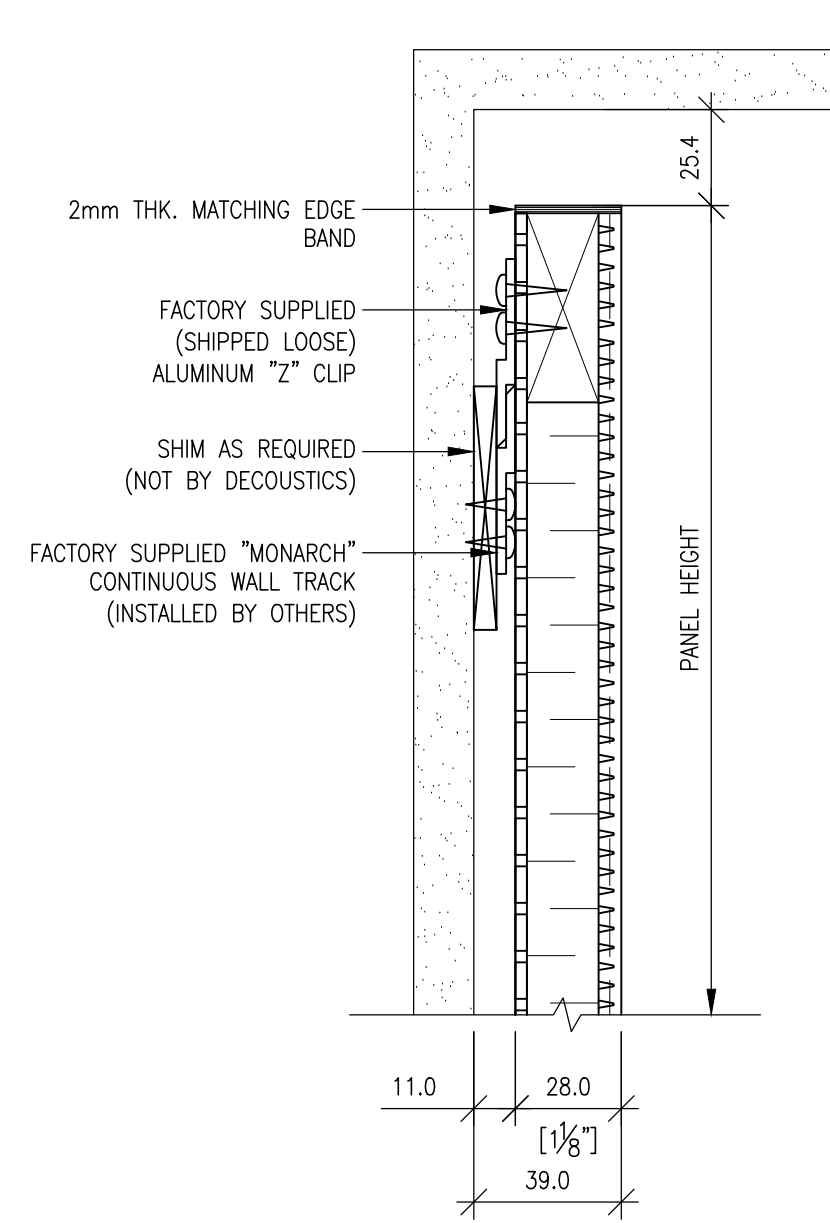
- (1) PLEASE SUPPLY FIELD DIMENSIONS TO THE NEAREST 2mm. DECOUSTICS WILL CALCULATE PANEL SIZES.
- PLEASE VERIFY AND CONFIRM ALL DIMENSIONS, MOUNTING METHODS, AND DETAILS.
- ALL PANEL PENETRATIONS FOR LIGHT FIXTURES, ELECTRICAL OUTLETS, ETC. TO BE FIELD CUT BY OTHERS. (NOT BY DECOUSTICS)
- ALL GRILLES, DIFFUSERS, LIGHTS ETC. TO BE SUPPORTED INDEPENDENTLY OF ACOUSTIC PANELS.
- PANELS MUST BE INSTALLED FLAT & LEVEL TO +/- 2mm OVER 2450mm IT MAY BE NECESSARY TO SHIM HARDWARE AS REQUIRED.
- THE FINISHES USED ON DECOUSTICS PANELS ARE DIRECTIONAL. THE BACK OF EACH PANEL WILL BE MARKED TO SHOW THE CORRECT ORIENTATION FOR INSTALLATION.
- DO NOT BUTT PANELS NEXT TO EACH OTHER DURING INSTALLATION. ALLOW 2mm BETWEEN PANELS TO ALLOW FOR PROPER ALIGNMENT.
- FOR ADDITIONAL PANEL INSTALLATION DETAILS, SEE DATA SHEETS.

PANEL

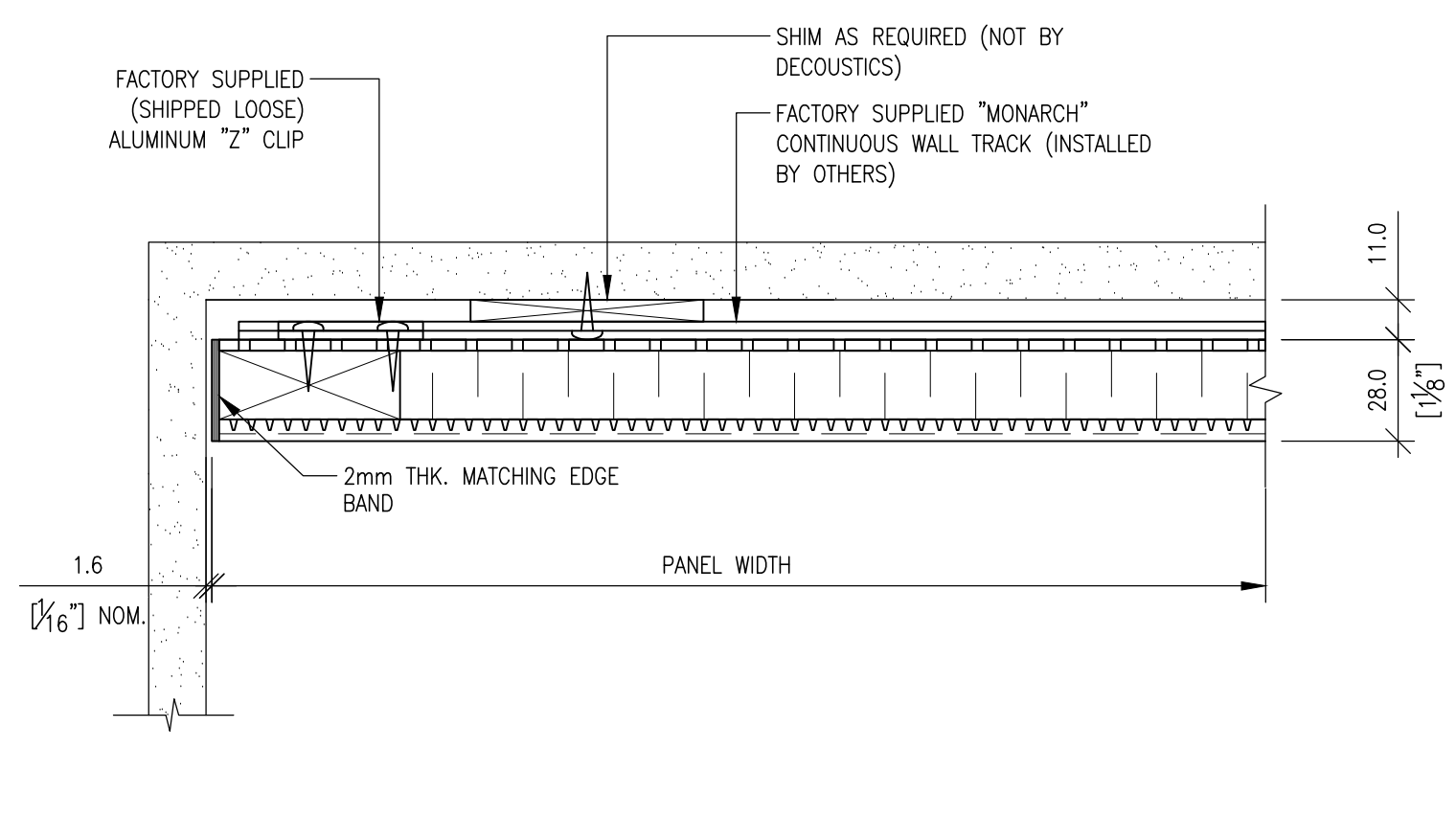
	PANEL TYPE:	QPP-19 TYPE 5, 28mm [1-1/8"] THICK FLAT WALL PANELS
	MOUNTING:	MECHANICAL MOUNT
	EDGE DETAIL:	TBD
	VENEER TYPE:	TBD
	FINISH:	TBD



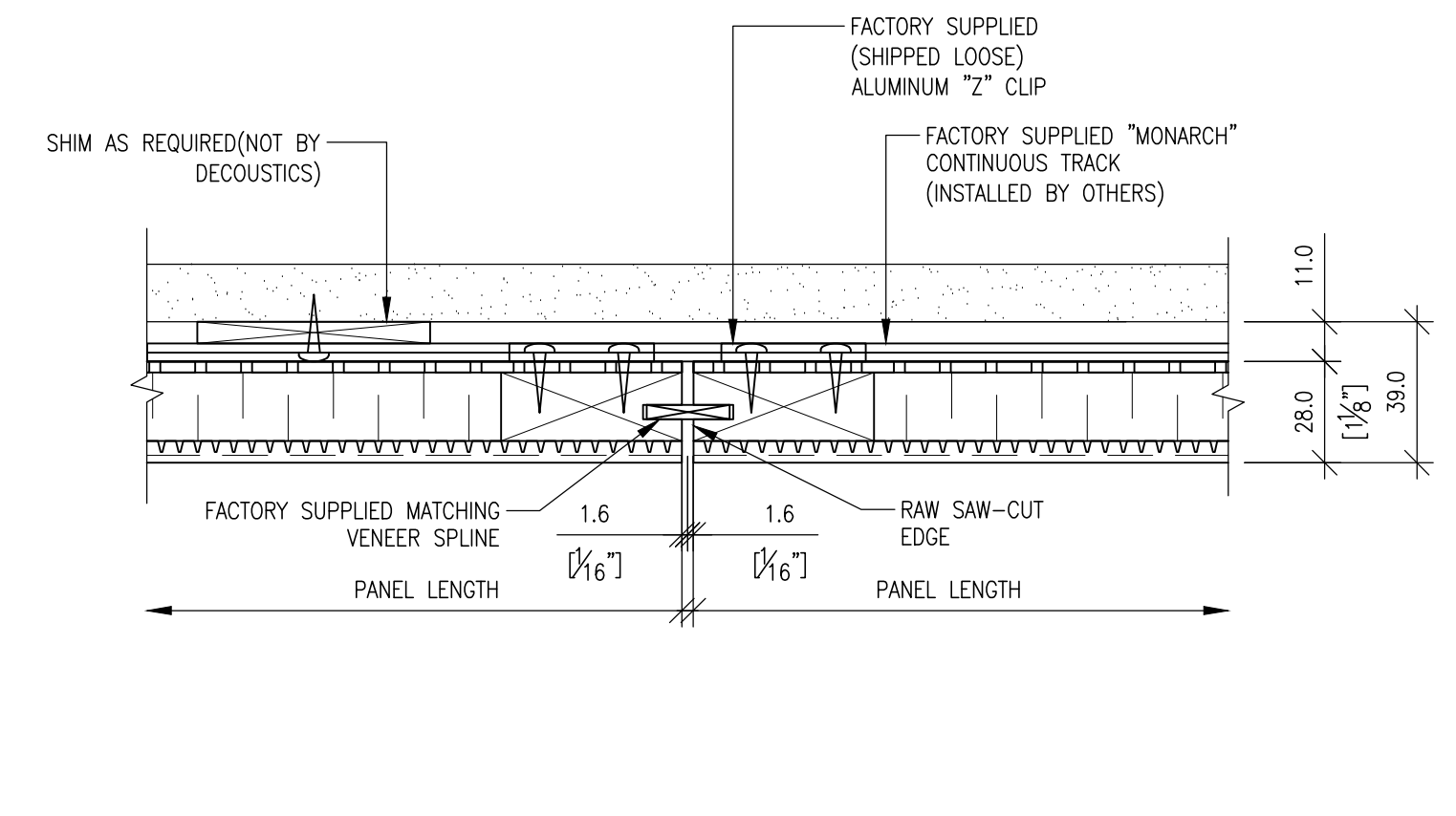
1 PANEL HEAD @ WALL
SCALE: 6" = 1'-0"
REF:



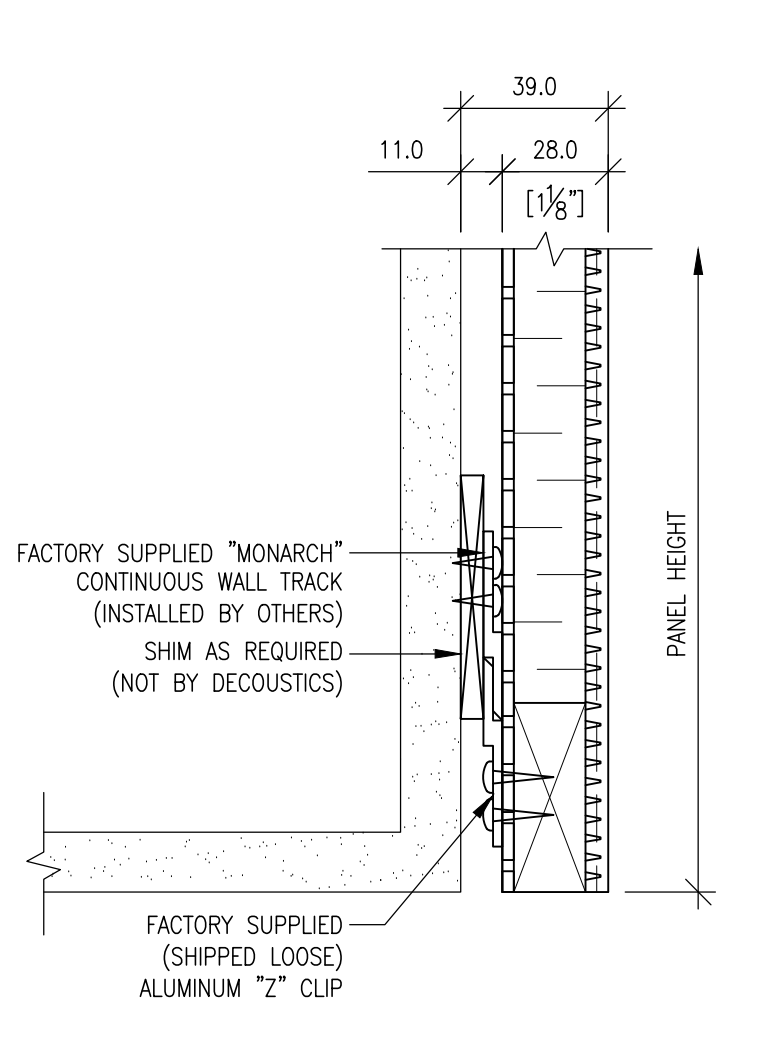
2 PANEL HEAD @ BULKHEAD
SCALE: 6" = 1'-0"
REF:



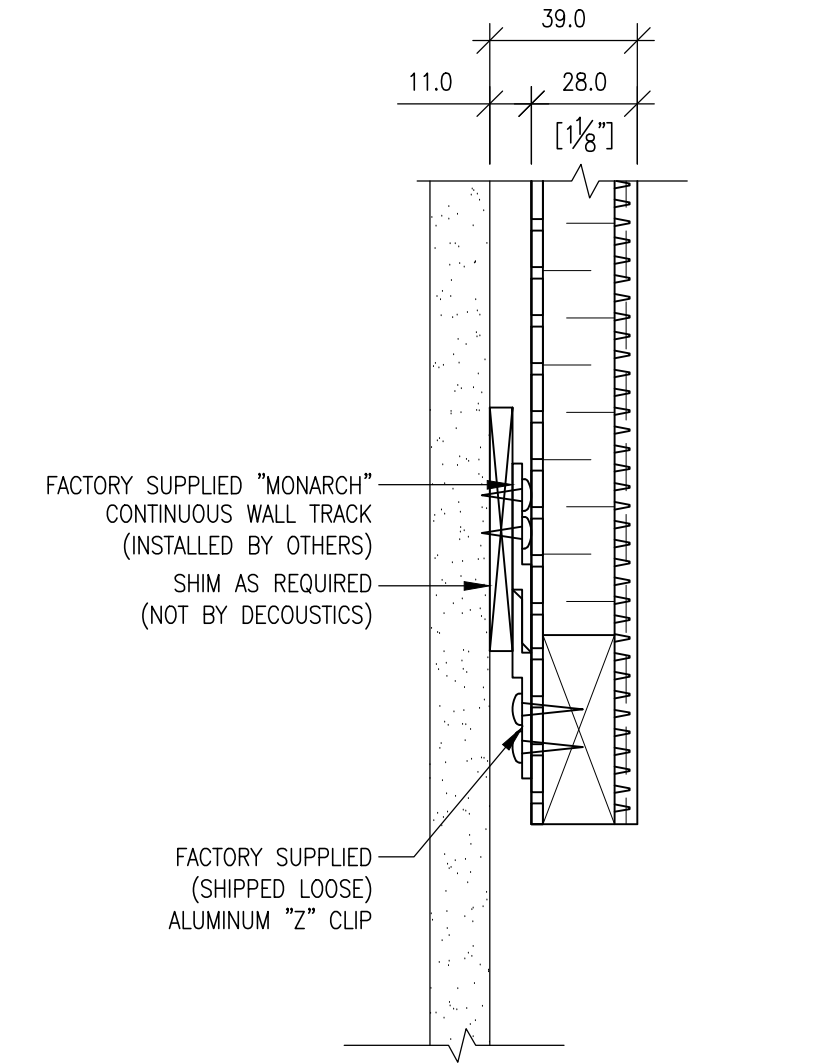
3 PANEL END @ WALL
SCALE: 6" = 1'-0"
REF:



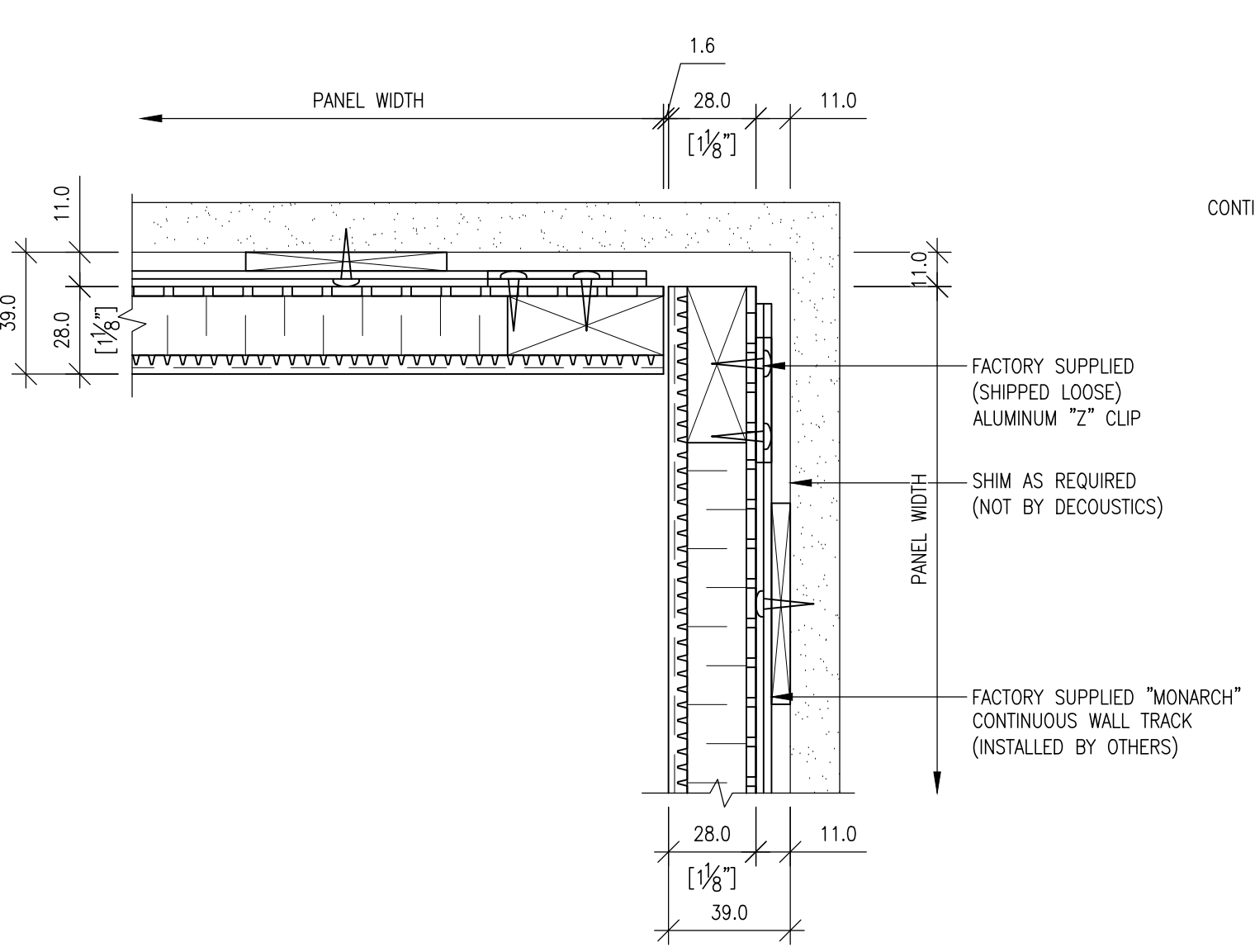
4 VERT. BUTT JOINT DET.
SCALE: 6" = 1'-0"
REF:



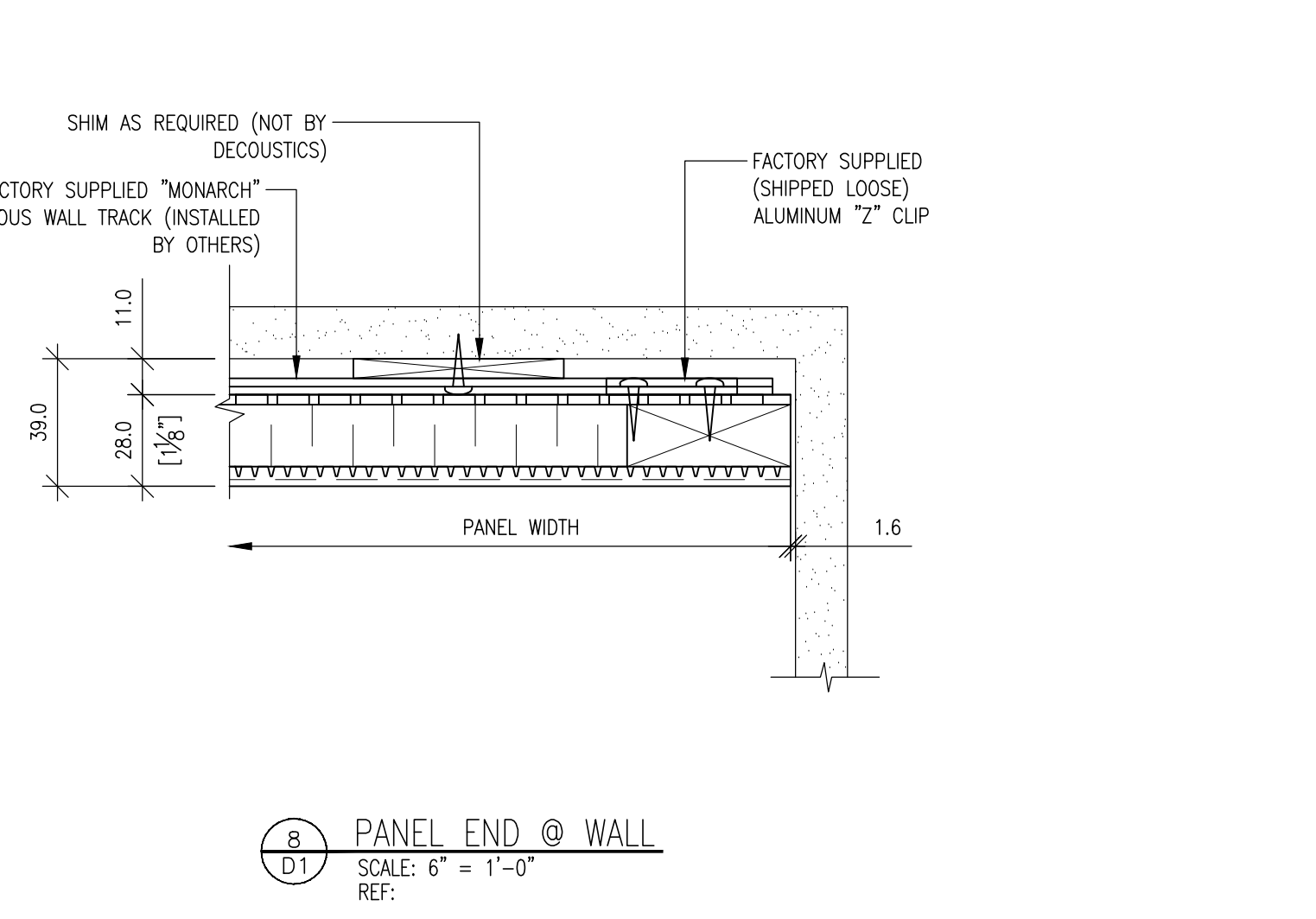
5 PANEL BASE @ BULKHEAD
SCALE: 6" = 1'-0"
REF:



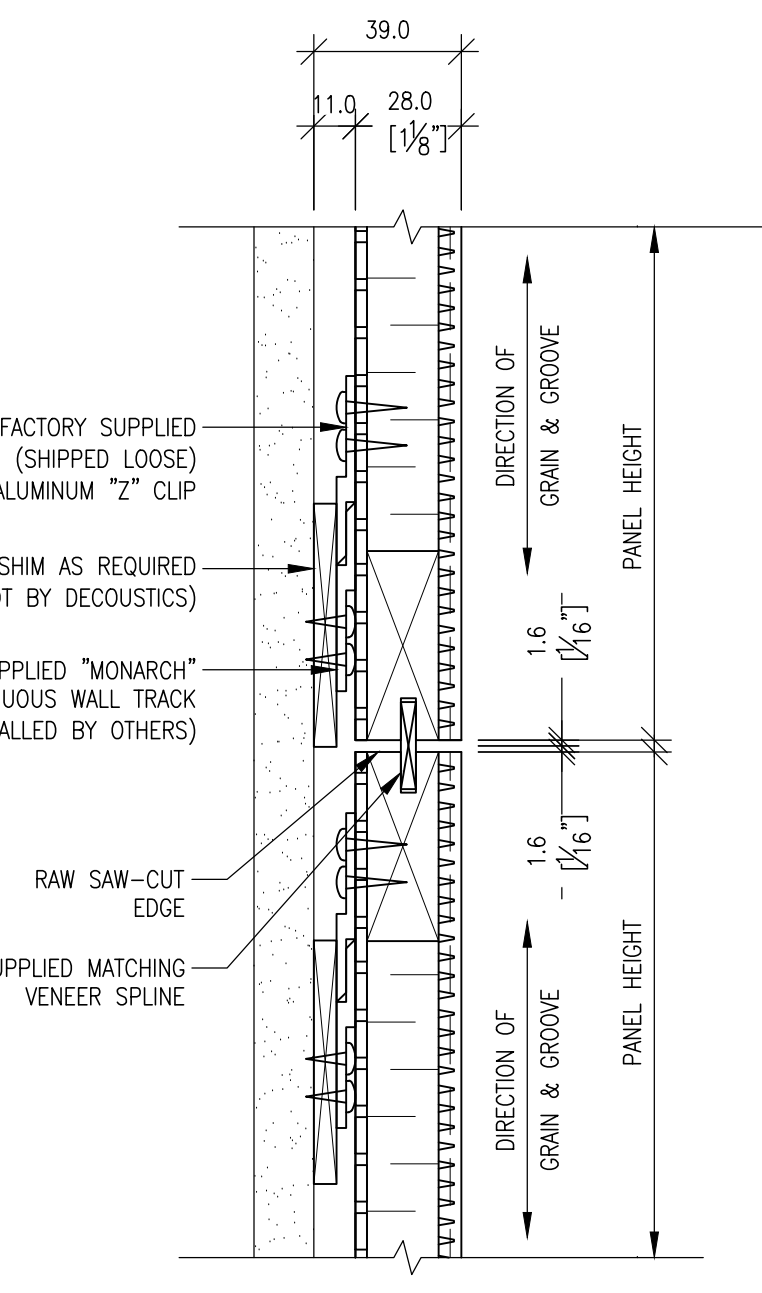
6 PANEL BASE @ WALL
SCALE: 6" = 1'-0"
REF:



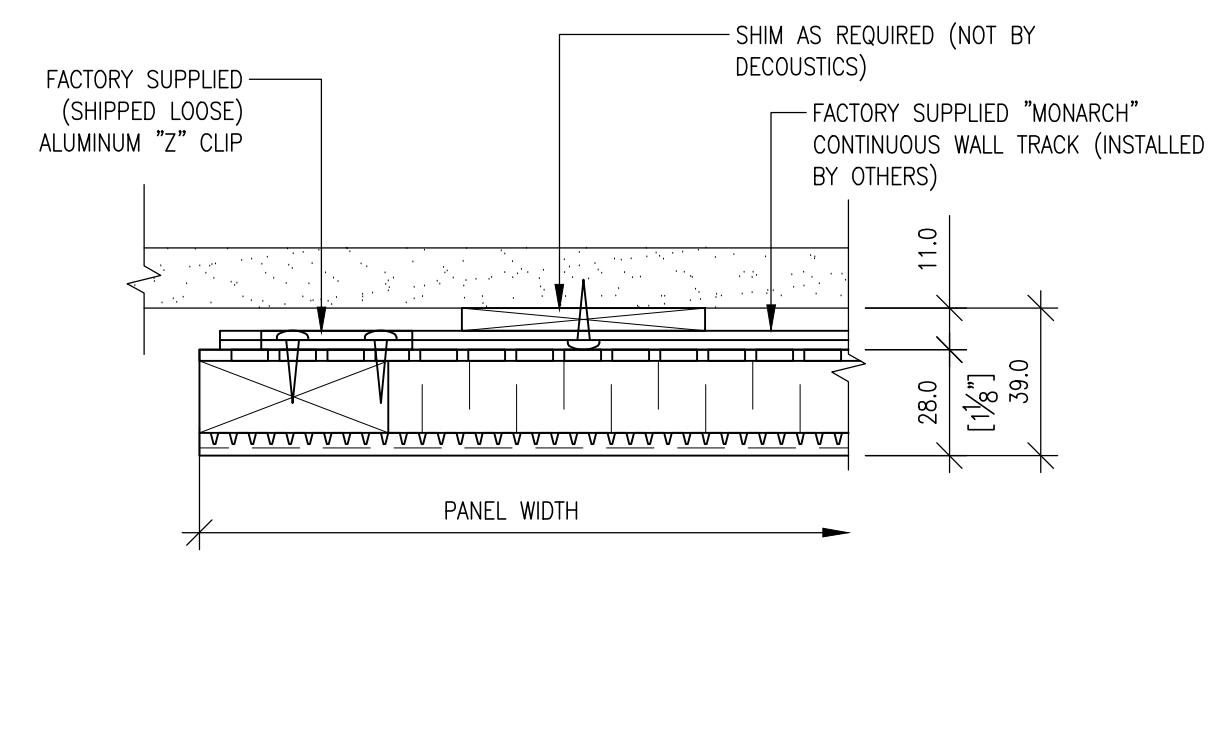
7 PANEL END @ CORNER
SCALE: 6" = 1'-0"
REF:



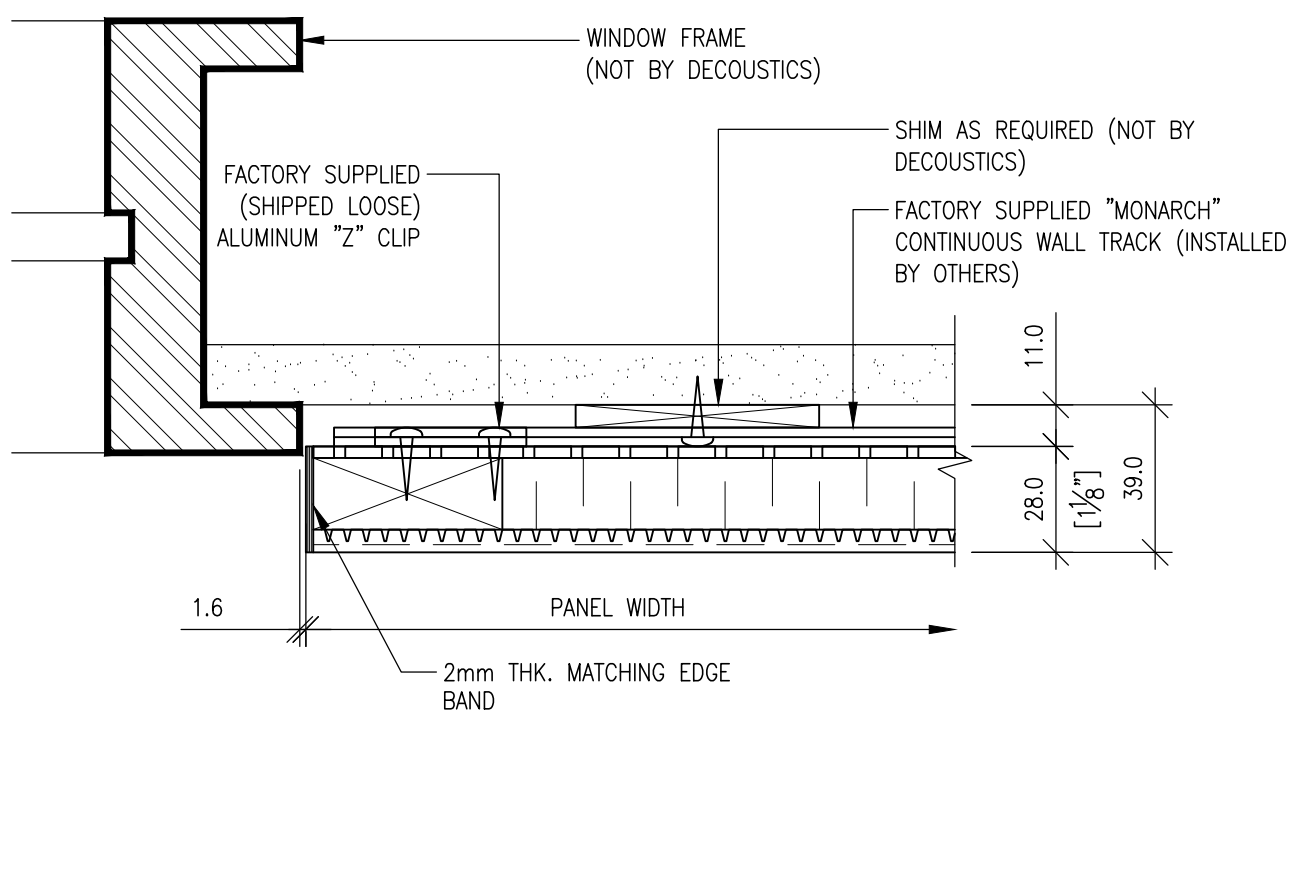
8 PANEL END @ WALL
SCALE: 6" = 1'-0"
REF:



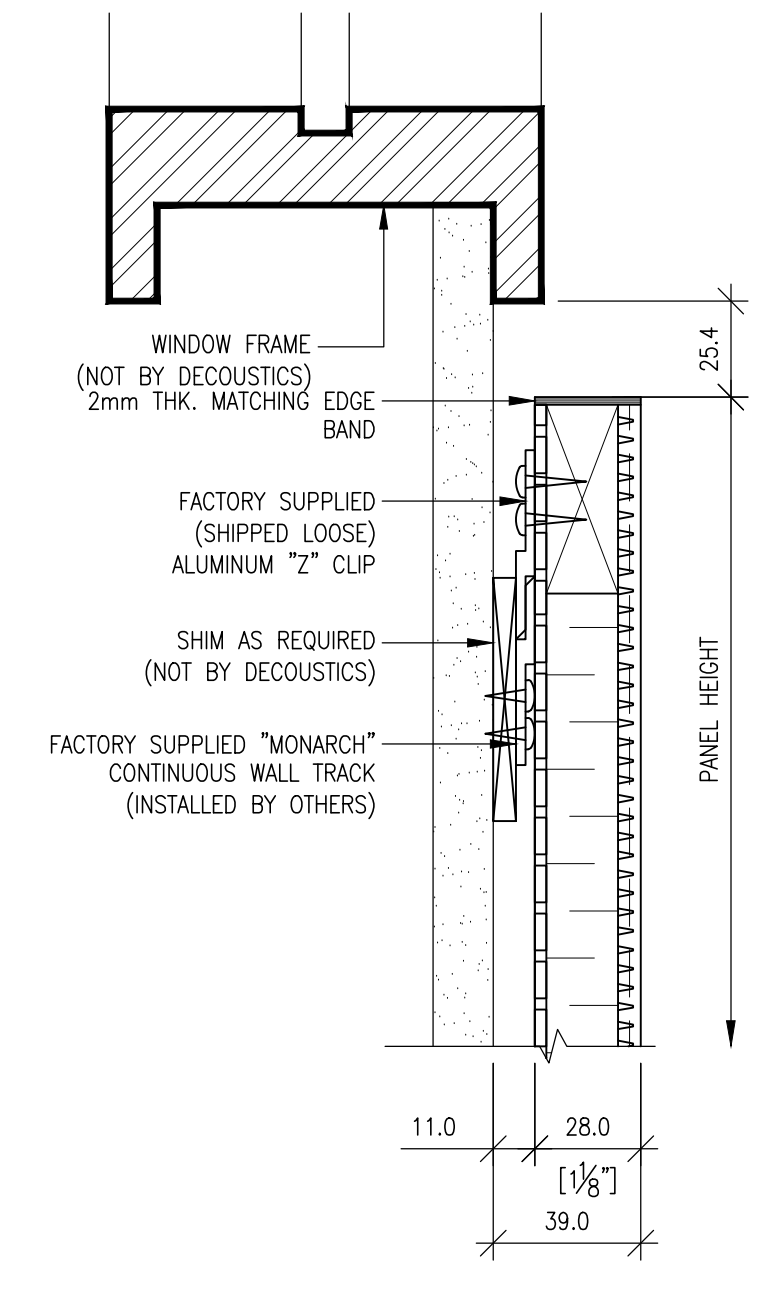
9 HORIZ. BUTT JOINT DET.
SCALE: 6" = 1'-0"
REF:



10 PANEL END @ WALL
SCALE: 6" = 1'-0"
REF:



11 PANEL END @ FRAME
SCALE: 6" = 1'-0"
REF:



12 PANEL HEAD @ FRAME
SCALE: 6" = 1'-0"
REF:

QUADRILLO - WALL MOUNT

0	REVISION	27 MAY 2020
---	----------	-------------

REV.	PURPOSE	DATE
------	---------	------

THIS DRAWING IS THE SOLE PROPERTY OF DECOUSTICS LIMITED AND CONTAINS CONFIDENTIAL INFORMATION AND IS TO BE USED ONLY UNDER EXPRESS AUTHORITY GIVEN, IN WRITING, BY DECOUSTICS LIMITED.

decoustics SAINT-GOBAIN		61 Royal Group Crescent, Woodbridge Ontario L4H 1X9 Canada Toll Free: 800-387-3889 Main: 905-652-5200 Fax: 905-652-2505
DRAWING	DRAWN BY JL	DWG. NO.
DRAWING TITLE	CHECKED BY SP	D1
ARCHITECT	PROJECT #	#####
ARCHITECT		1 OF X