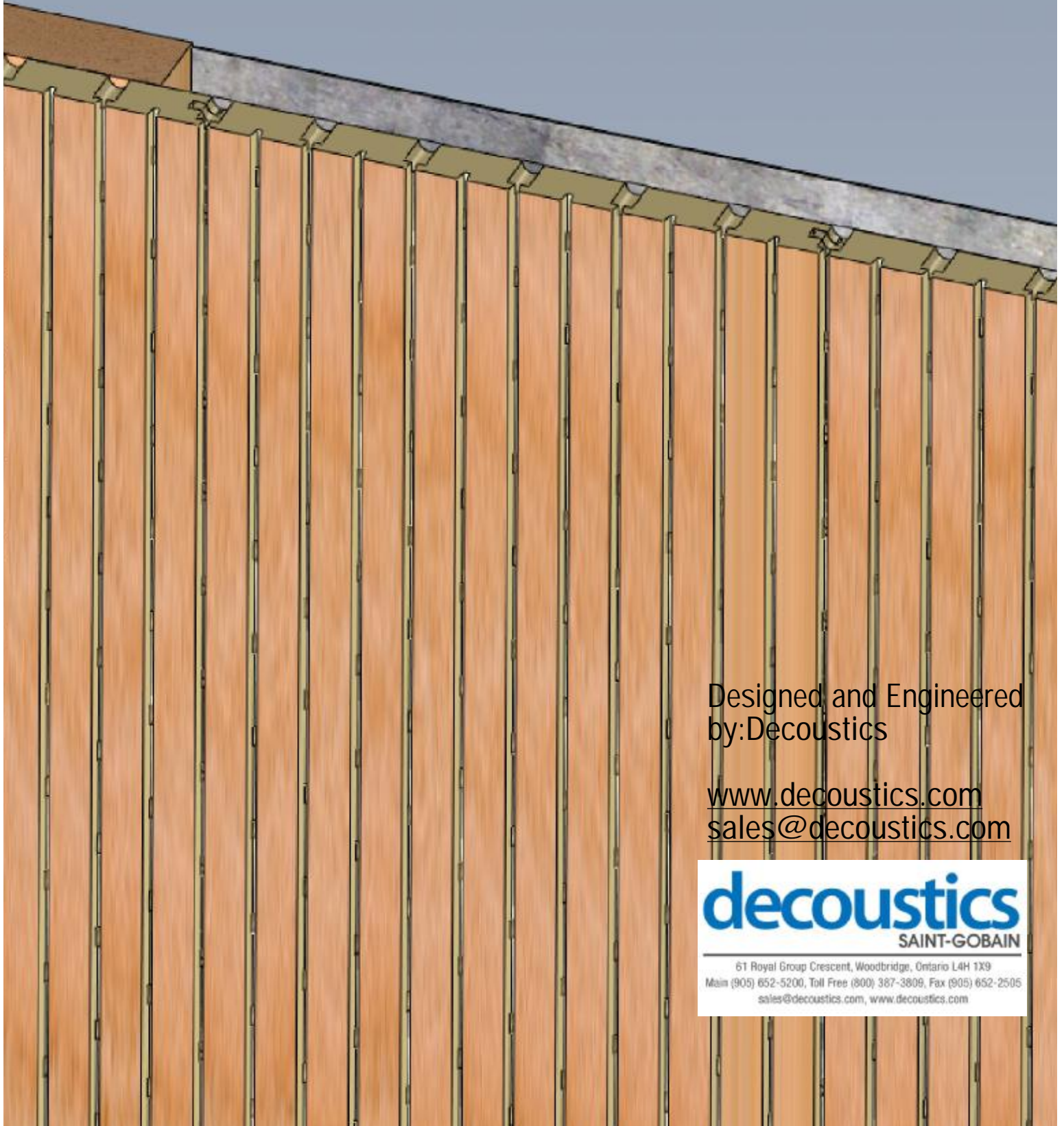


Solo Wood Acoustical Plank Product

Ceiling and Wall Systems

Solo Wood Acoustical Plank Product

Typical Product Details including Installation



Designed and Engineered
by: Decoustics

www.decoustics.com
sales@decoustics.com

decoustics
SAINT-GOBAIN

61 Royal Group Crescent, Woodbridge, Ontario L4H 1X9
Main (905) 652-5200, Toll Free (800) 387-3809, Fax (905) 652-2505
sales@decoustics.com, www.decoustics.com

1. For a wall or ceiling application, Solo can be installed using wood blocking or steel furring channels. Install wood blocking or steel furring (hat) channel at 610mm (24") on center.

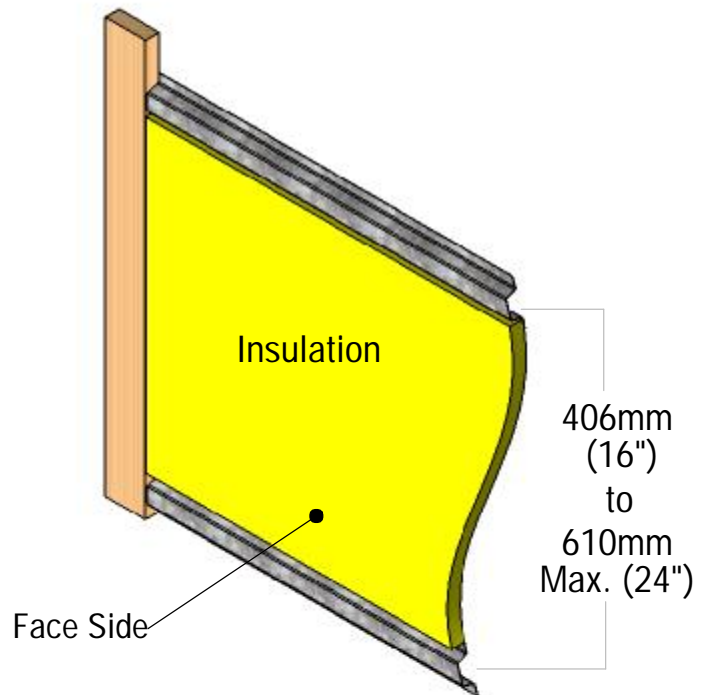
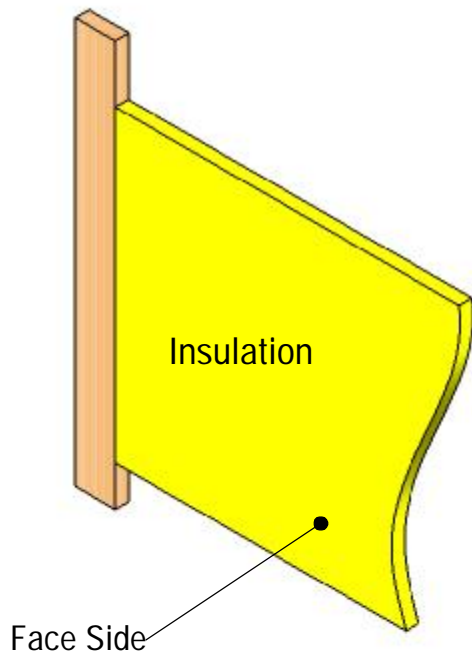


Wood



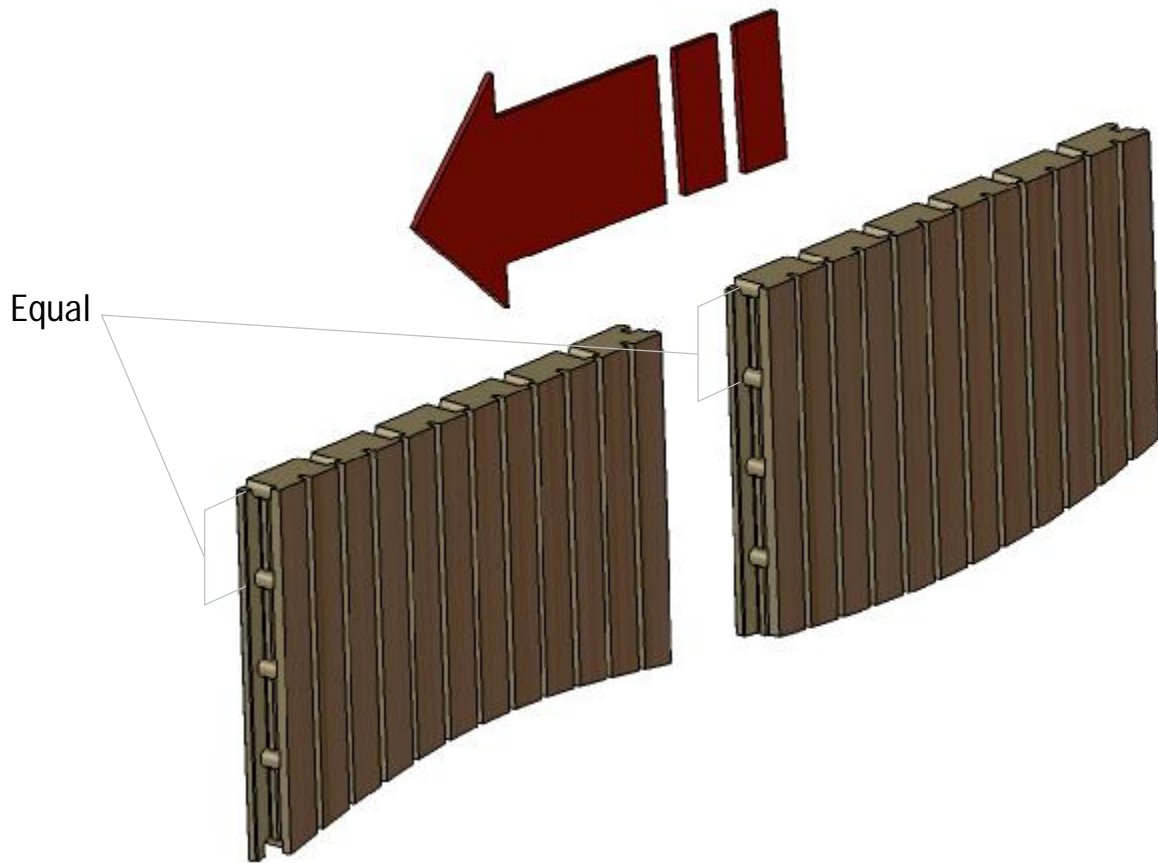
Steel Hat Channel

2. Block the start and finish of the installation area with wood blocking - flush with the horizontal wood blocking, or 4mm (5/32") thicker than the steel furring channel. Fill space between blocking /furring with acoustical insulation (i.e. Certainteed "Commercial Board" 64-96 lb/cu. ft. (4-6 lb/cu. ft.) density fiber glass).

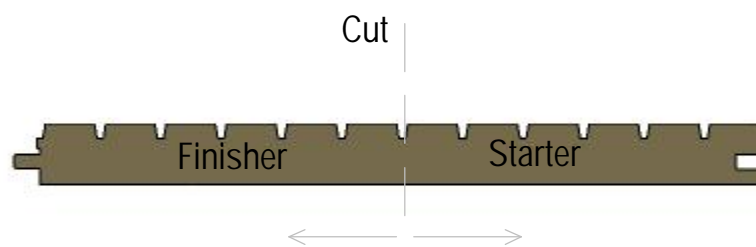


Face

3. Cut plank to length required. Ensure holes in each plank are identically spaced from the ends of the plank so that the hole pattern will align and match on all planks.

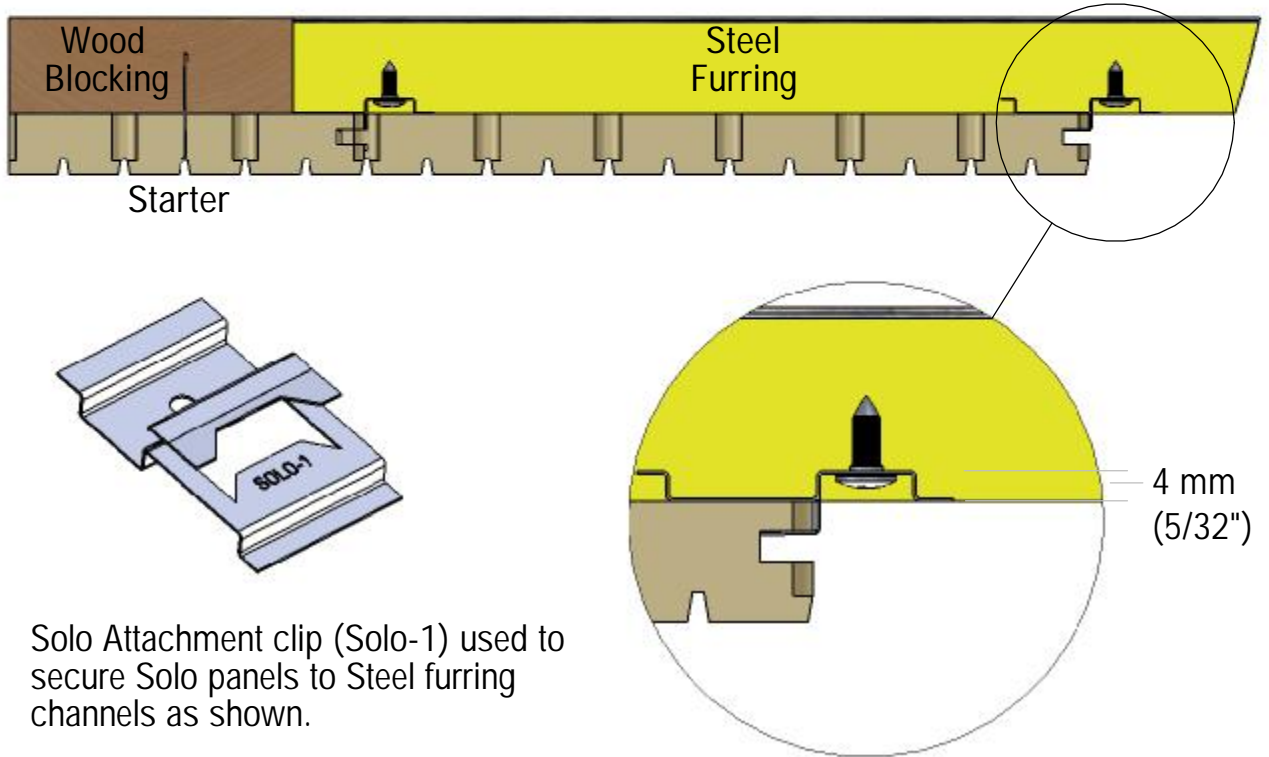


4. Lay - out wall or ceiling area in 192mm increments to review any colour variations. Adjust the starter/finisher panels accordingly. Rip one plank near the center to become the starter and finisher planks.



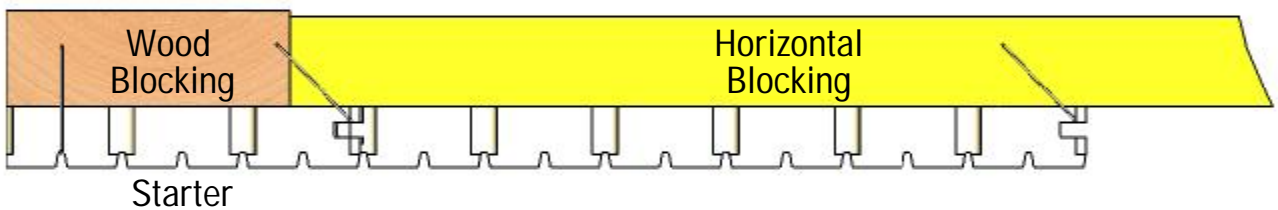
Note: to cut Solo planks traditional wood working tools are appropriate. A thin-kerf, 80 tooth (at 10" (250mm) diameter), alternating bevel (40 degree) carbide blade is recommended. The plank should be cut face up to avoid scratching of the wood finish. The best site equipment is large diameter chop saws and radial saws. A traditional table saw would require the plank to be cut much lower to avoid tear - out or chipping. If cut outs are required for round fixtures a router and template method using a quality spiral - down carbide flute cutting bit is recommended.

5. Secure starter plank with finishing nails through the face at groove into the edge (vertical blocking). Secure side groove with blind nail /screw into horizontal blocking, or Solo clip and framing screw into steel furring channel. (Note: gently tap the Solo clip so that the tangs bite into the base of the groove, and ensure clip is tight to the board).



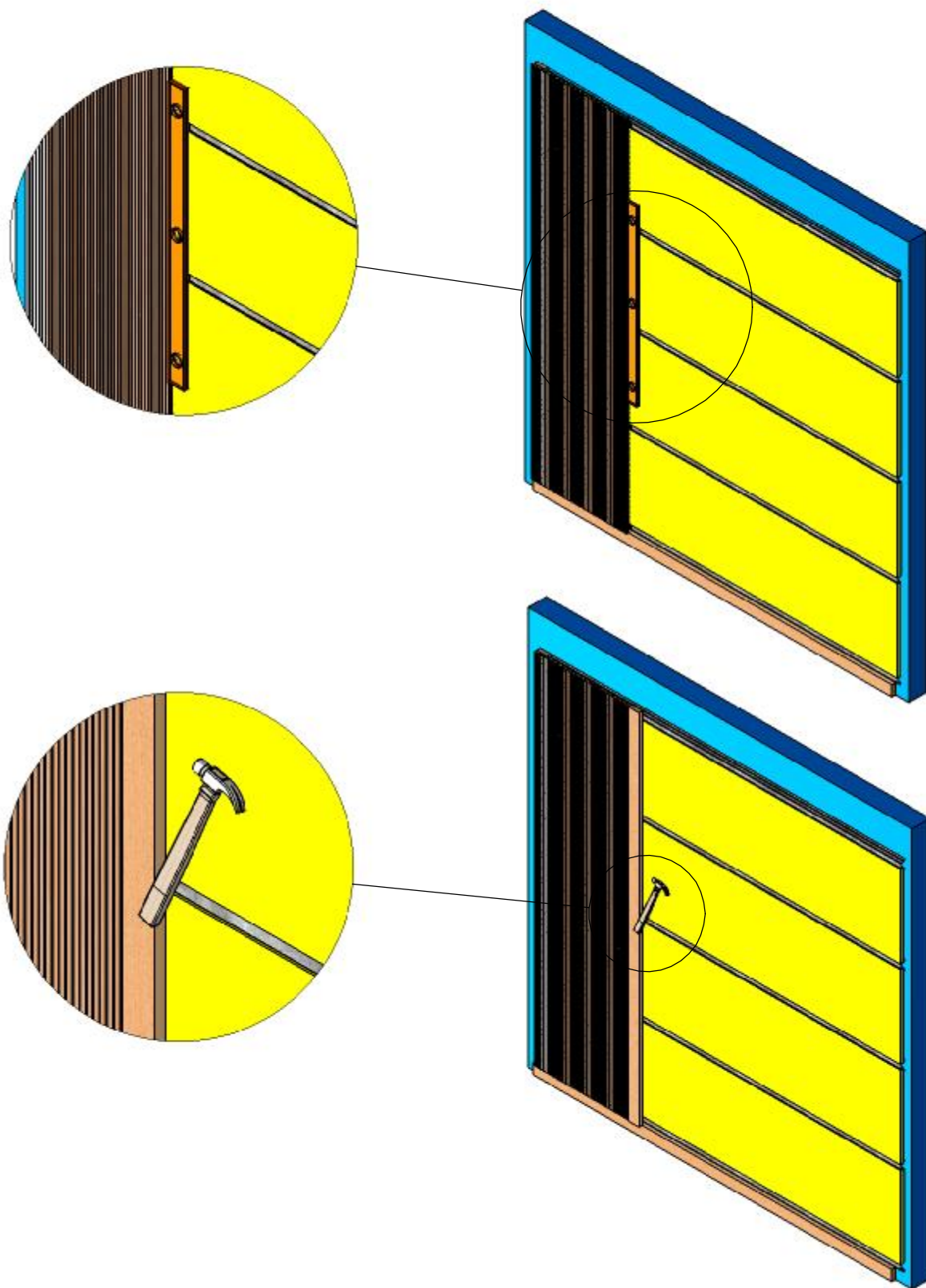
Solo Attachment clip (Solo-1) used to secure Solo panels to Steel furring channels as shown.

Solo Plank Attachment to Steel Furring Channels (Typical)



Solo Plank Attachment to Wood Blocking (Typical)

6. With holes aligned tap each successive plank tongue into previously installed board groove. Check that each plank is level and plumb, secure the groove edge (for wood blocking blind nail or screw into wood blocking, for steel furring utilized Solo clips and framing screws into steel furring channel.)

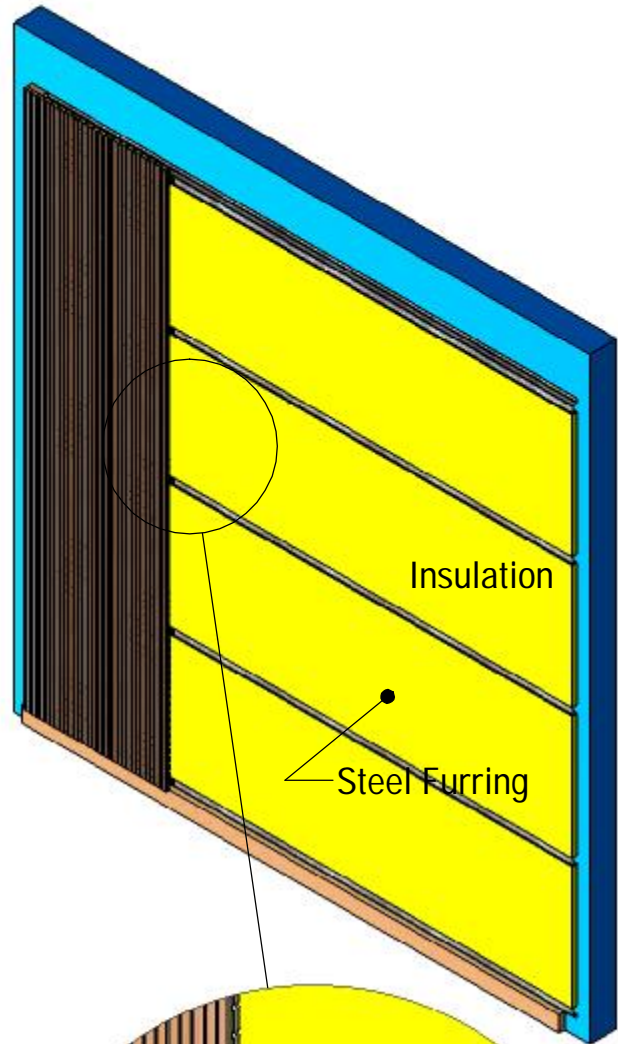


7. If necessary trim finisher plank to correct width. The tongue of the finisher plank is inserted into the groove of the previous plank, and then secured with finishing nails at a groove location into the vertical blocking

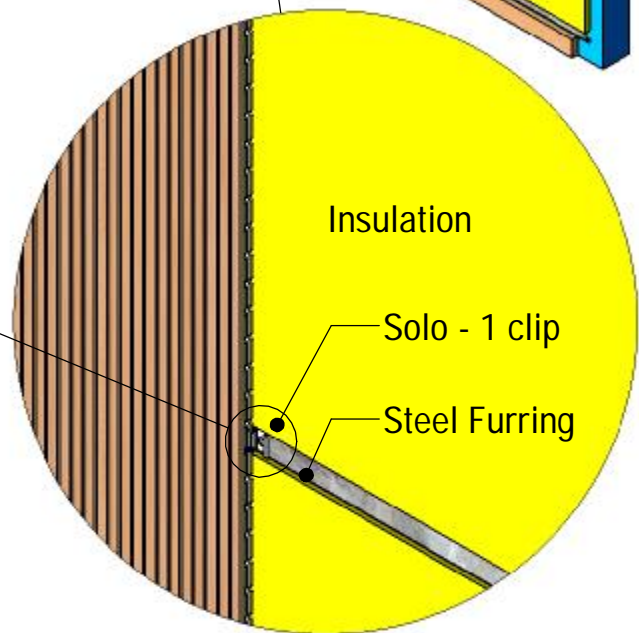
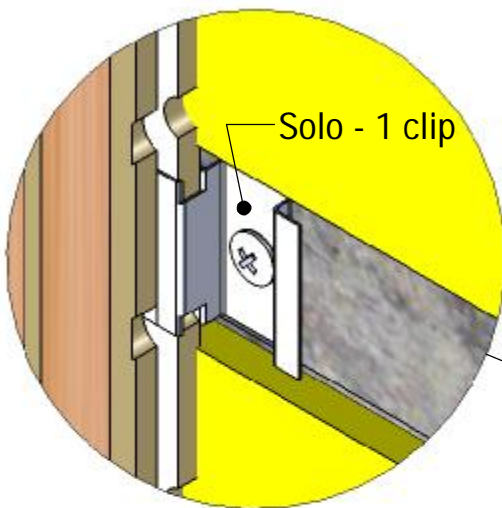
Typical Solo Plank Installation on Steel Furring Channels

Solo Planks

Typical Solo wall Installation

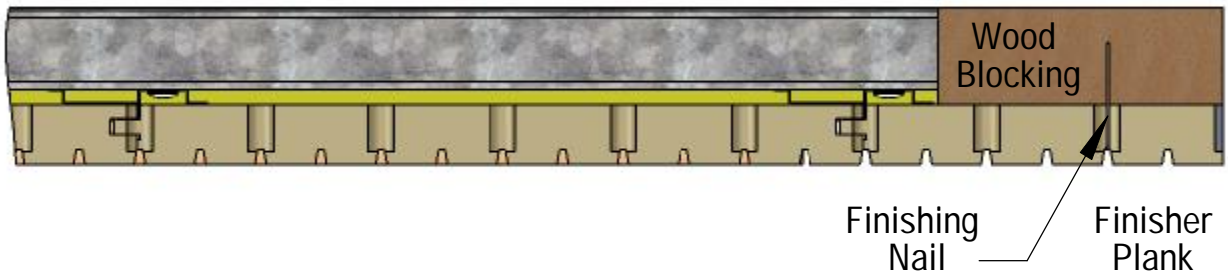


Solo-1 Clip engaged into Solo plank and secured to steel furring channel.

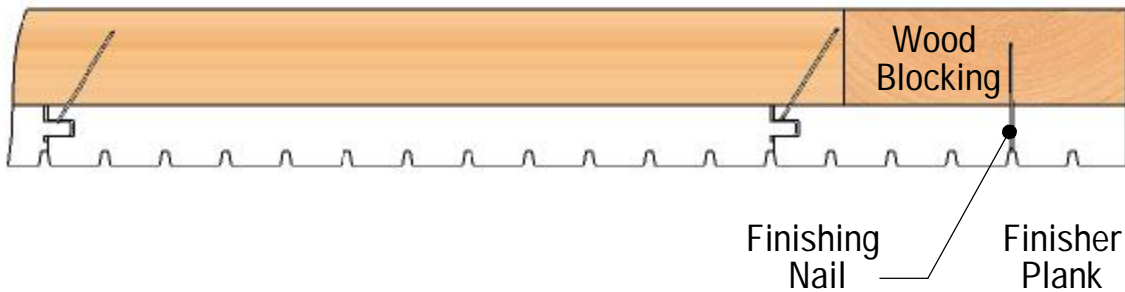


Solo planks attached to interior wall complete with fiberglass infill.

8. To finish a Solo plank installation the finisher section of plank (Step #4) is utilized and secured as was the starter plank. Install the tongue of the finishing plank into the groove of the adjoining Solo plank. Secure the finisher plank with finishing nails into the wood blocking as shown.

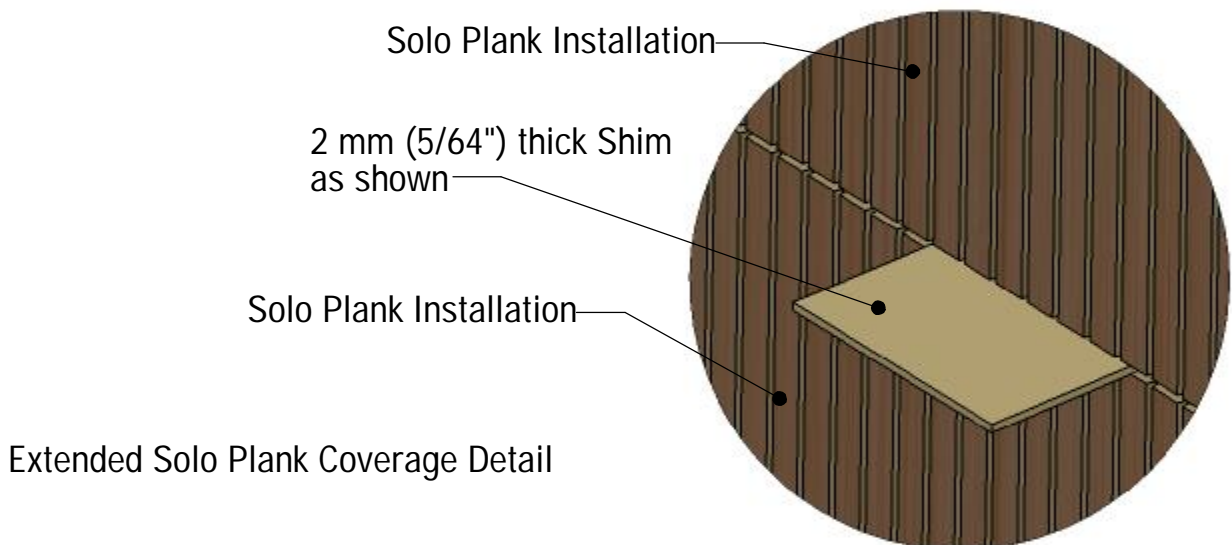


Solo Plank Attachment to Steel Furring Channels (Typical)



Solo Plank Attachment to Wood Blocking (Typical)

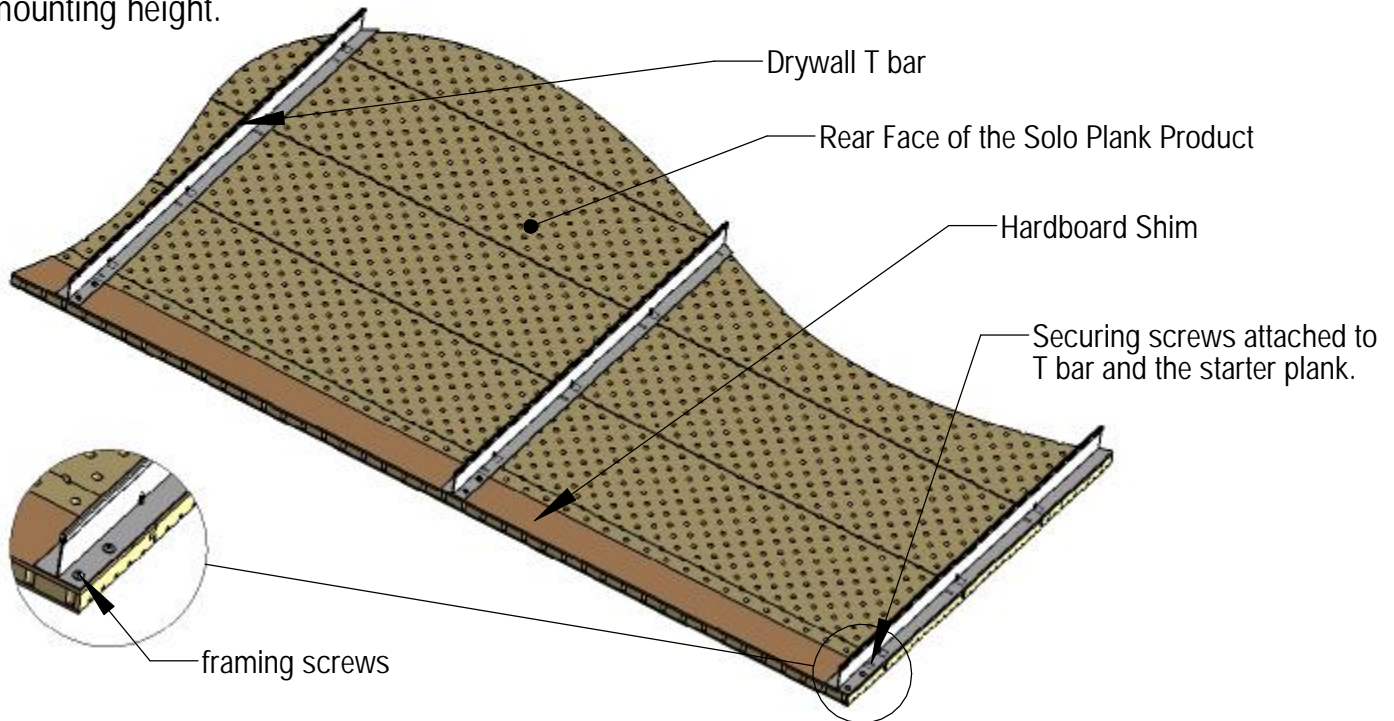
9. Where the coverage area of the wall exceeds the plank length, gap end - to - end planks with 2mm (5/64") shims as shown below. This allows for expansion and contraction of the planks due to environmental changes.



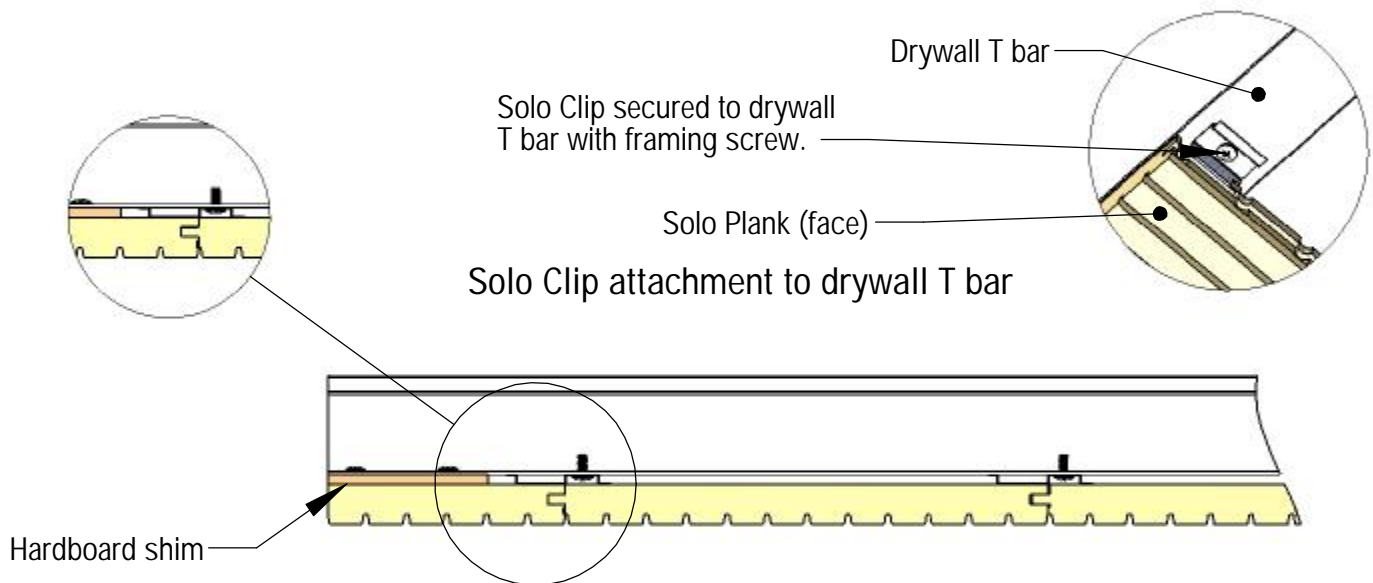
10. Finish the perimeter of the wall or ceiling Solo Installation with suitable trims or mouldings as required.

Typical Solo Plank Ceiling Installation on Drywall T Bar

11. The Solo plank product can be ceiling mounted on drywall T bar. The installation of Solo planks on drywall T bar utilizes the starter and finisher plank similar to installation on hat channel or wood blocking. The starter and finisher plank is secured to the drywall T bar with screws from the plenum side of the installation. Note a hardboard shim is required to locate the starter panel at the correct mounting height.



12. Ensure that the Solo plank holes are aligned on the ceiling face side of the installation. Tap each successive plank tongue into the previously installed board groove. Check that each plank is level and plumb, secure the groove edge with Solo clips and framing screws attached to the drywall T bar.



Solo Plank Attachment to Drywall T Bar (Typical)